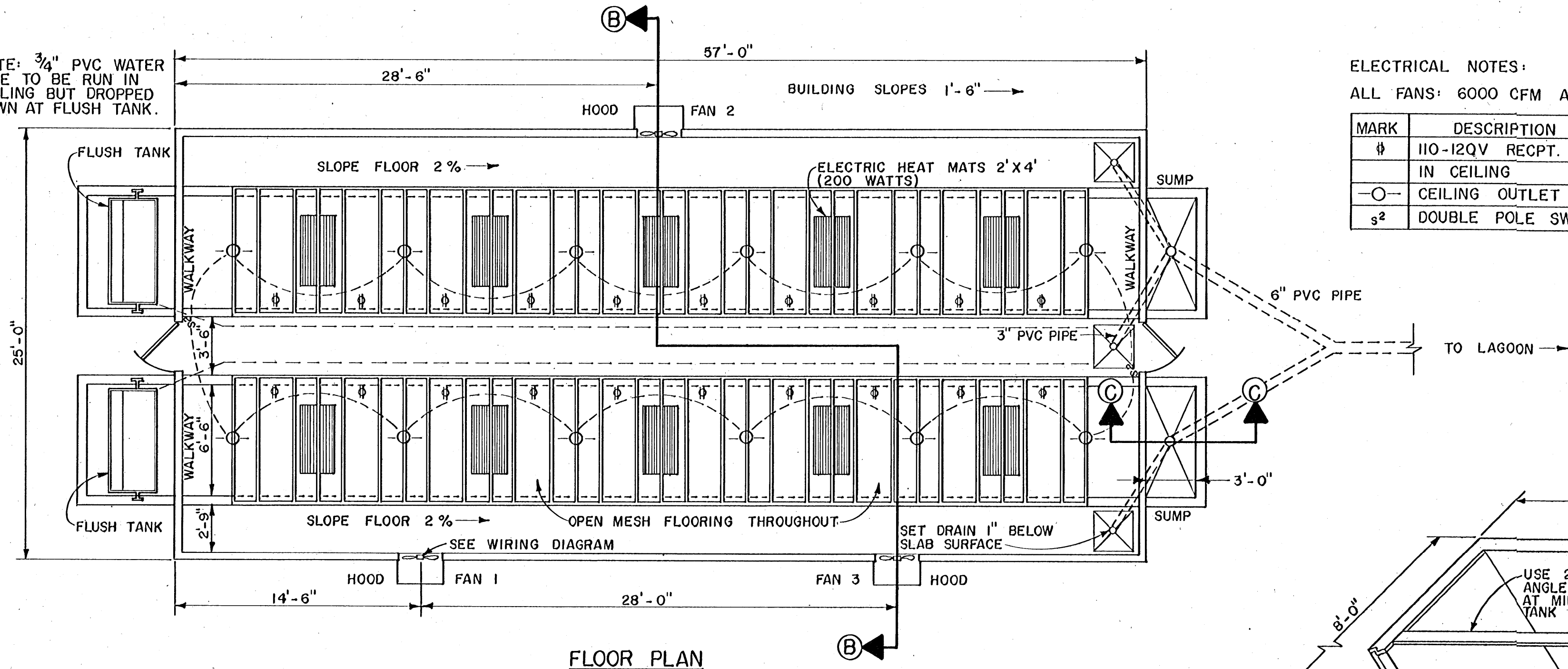


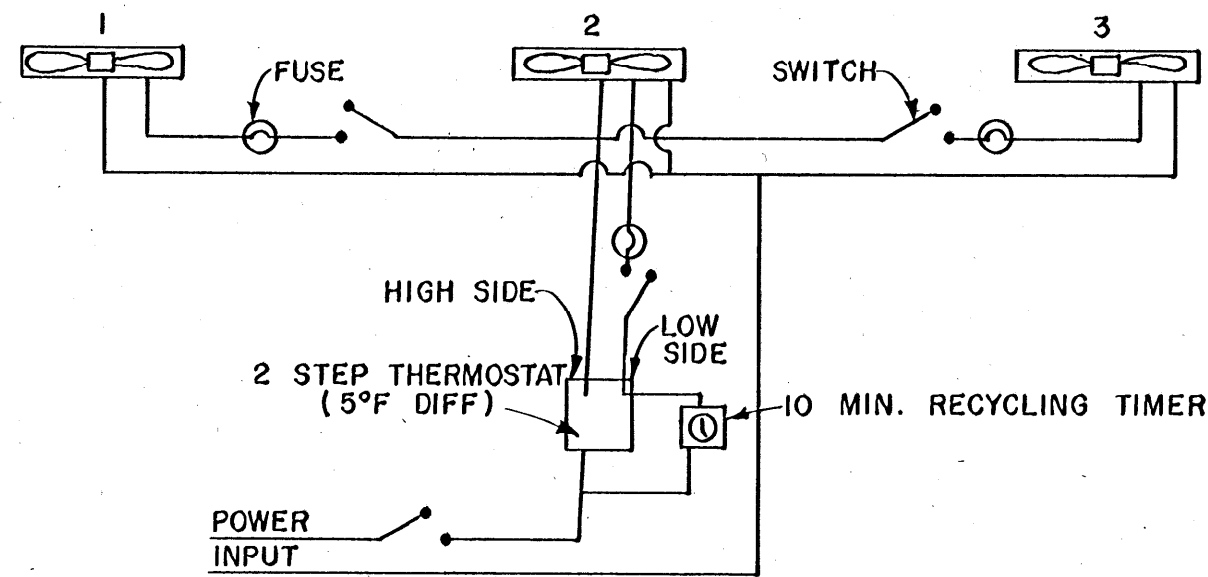
NOTE: 3/4" PVC WATER LINE TO BE RUN IN CEILING BUT DROPPED DOWN AT FLUSH TANK.



ELECTRICAL NOTES:  
ALL FANS: 6000 CFM AT 1/8" S.P.

MARK	DESCRIPTION
φ	110-120V RECPT. MOUNTED IN CEILING
○	CEILING OUTLET
s <sup>2</sup>	DOUBLE POLE SWITCH

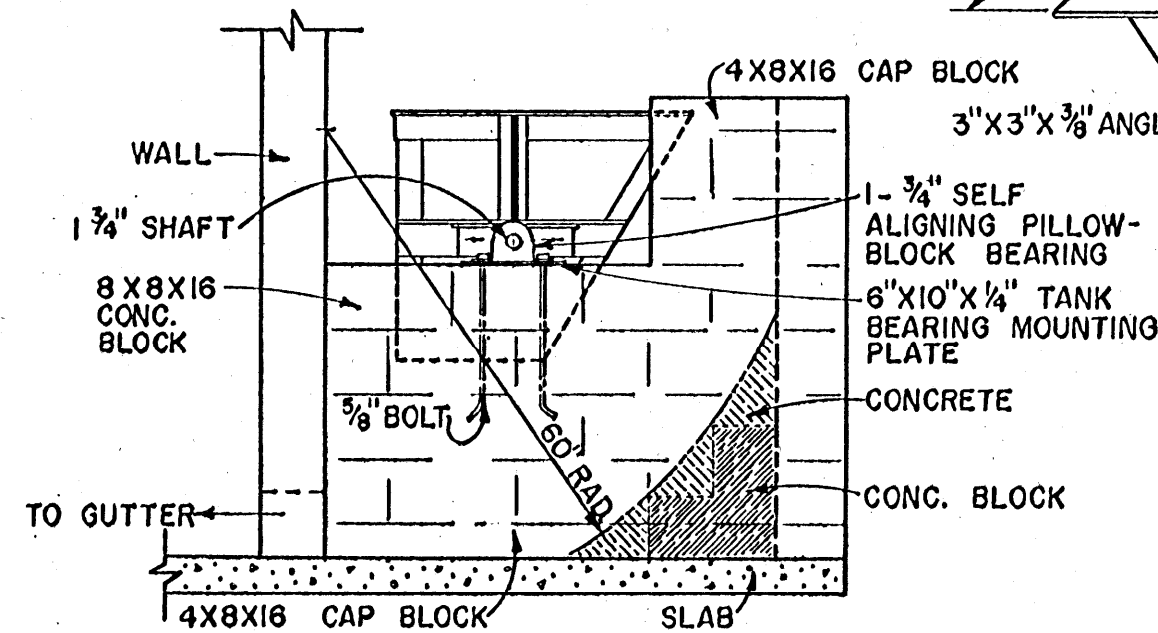
FLOOR PLAN  
SCALE 3/16" = 1'-0"



WIRING DIAGRAM

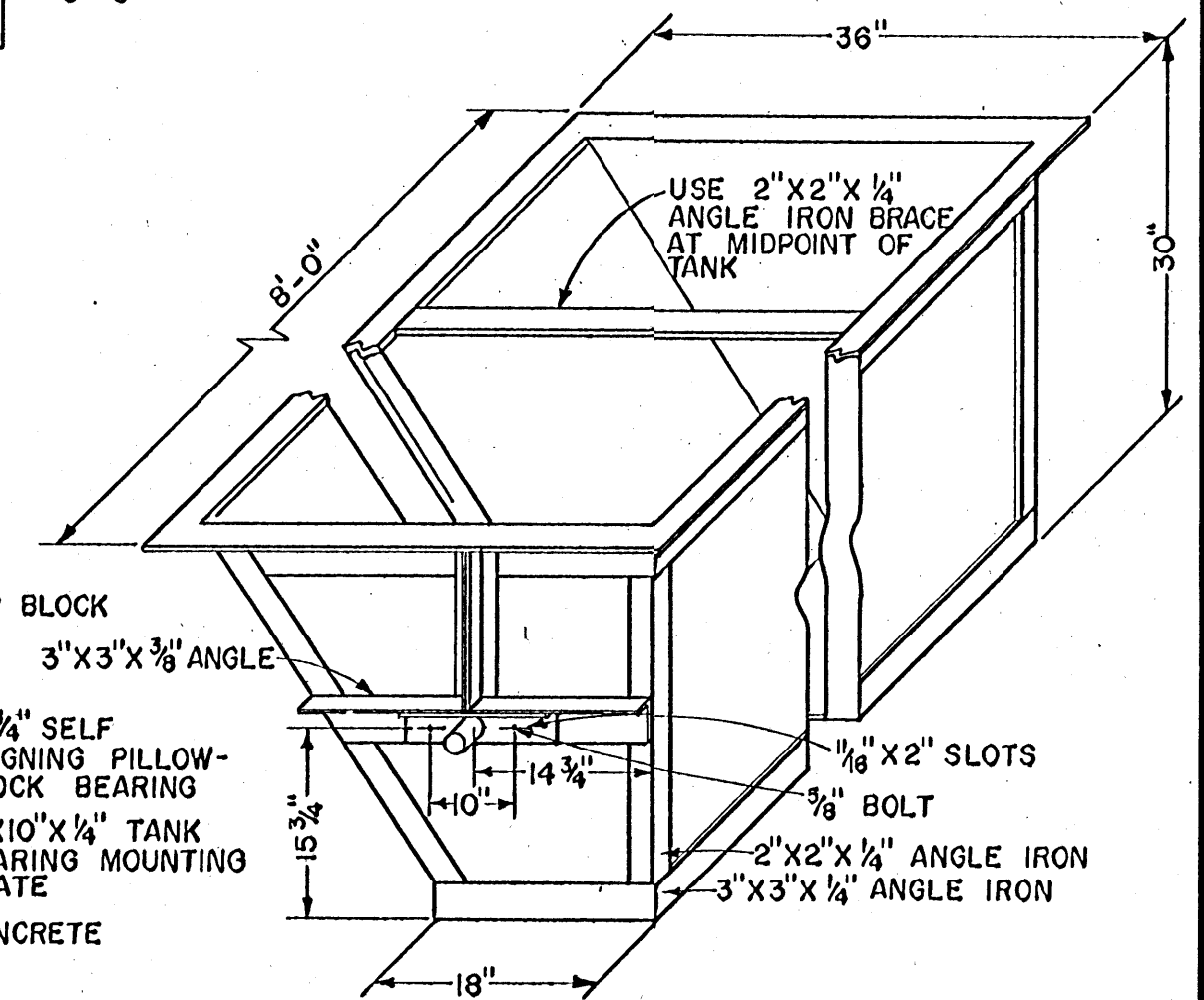
COLD WEATHER:  
USE TIME CLOCK TO OPERATE FAN 2 APPROX. 20% OF TIME, (2 MIN. IN 10) FOR MOISTURE REMOVAL AND TO MAINTAIN 55-70% HUMIDITY IN BLDG. MAINTAIN TEMPERATURE AT 60-70°F.

HOT WEATHER:  
FAN 2 CONTROLLED BY LOW SIDE OF 5° DIFFERENTIAL STEP THERMOSTAT, FANS 1 & 3 CONTROLLED BY HIGH SIDE.



FLUSH TANK

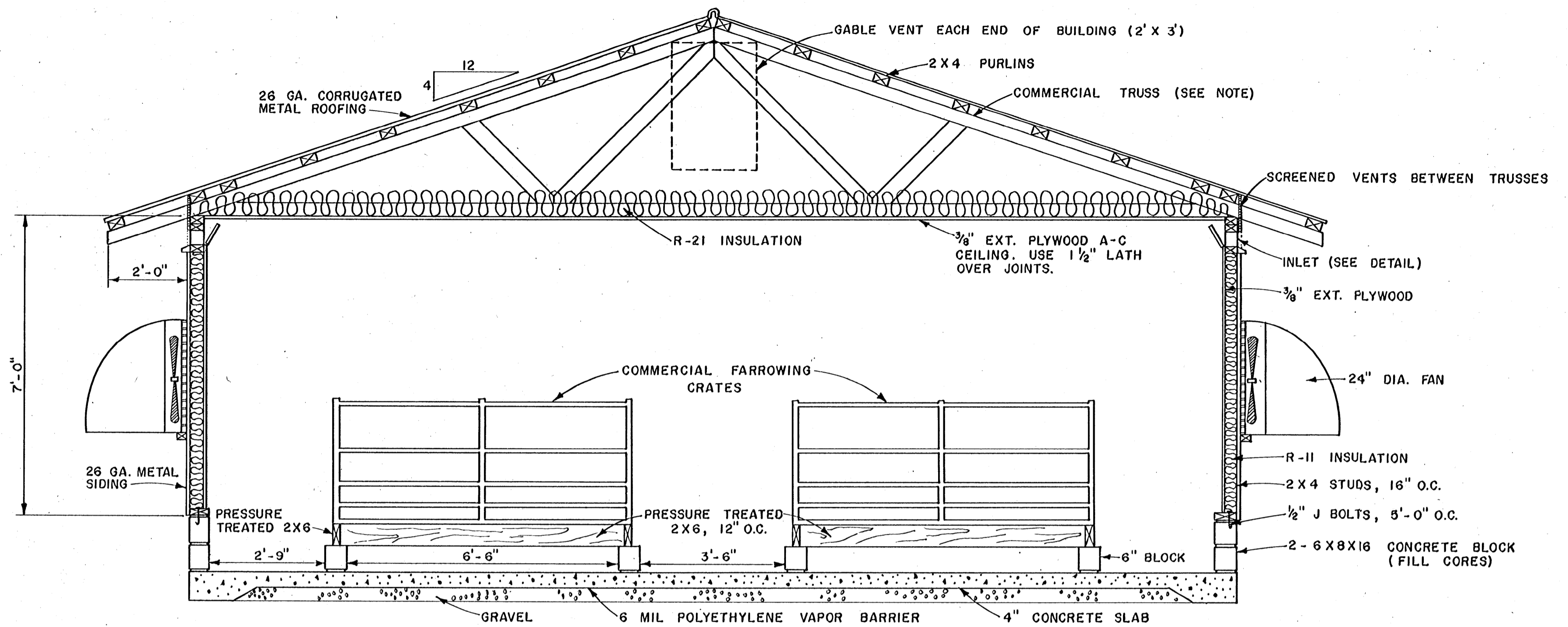
- NOTES FOR FLUSH TANK:
- FORM CURVED SPLASH SURFACE WITH CONCRETE BLOCKS AND CONCRETE.
  - FILL ALL CORES WITH CONCRETE. PLACE 5/8" BOLTS WHEN FILLING CORES.
  - USE 12 GAUGE SHEET METAL. WELD CONTINUOUSLY TO AVOID LEAKAGE. TACK-WELD FRAME TO TANK WITH 2" WELDS SPACED 8" O.C.
  - USE EPOXY PAINT WITH APPROPRIATE PRIMER.
  - ADJUST SHAFT AS NEEDED TO BALANCE TANK. WEIGHTS MAY BE NEEDED FOR FINAL BALANCING.



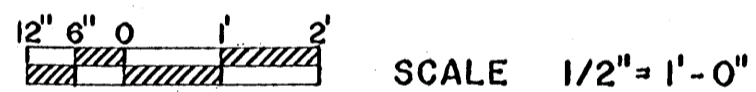
COOPERATIVE EXTENSION WORK IN  
AGRICULTURE AND HOME ECONOMICS  
STATE OF MISSISSIPPI  
MISSISSIPPI STATE UNIVERSITY  
AND  
UNITED STATES DEPARTMENT OF AGRICULTURE COOPERATING

FARROWING HOUSE - 20 STALLS

AL '83 EX. 6352 SHEET 1 OF 3

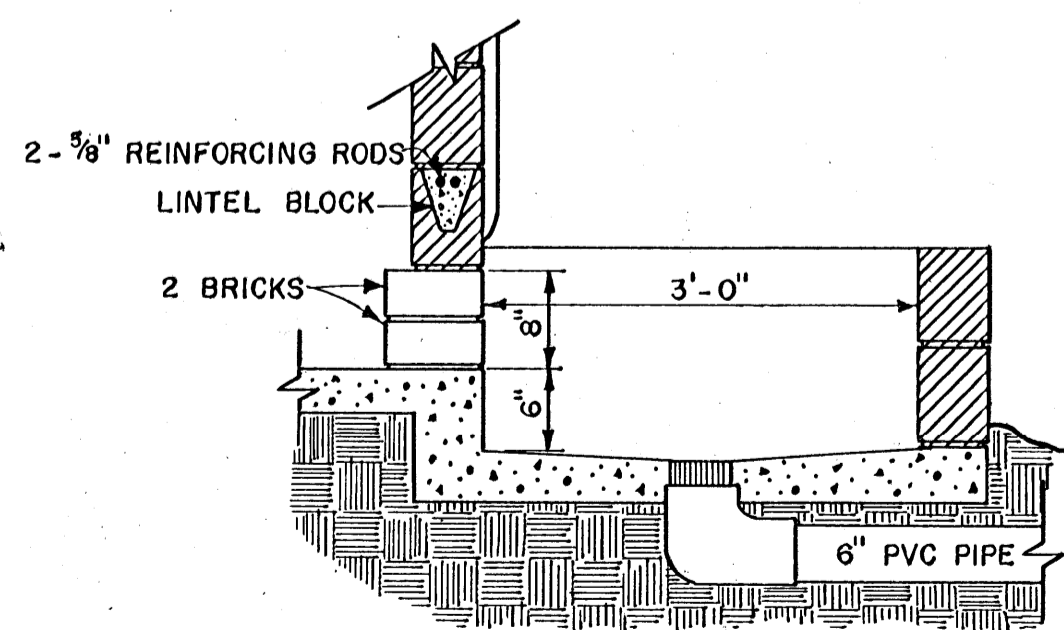


SECTION B-B

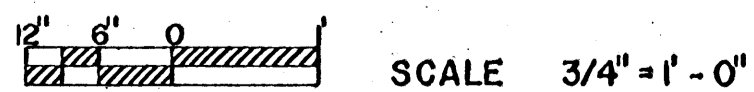


SCALE 1/2" = 1'-0"

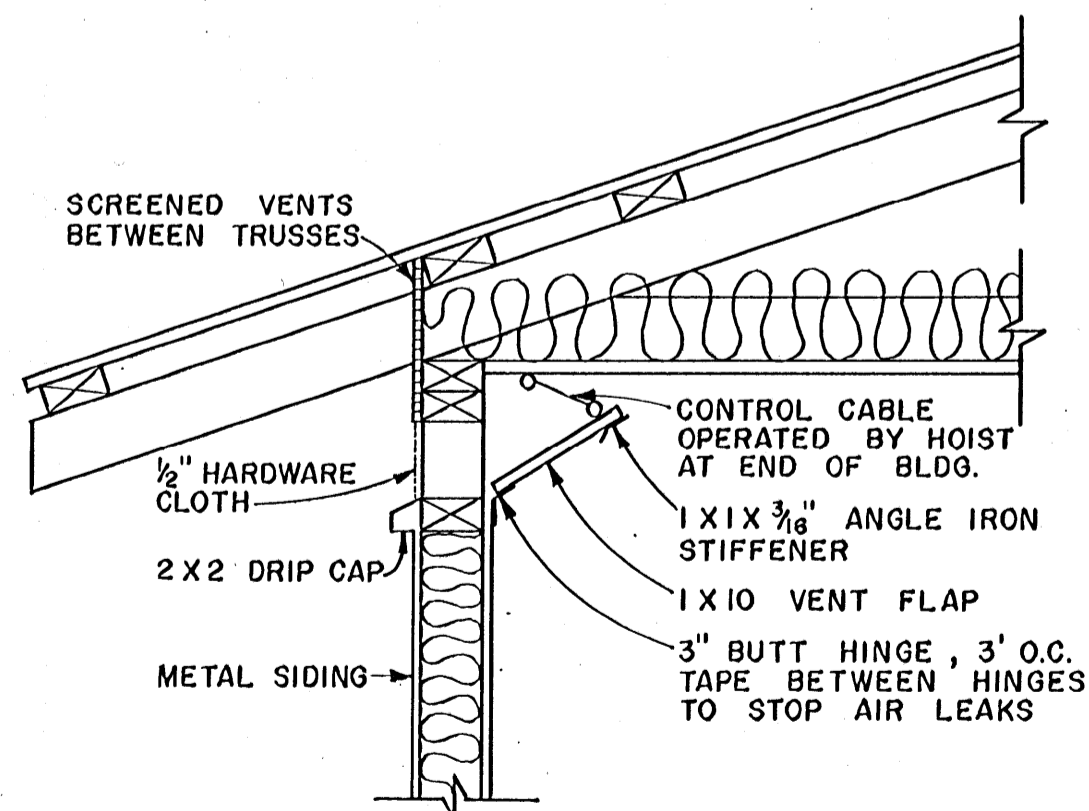
NOTE:  
SELECT TRUSS TO SUPPORT  
LOCAL SNOW AND WIND LOADS.



SECTION C-C



SCALE 3/4" = 1'-0"



INLET DETAIL



SCALE 1" = 1'-0"

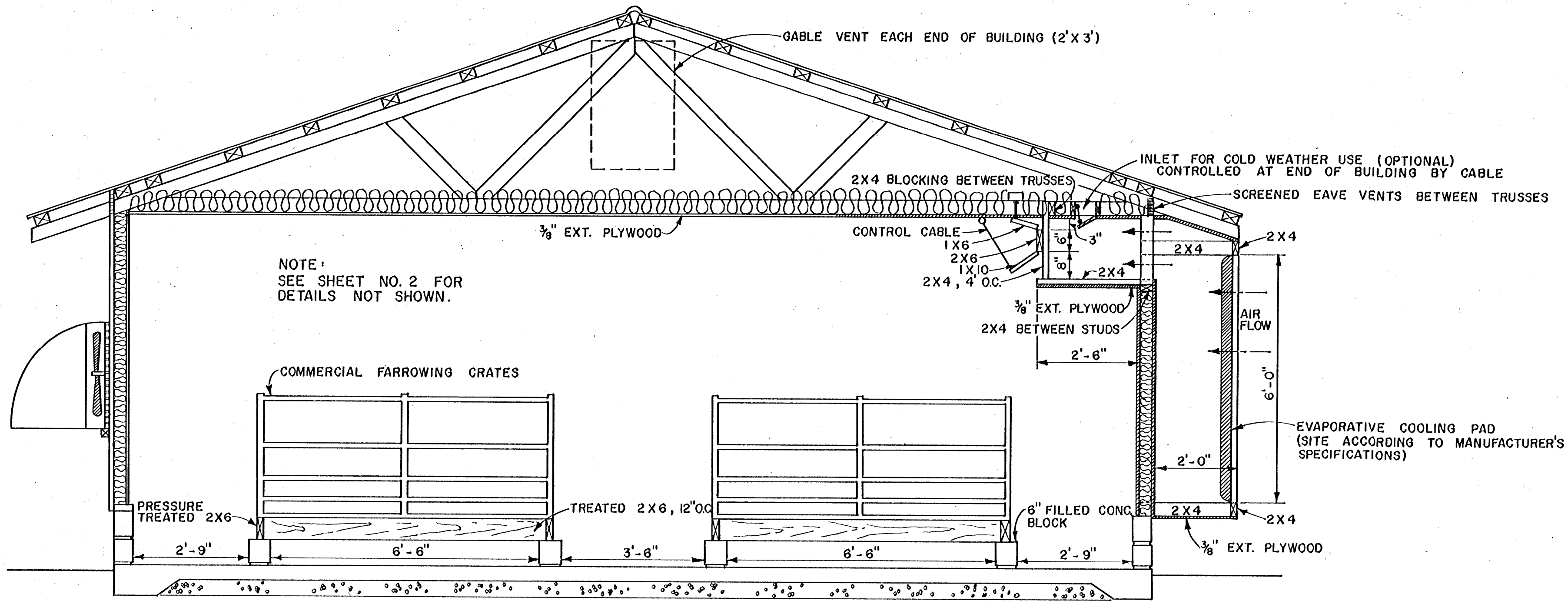
COOPERATIVE EXTENSION WORK IN  
AGRICULTURE AND HOME ECONOMICS  
STATE OF MISSISSIPPI  
MISSISSIPPI STATE UNIVERSITY  
AND  
UNITED STATES DEPARTMENT OF AGRICULTURE COOPERATING

FARROWING HOUSE - 20 STALLS

AL '83

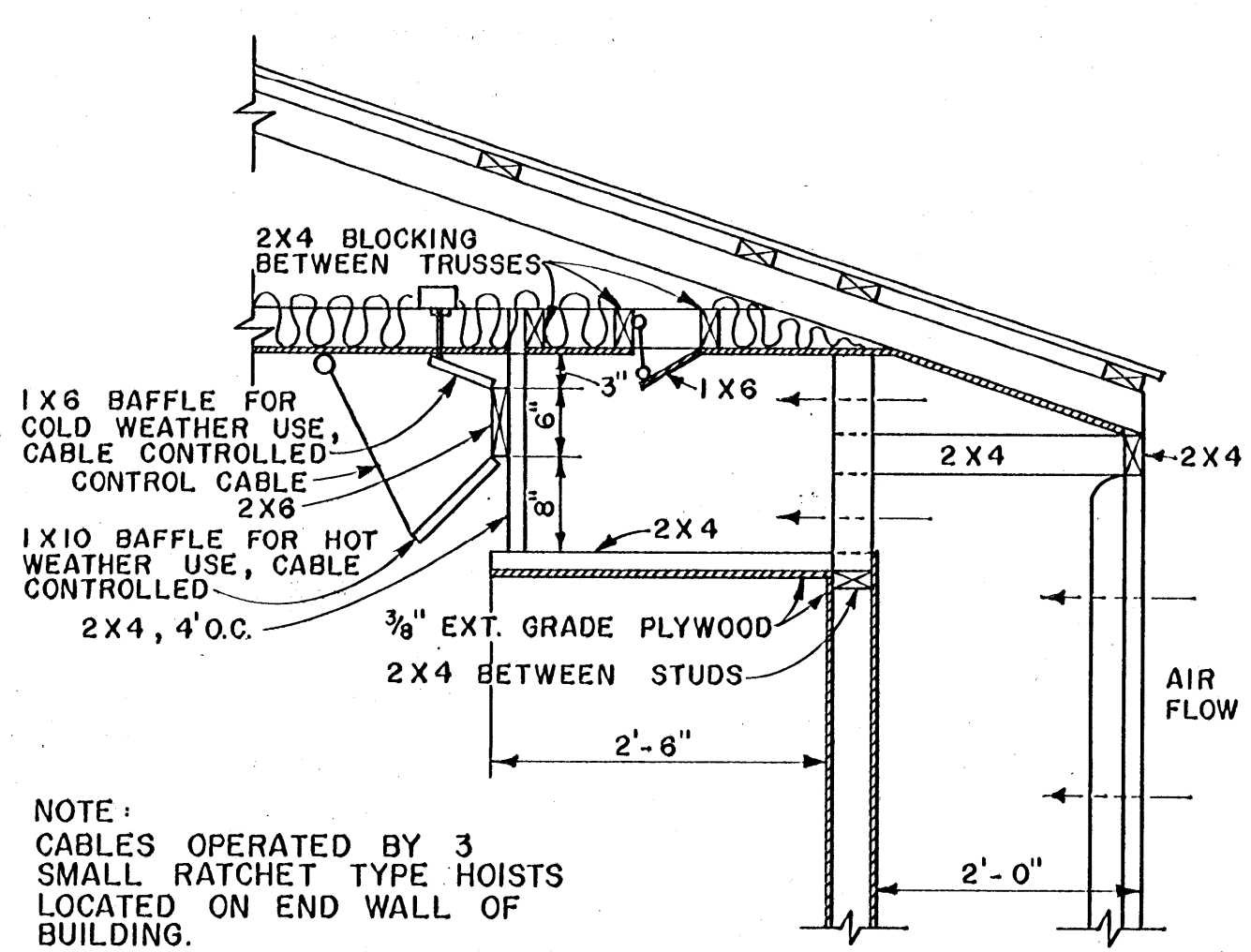
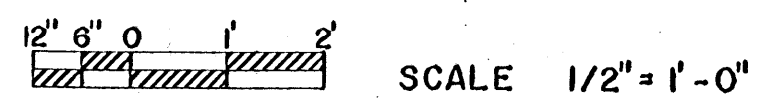
EX. 6352

SHEET 2 OF 3

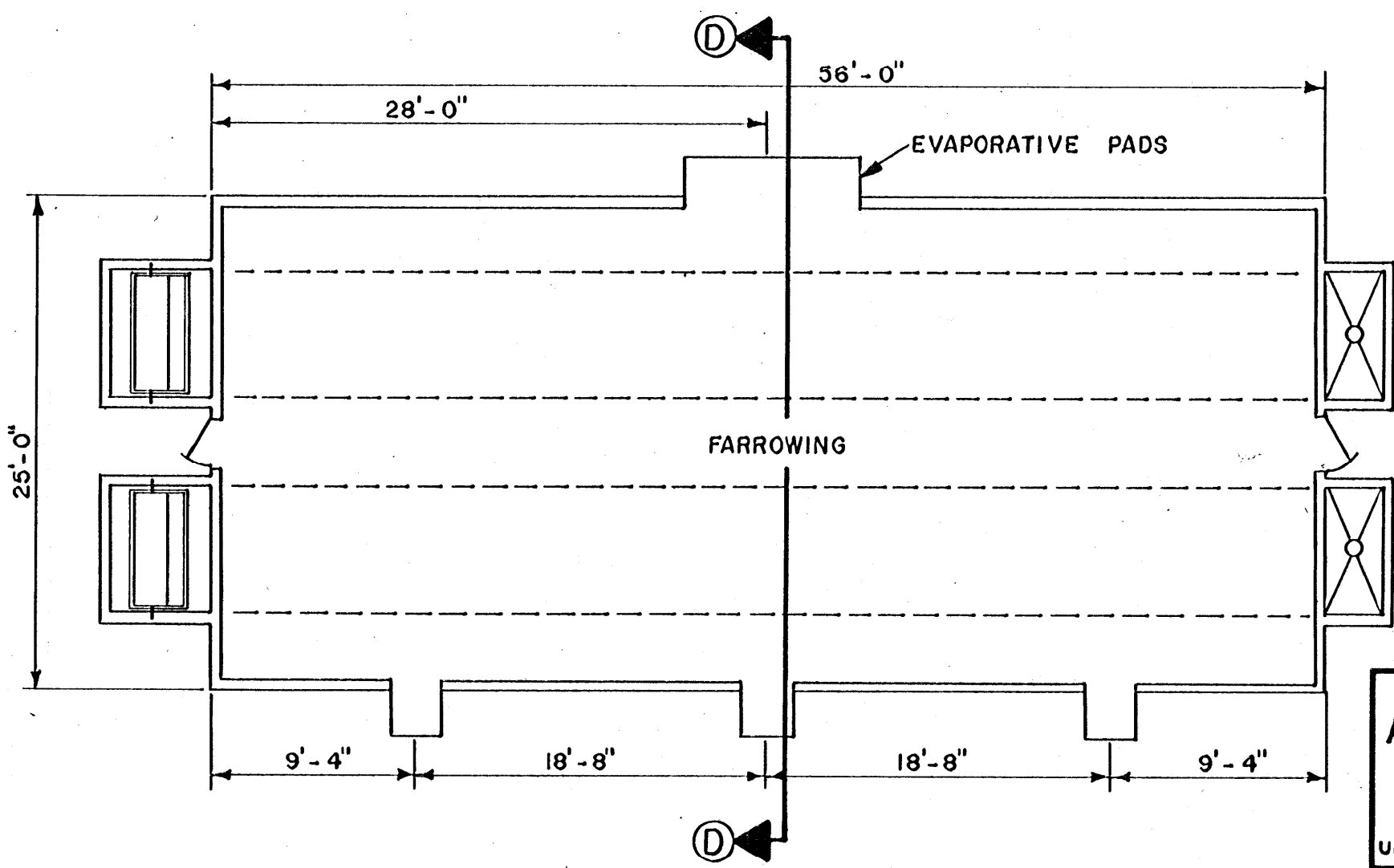
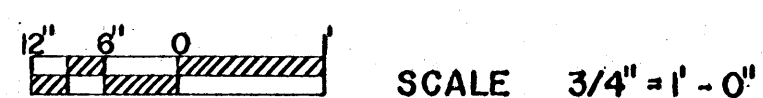


NOTE:  
SEE SHEET NO. 2 FOR  
DETAILS NOT SHOWN.

SECTION D-D



INLET DETAIL



FLOOR PLAN & FAN ARRANGEMENT

NOT TO SCALE

ALTERNATIVE  
DESIGN  
FOR  
EVAPORATIVE  
COOLING

COOPERATIVE EXTENSION WORK IN AGRICULTURE AND HOME ECONOMICS		
STATE OF MISSISSIPPI		
MISSISSIPPI STATE UNIVERSITY		
AND UNITED STATES DEPARTMENT OF AGRICULTURE COOPERATING		
FARROWING HOUSE - 20 STALLS		
AL '83	EX. 6352	SHEET 3 OF 3