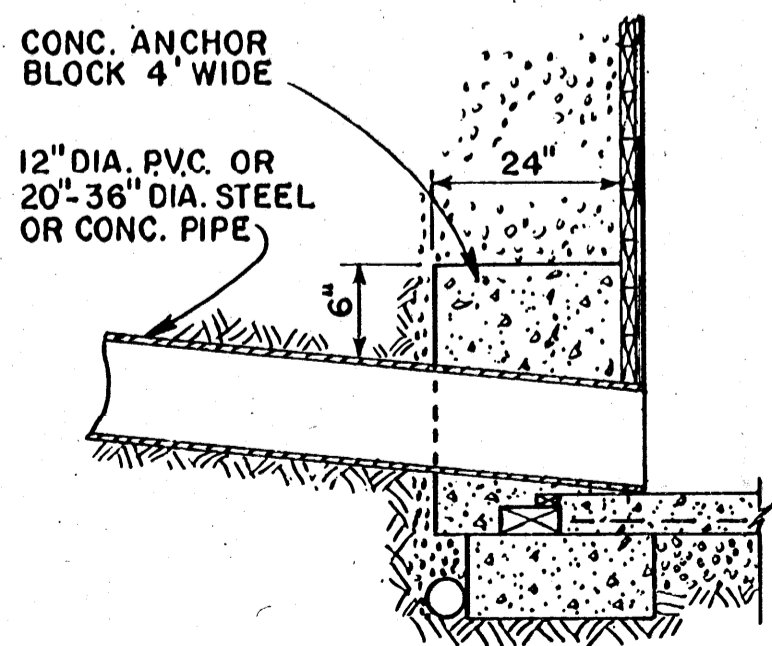


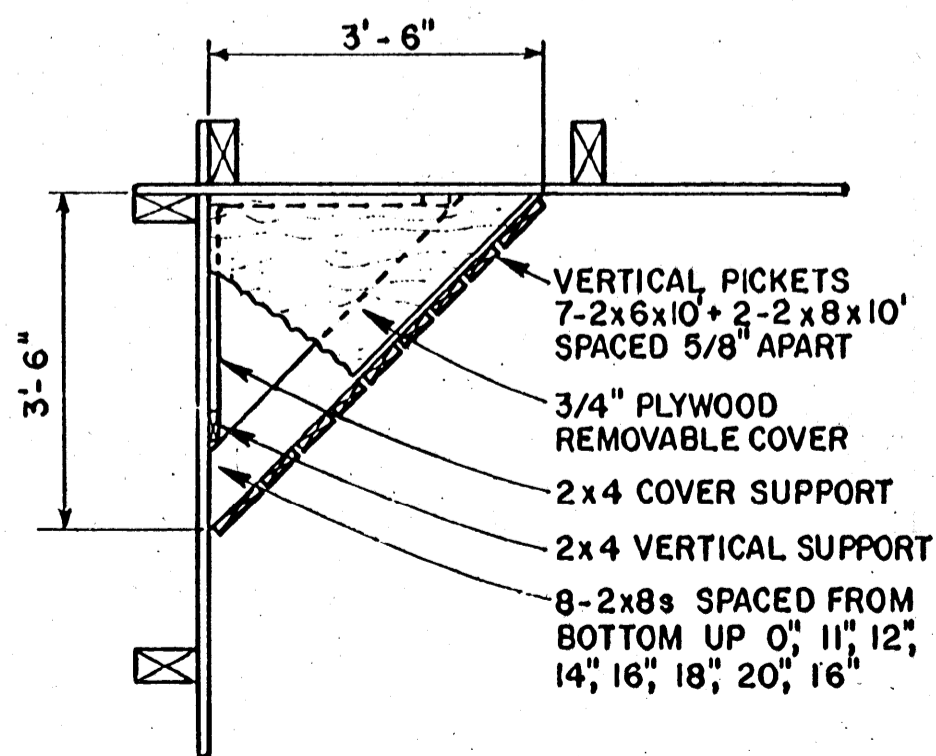
LENGTH NEEDED FOR 200 DAY STORAGE - 10 ft. DEEP			
NO. COWS	INPUT RATE (ft ³ /cow-day)		
	1.8 ^①	2.0 ^②	2.3 ^③
80	60	64	76
100	72	80	92
120	88	96	112
140	104	112	128
160	116	128	148
180	132	144	168
200	144	160	184

- ① MANURE ONLY
- ② MANURE + MILKING CENTER WASTE
- ③ MANURE + MILKING CENTER WASTE + PRECIPITATION

PLAN
SCALE 0' 4' 8' 12' 1/8" = 1'



INLET PIPE DETAIL A



PICKET DAM DETAIL B

SCALE 12' 6" 0' 1' 2' 1/2" = 1'

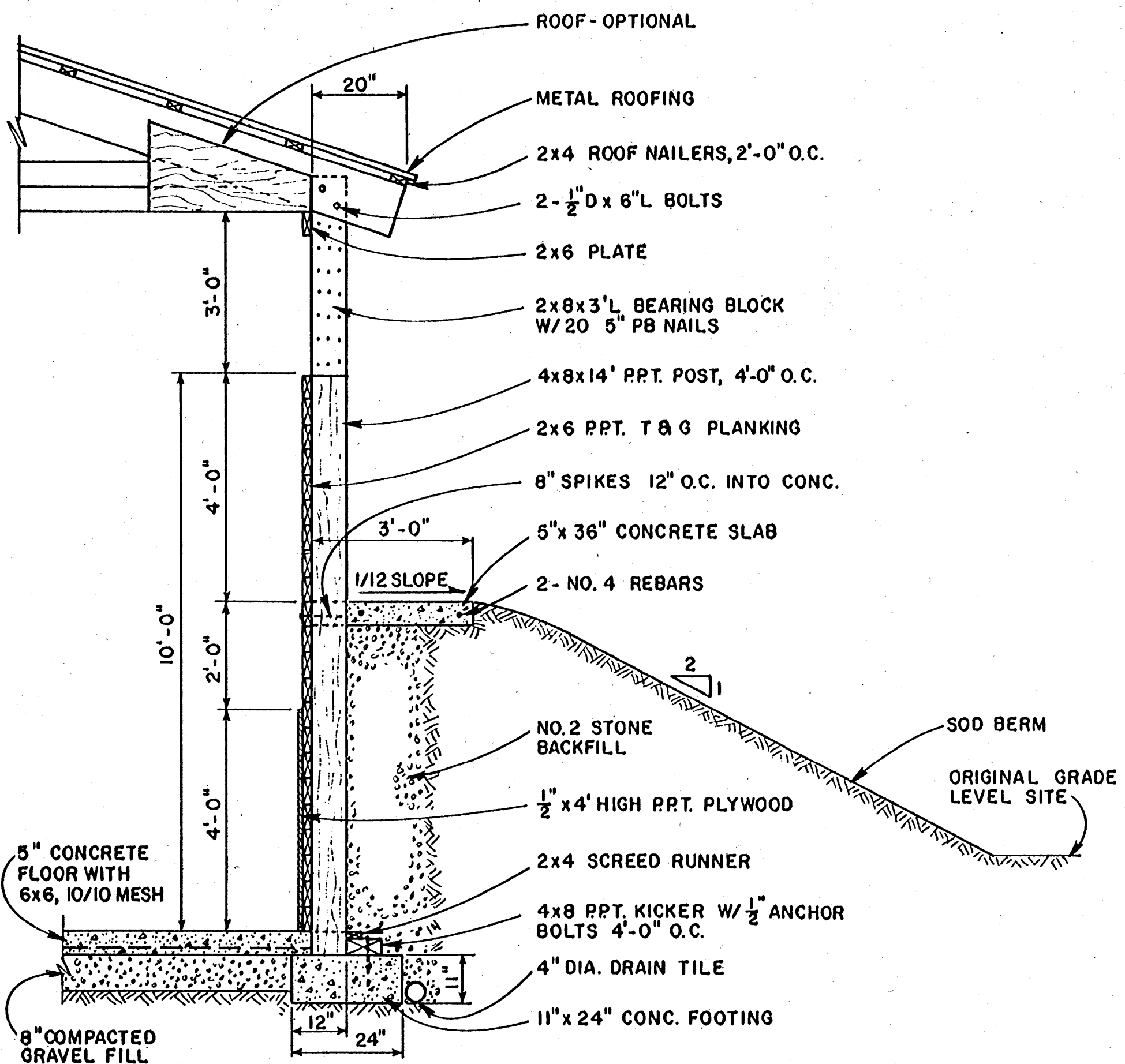
NOTES:

1. EXCAVATE TO GOOD BEARING, 2.5 ft. BELOW GRADE TO PROVIDE FILL FOR BERM.
2. SPREAD & COMPACT FILL IN 8 INCH LAYERS.
3. PROVIDE DRAINAGE COMPLETELY AROUND WALLS.
4. ALL LUMBER IN CONTACT WITH MANURE OR SOIL SHOULD BE PRESSURE PRESERVATIVE TREATED (PRT).
5. ADD TEMPORARY INTERIOR BRACING WHEN BACK-FILLING BERM AND PLACING CONC. BERM SLAB.
6. IF ROOF OPTION IS OMITTED ADD 4 CORNER PICKET DAMS & PROVIDE FOR LIQUID REMOVAL.
7. DESIGN BASED ON EQUIV. FLUID PRESSURE OF 60 lbs/ft³.
8. DESIGN DEPTH OF 10 FEET.

COOPERATIVE EXTENSION WORK IN
AGRICULTURE AND HOME ECONOMICS
STATE OF MISSISSIPPI
MISSISSIPPI STATE UNIVERSITY
AND
UNITED STATES DEPARTMENT OF AGRICULTURE COOPERATING

MANURE STORAGE

NY '80 EX. 6338 SHEET 1 OF 3

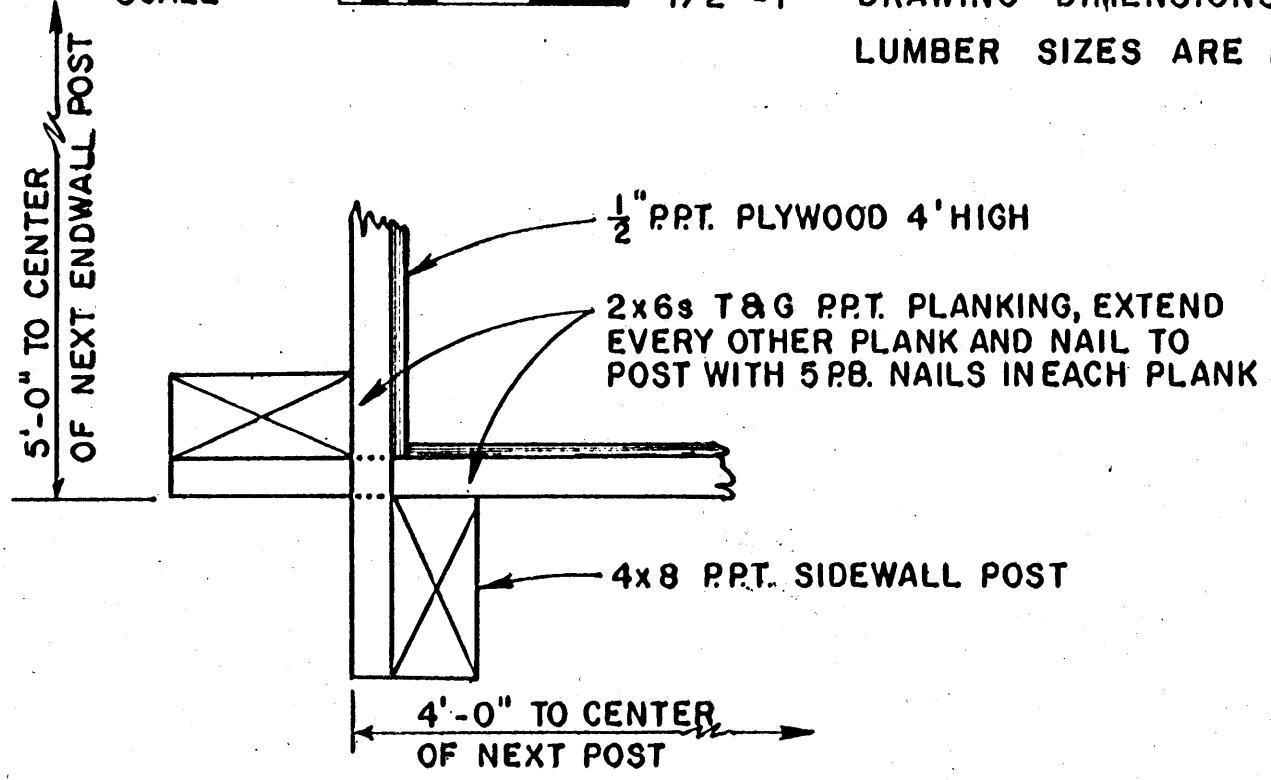


SIDEWALL SECTION C-C

SCALE 12" 6" 0 1' 2" 1/2" = 1'

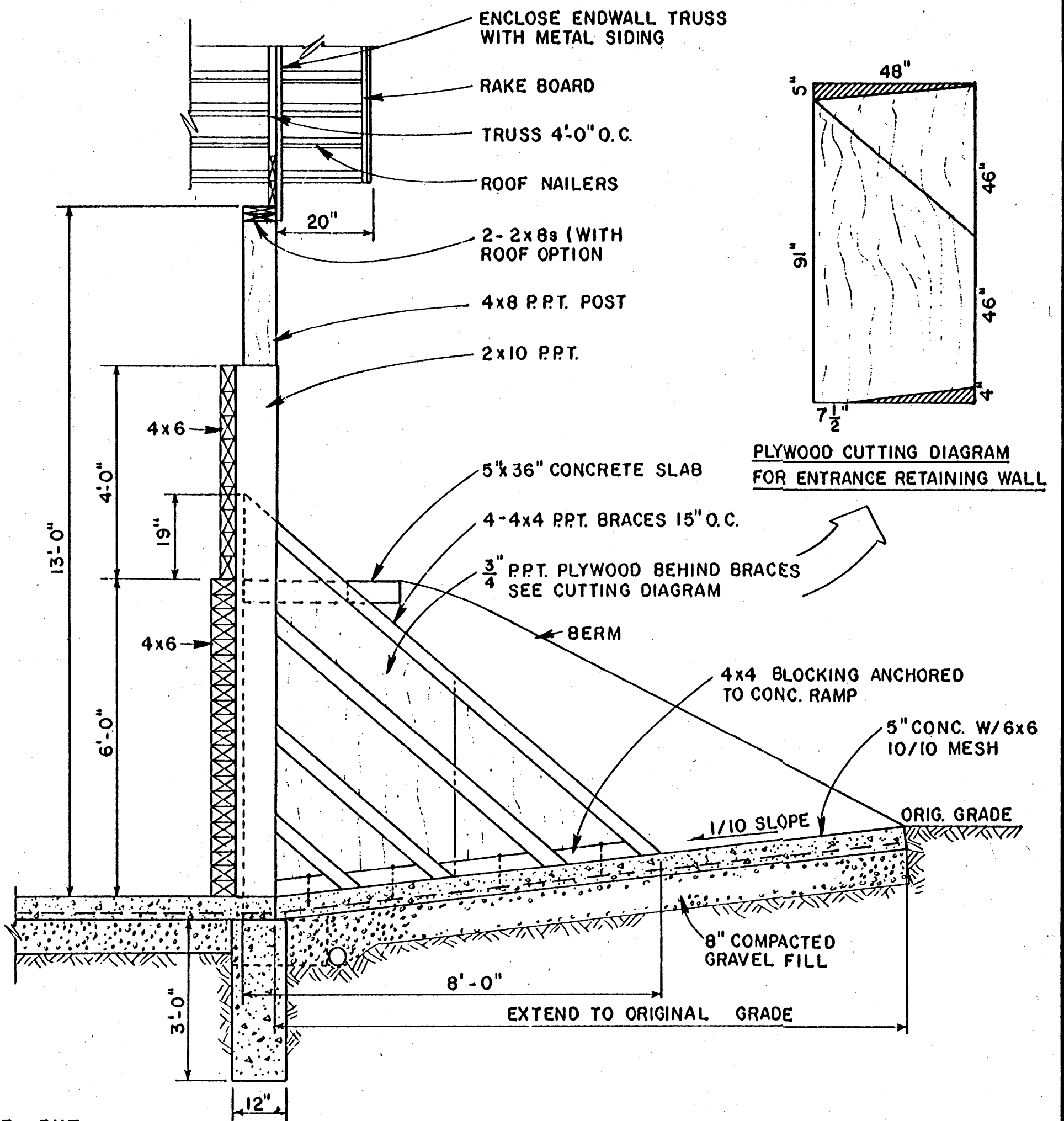
NOTE

DRAWING DIMENSIONS ARE TO ACTUAL SCALE, BUT LUMBER SIZES ARE NOMINALLY IDENTIFIED.



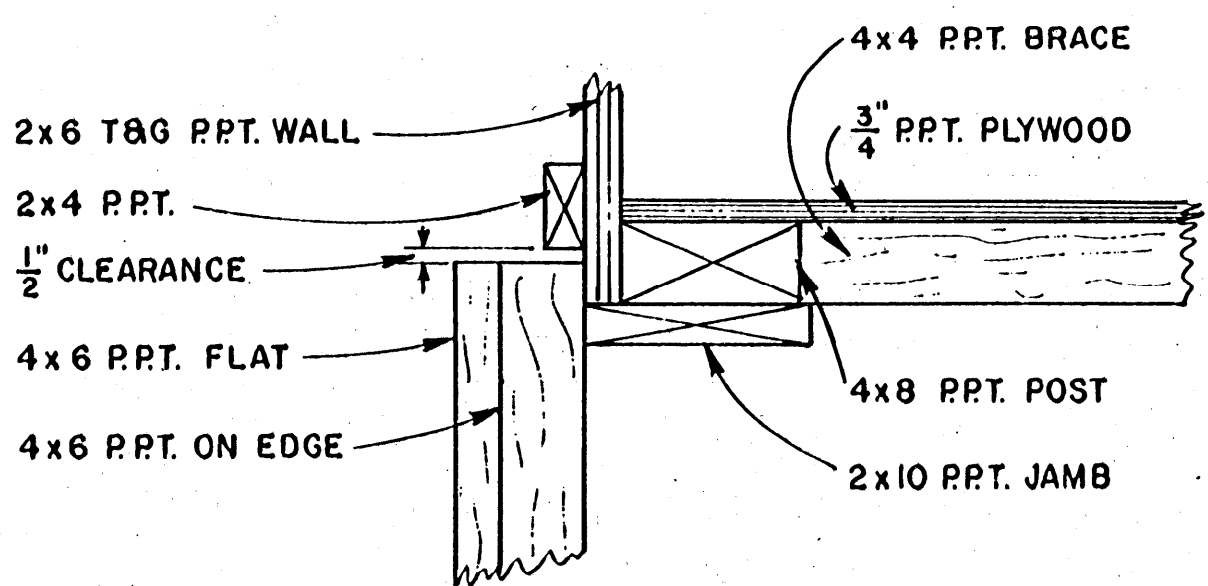
CORNER DETAIL E

SCALE 0 3" 6" 12" 1/8" = 1"



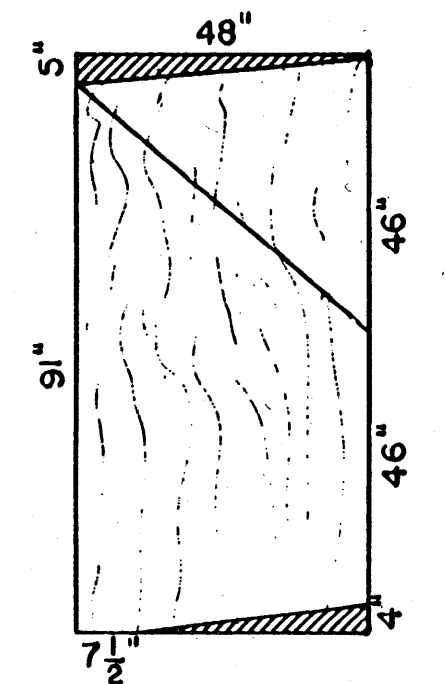
MANURE BARRIER & ENTRANCE DETAIL D-D

SCALE 12" 6" 0 1' 2" 1/2" = 1'



BARRIER DETAIL F

SCALE 0 3" 6" 12" 1/8" = 1"



PLYWOOD CUTTING DIAGRAM FOR ENTRANCE RETAINING WALL

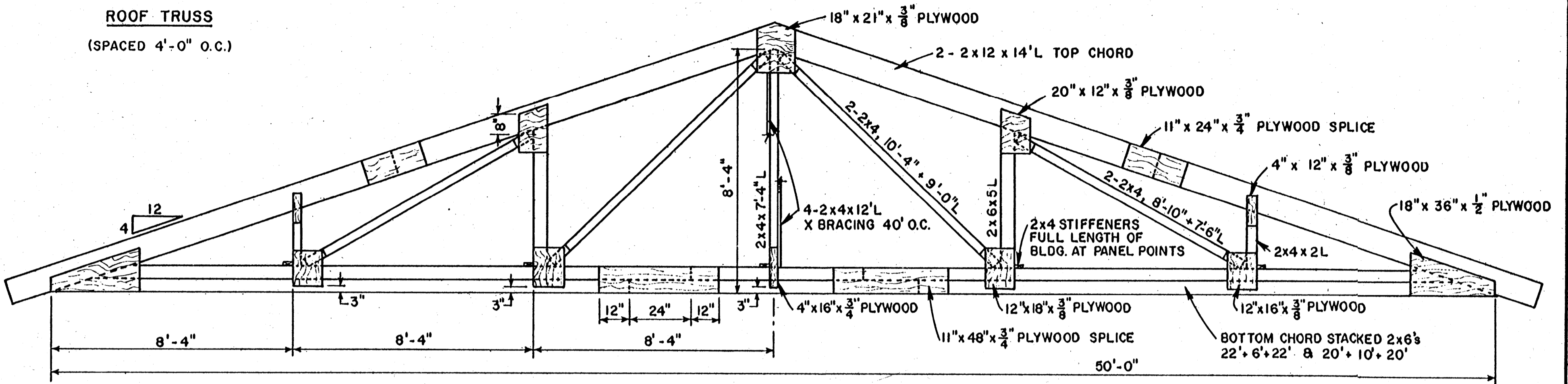
COOPERATIVE EXTENSION WORK IN AGRICULTURE AND HOME ECONOMICS
STATE OF MISSISSIPPI
MISSISSIPPI STATE UNIVERSITY
AND
UNITED STATES DEPARTMENT OF AGRICULTURE COOPERATING

MANURE STORAGE

NY '80 EX. 6338 SHEET 2 OF 3

ROOF TRUSS

(SPACED 4'-0" O.C.)



TRUSS

SCALE 12" 0 1' 2' 3' 4' 3/8" = 1'

NOTES

DESIGN SHOULD BE ADJUSTED TO FIT LOCAL CONDITIONS

1. TRUSS DESIGN ADAPTED FROM MIDWEST PLAN SERVICE MWPS-9, PAGE 54-55.

2. DESIGN FACTORS:

SPAN 50'-0"
 SPACING 4'-0" O.C.
 ROOF SLOPE 4/12
 ROOF SNOW LOAD 36 lb/ft²
 ROOF DEAD LOAD 7 lb/ft²

3. LUMBER

15% MOISTURE CONTENT, $f_b = 1500 \text{ psi}$
 2x6s & 2x12s HEM-FIR NO. 1
 2x4s NO. 2
 USE CLEAN SMOOTH LUMBER.
 DO NOT USE CUPPED OR TWISTED LUMBER.

4. PLYWOOD GUSSETS

USE EXTERIOR GRADE STRUCTURAL C-C PLYWOOD. GUSSETS ARE GLUED ON BOTH SIDES OF JOINTS.

5. GLUE

USE RESORCINOL RESIN GLUE FOLLOWING MANUFACTURERS DIRECTIONS FULLY.

6. JOINTS

SPACE ROWS OF 6d NAILS 2" APART ACROSS LUMBER GRAIN AND NAIL 4" APART WITH GRAIN. DO NOT PLACE NAILS WITHIN 3/4" OF LUMBERS EDGE.

7. LAP JOINTS

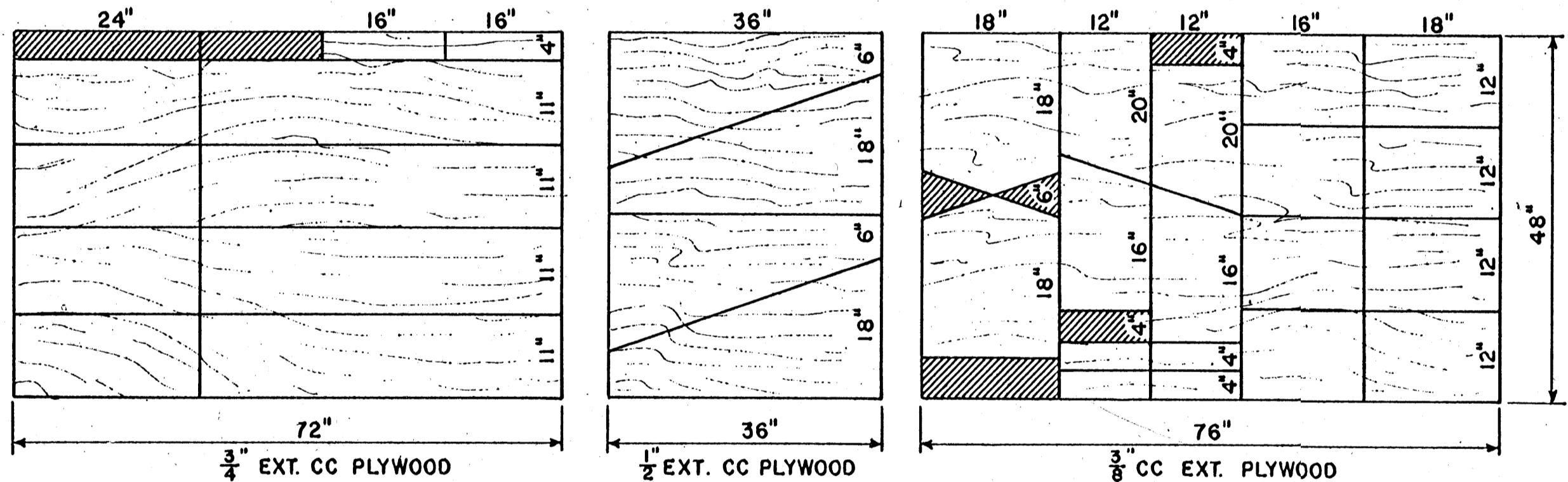
USE C-C EXT. PLYWOOD, AS WIDE AS WEB, GLUED AND NAILED TO EACH SIDE OF EACH JOINT. LAP AT LEAST 6" OVER THE WEB AND CHORD.

8. SPLICE

GLUE-NAIL TOP AND BOTTOM CHORD SPLICES TO EACH SIDE OF CHORD. USE 3/4" EXT. C-C PLYWOOD THE SAME WIDTH AS THE CHORD AND LAP AT LEAST 12" ON EACH MEMBER WITH FACE GRAIN PARALLEL TO THE CHORD.

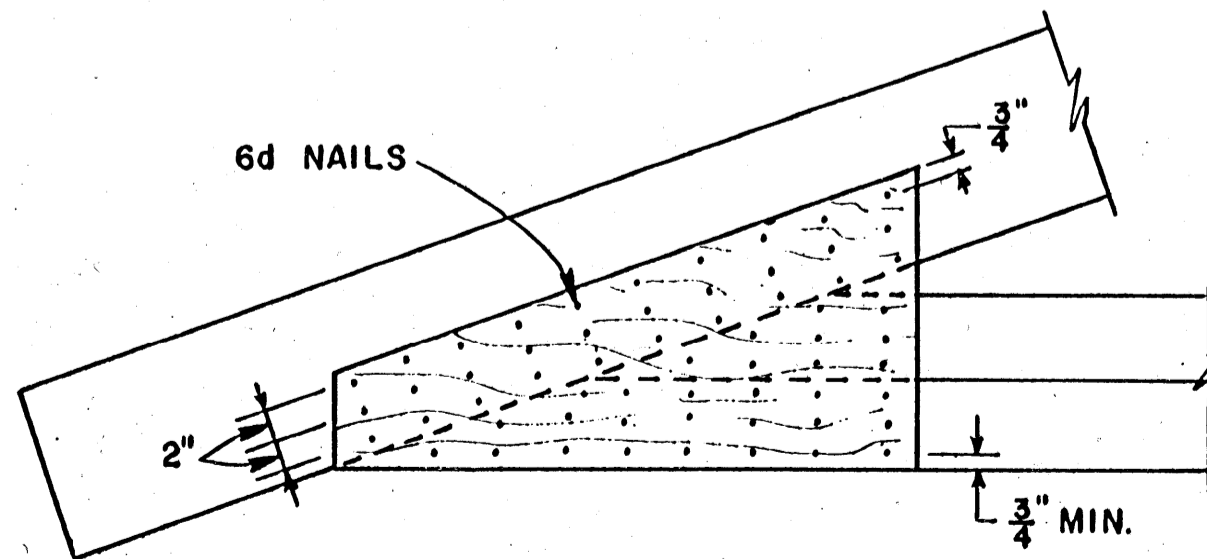
9. ASSEMBLY

ASSEMBLE IN JIG & APPLY GUSSETS ON ONE SIDE. INVERT & APPLY GUSSETS ON OTHER SIDE, AND NAIL ON THE DOUBLE WEBS. STORE TRUSS FLAT TO CURE AT LEAST 24 HOURS.



PLYWOOD GUSSET CUTTING DIAGRAM FOR ONE TRUSS

SCALE 12" 6" 0 1' 2' 3/4" = 1'



HEEL GUSSET NAILING DIAGRAM

SCALE 12" 6" 0 12" 1" = 1'

COOPERATIVE EXTENSION WORK IN
 AGRICULTURE AND HOME ECONOMICS
 STATE OF MISSISSIPPI
 MISSISSIPPI STATE UNIVERSITY
 AND
 UNITED STATES DEPARTMENT OF AGRICULTURE COOPERATING

MANURE STORAGE

NY '80 EX. 6338 SHEET 3 OF 3