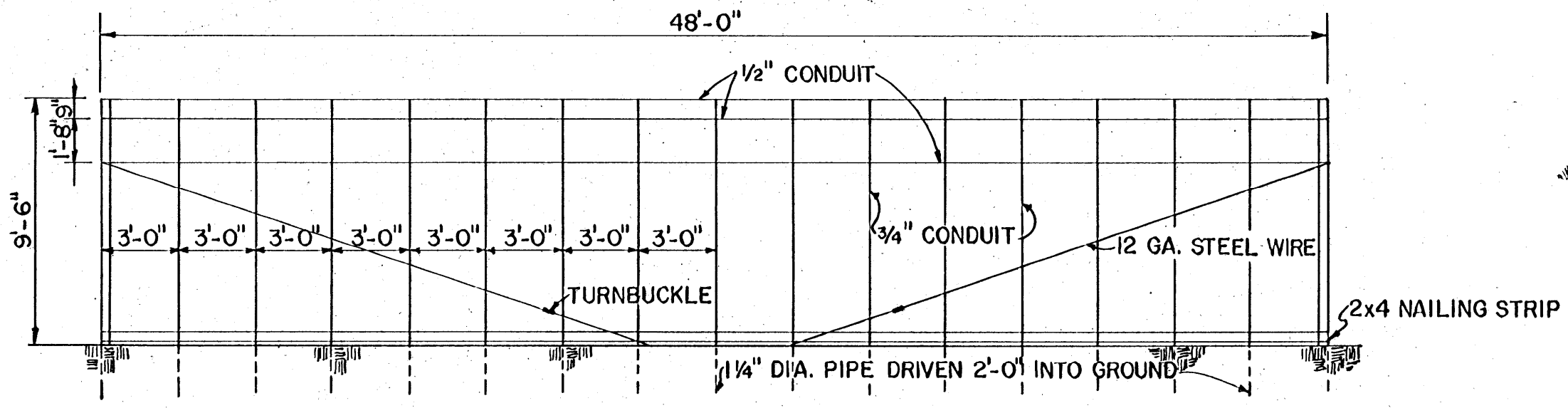
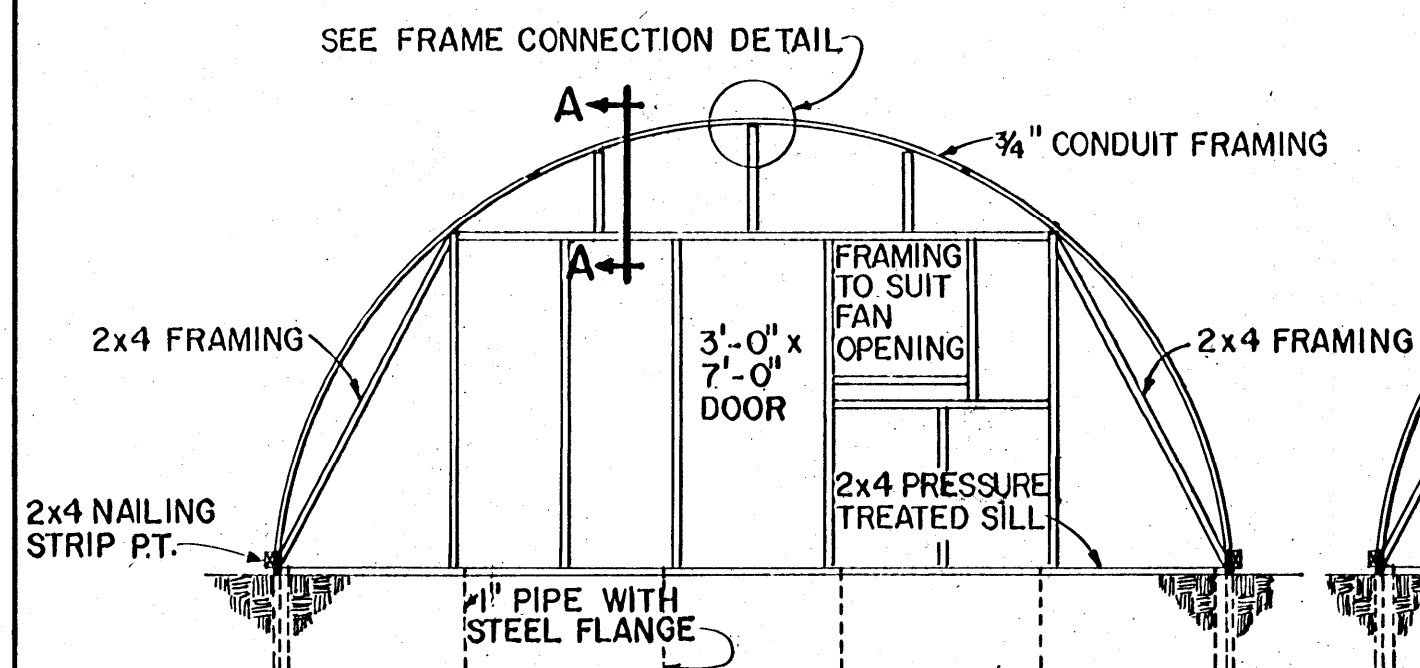


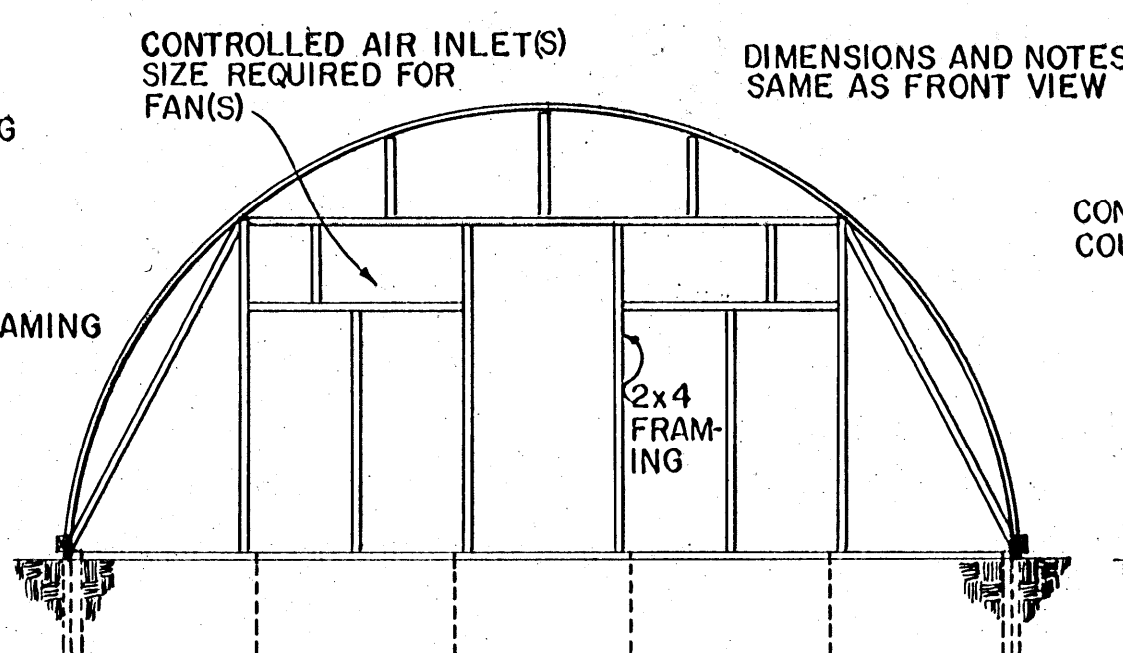
PERSPECTIVE
NOT TO SCALE



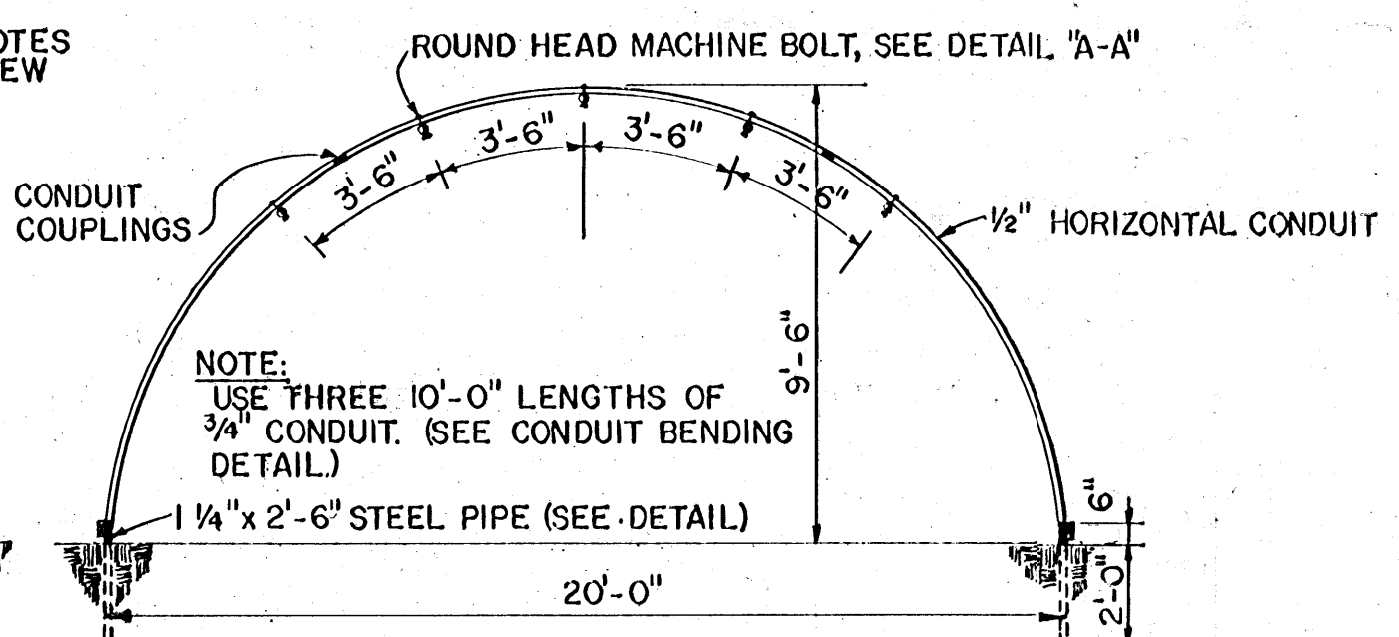
SIDE VIEW
SCALE: 3/16" = 1'-0"
12' 6" 0' 1' 2' 3' 4'



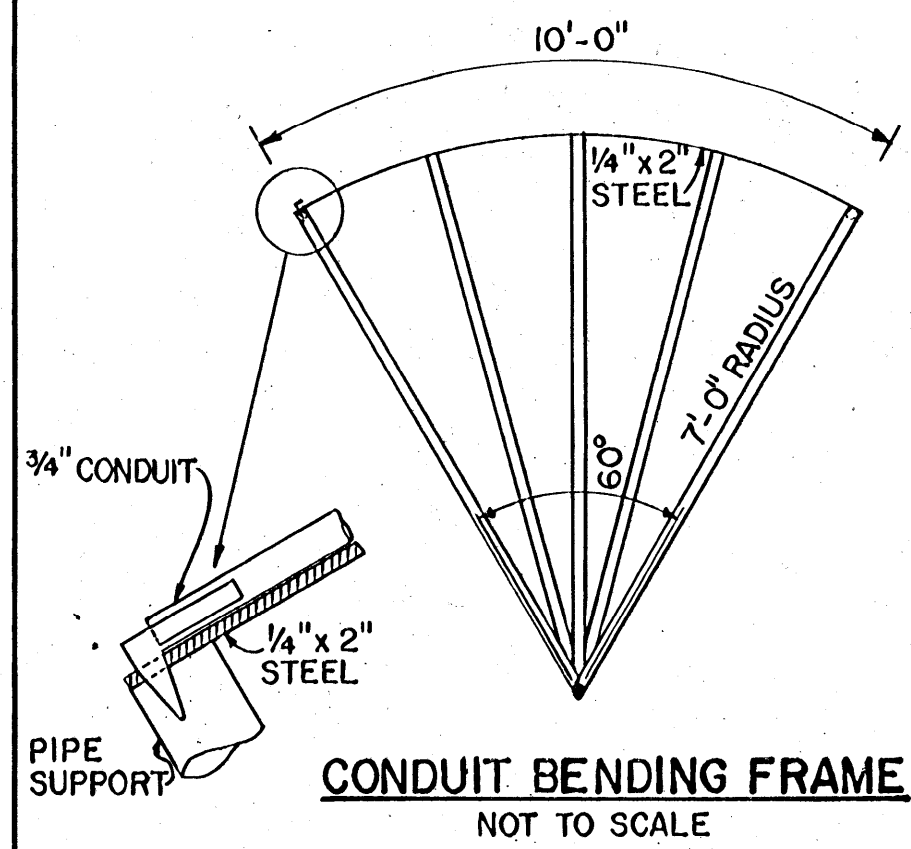
FRONT VIEW
SCALE: 1/4" = 1'-0"



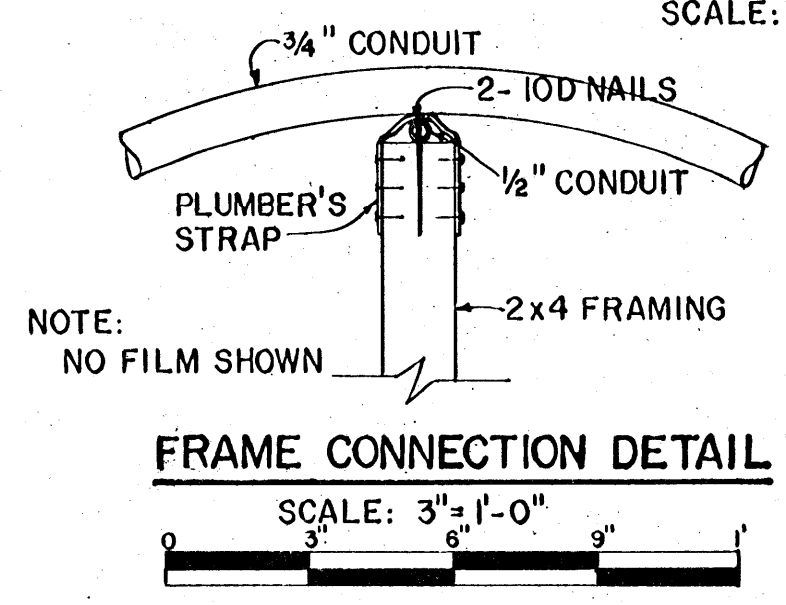
REAR VIEW
SCALE: 1/4" = 1'-0"



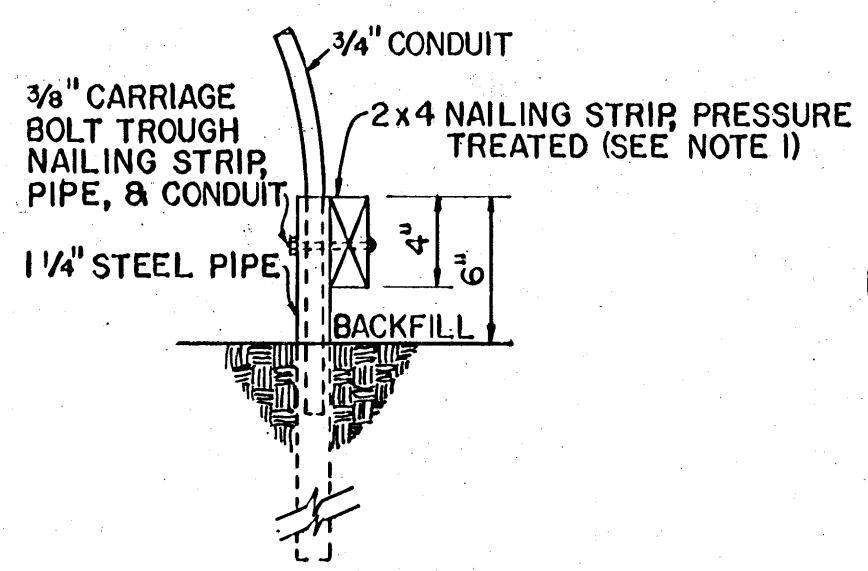
TYPICAL CONDUIT FRAME
SCALE: 1/4" = 1'-0"
12' 6" 0' 1' 2' 3' 4'



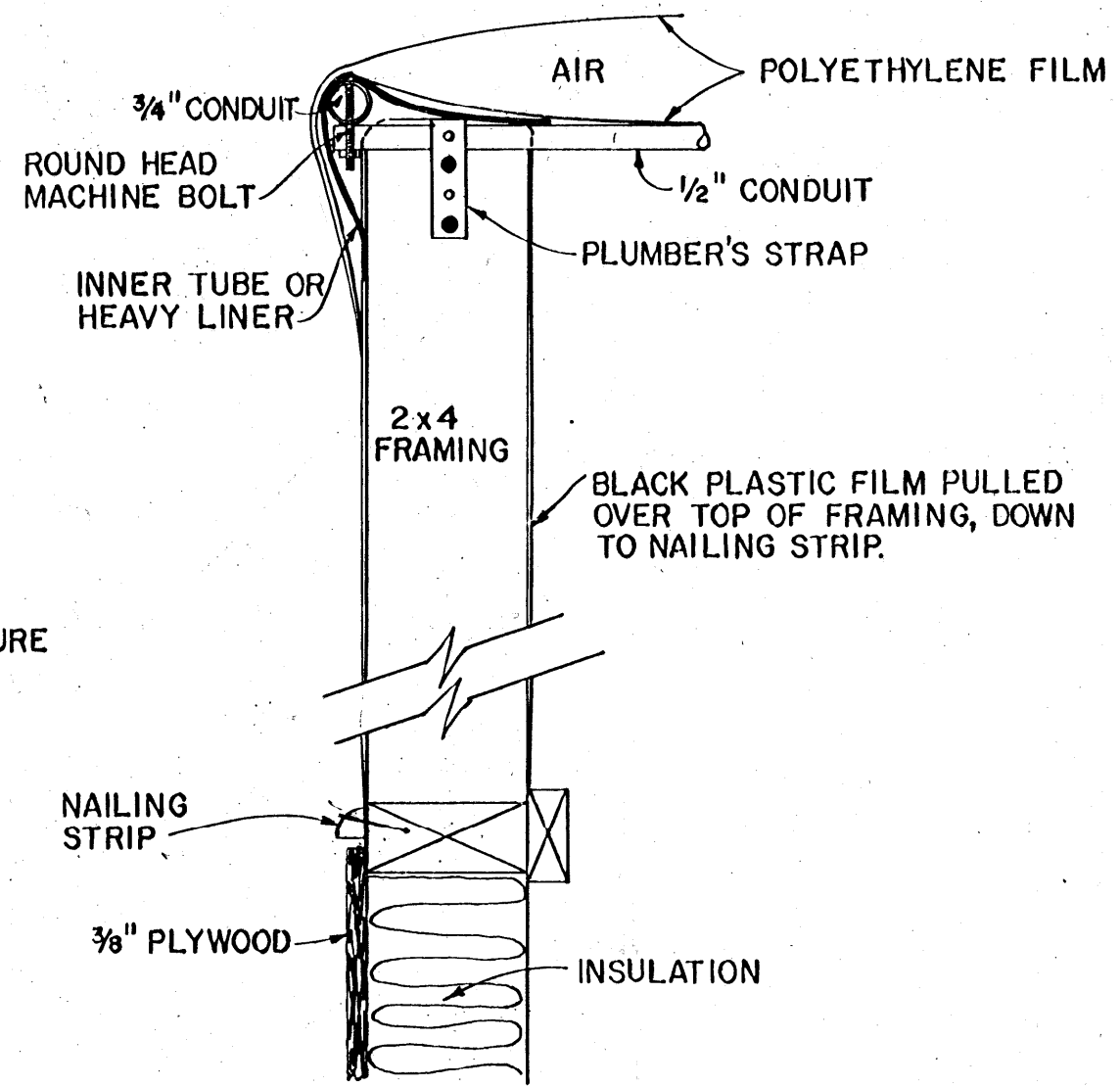
CONDUIT BENDING FRAME
NOT TO SCALE



FRAME CONNECTION DETAIL
SCALE: 3/8" = 1'-0"
0 3" 6" 9"



PIPE DETAIL
SCALE: 1 1/2" = 1'-0"
12" 9" 6" 3" 0"



DETAIL "A-A"
SCALE: 3" = 1'-0"

- NOTES:
- 1) DO NOT USE CREOSOTE OR "PENTA" TREATED WOOD.
 - 2) CONSULT LOCAL HEALTH AND BUILDING CODE AUTHORITIES BEFORE STARTING CONSTRUCTION.
 - 3) ROLL JIGS OR OTHER ARRANGEMENTS FOR BENDING CONDUIT CAN BE USED.

COOPERATIVE EXTENSION WORK IN
AGRICULTURE AND HOME ECONOMICS
STATE OF MISSISSIPPI
MISSISSIPPI STATE UNIVERSITY
AND
UNITED STATES DEPARTMENT OF AGRICULTURE COOPERATING

GREENHOUSE PIPE FRAME		
VA. '78	6312	SHEET 1 OF 1