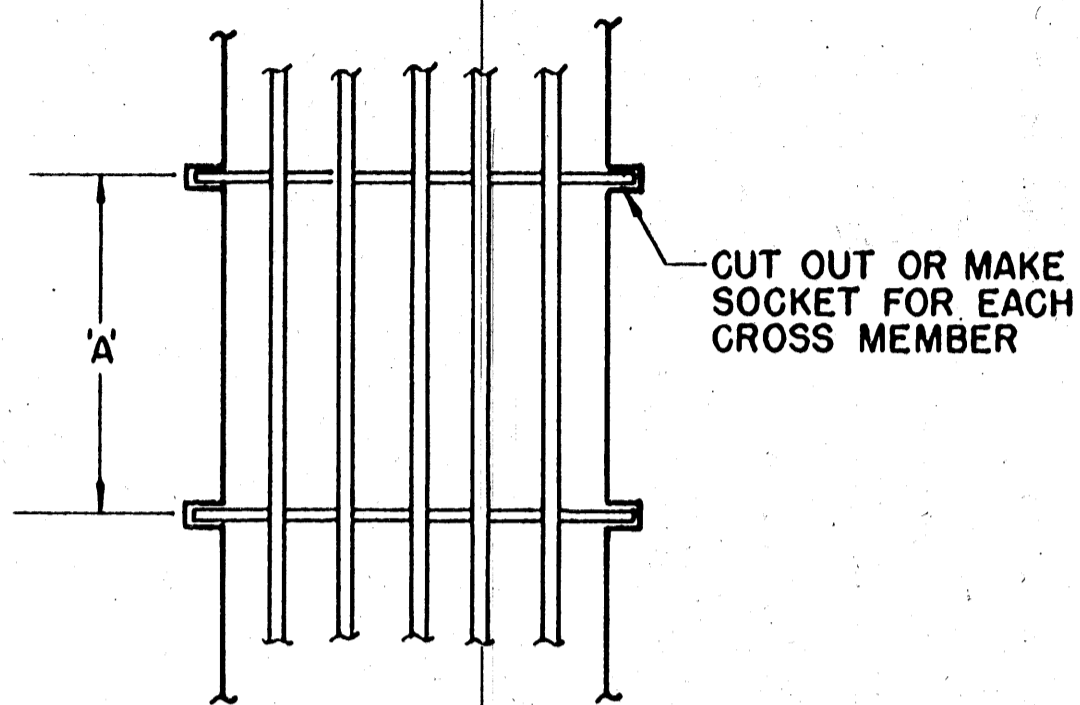
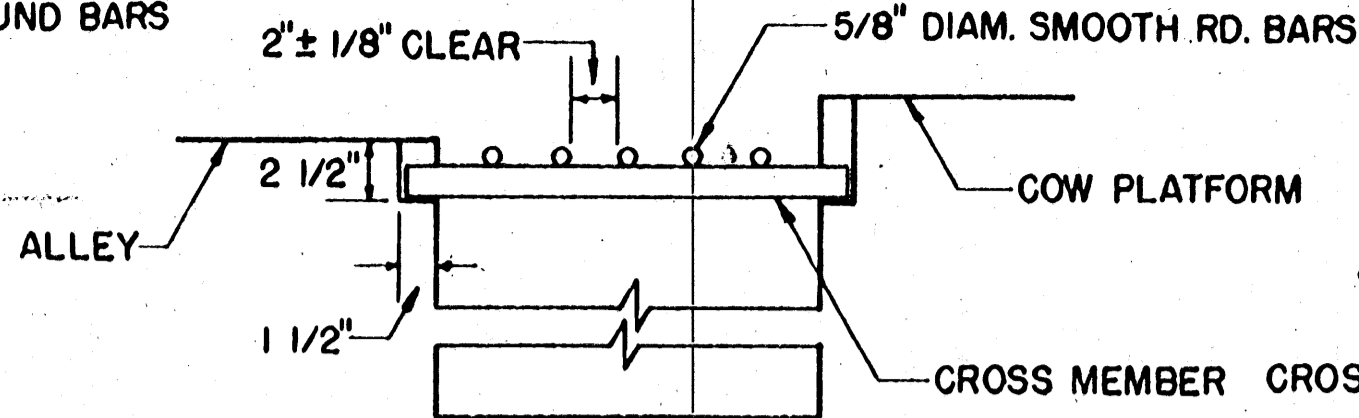
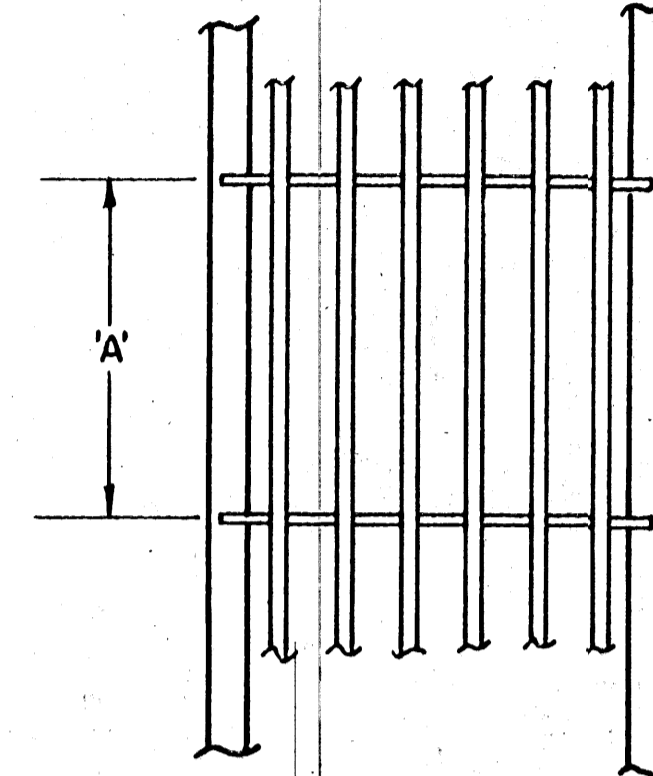
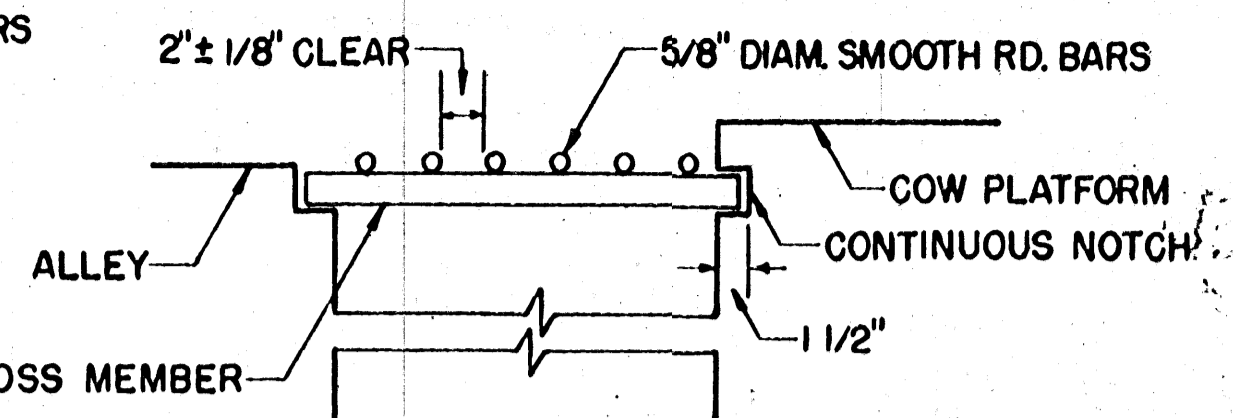


OPTION A

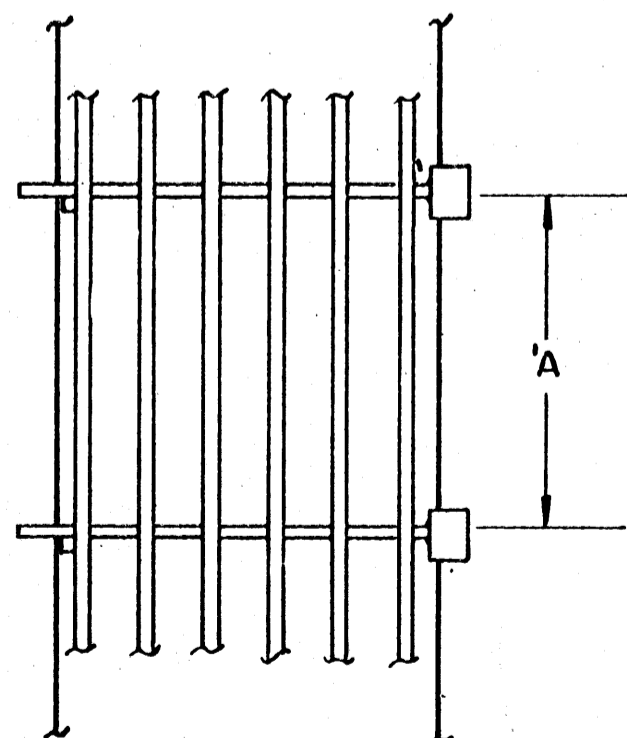
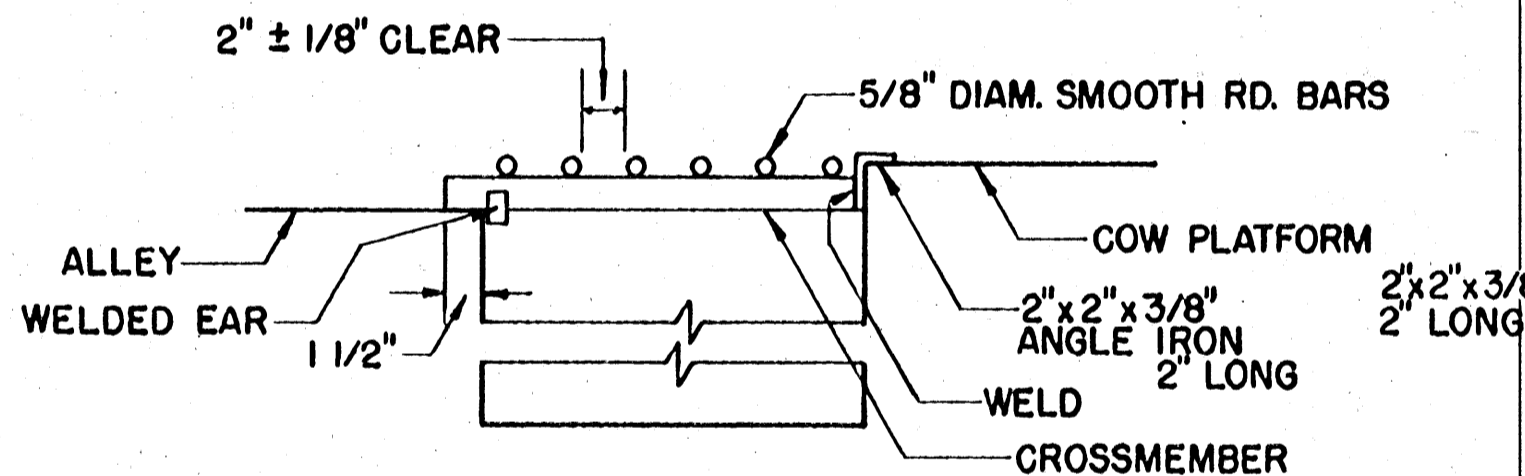


OPTION B



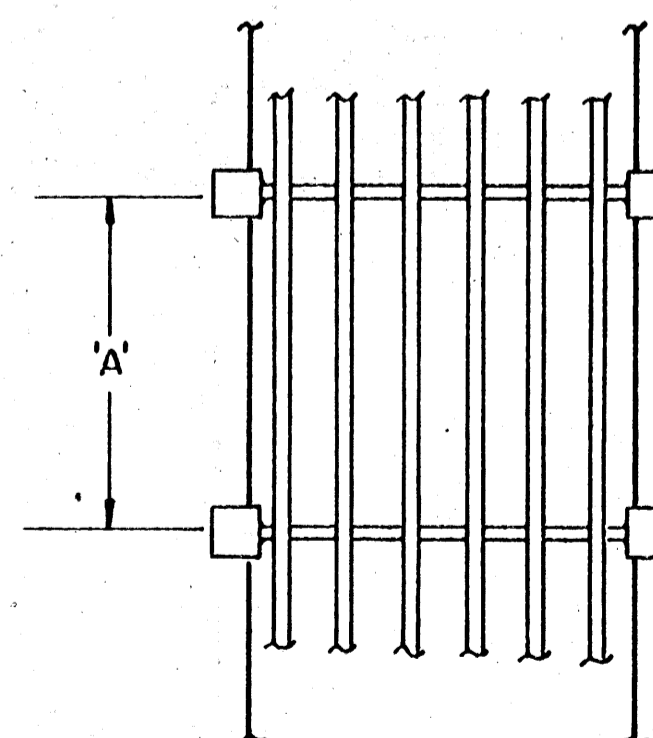
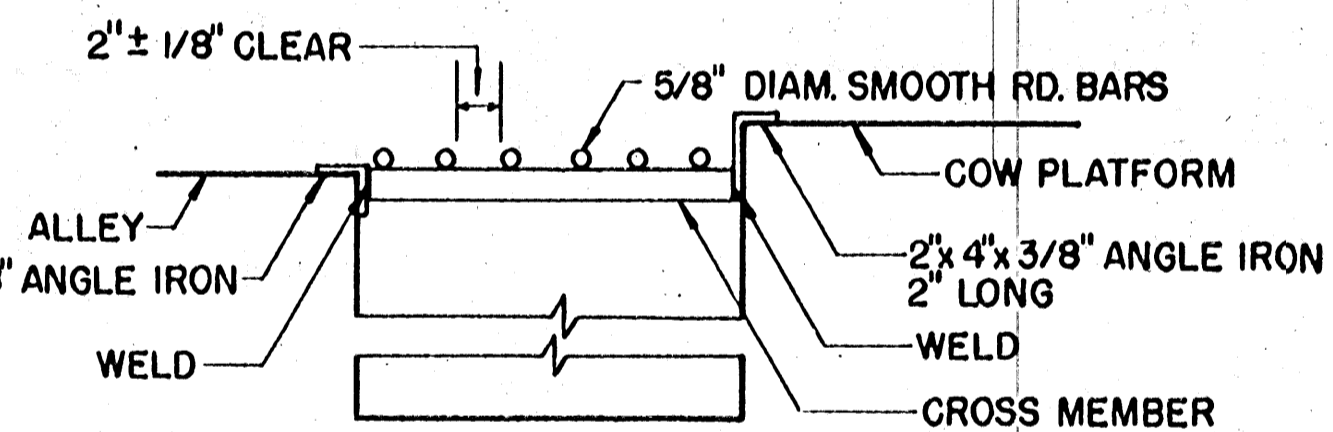
OPTION C

BEST SUITED TO NEW CONSTRUCTION OR REMODELING



OPTION D

CONTINUOUS PIECES OF ANGLE IRON CAN BE USED, HOWEVER, DIFFICULTY IN CLEANING ALLEY AND PLATFORM SHOULD BE ANTICIPATED.



OPTION E

CONTINUOUS PIECES OF ANGLE IRON CAN BE USED, HOWEVER, DIFFICULTY IN CLEANING ALLEY AND PLATFORM SHOULD BE ANTICIPATED.

NOTES:

- 1. DIMENSION 'A':
 - A. 12" IF CROSSED BY EQUIPMENT OR IN MAIN CATTLE TRAFFIC LANE.
 - B. 16" FOR STALL BARN AND OTHER THAN NO. 1A.
- 2. A. CROSSMEMBERS=1/2" x 1 1/2" FOR 1A.
- B. CROSSMEMBERS=3/8" x 1 1/2" FOR 1B.

BASED ON: PENN. STATE UNIV. PLAN NO. 723-232

COOPERATIVE EXTENSION WORK IN AGRICULTURE AND HOME ECONOMICS

STATE OF MISSISSIPPI
MISSISSIPPI STATE UNIVERSITY
UNITED STATES DEPARTMENT OF AGRICULTURE COOPERATING

GUTTER GRATE DESIGNS

PA. '78 6299 SHEET 1 OF 1