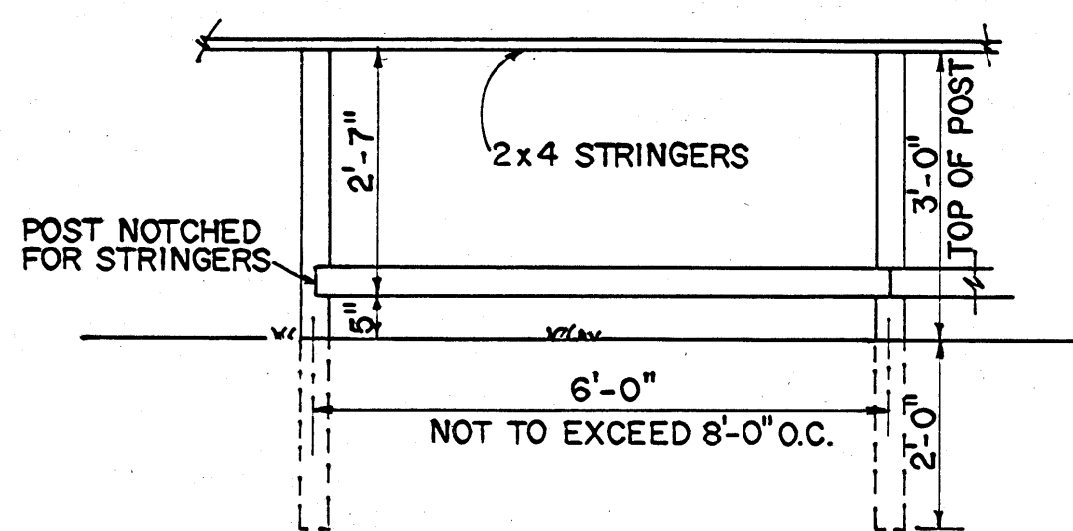
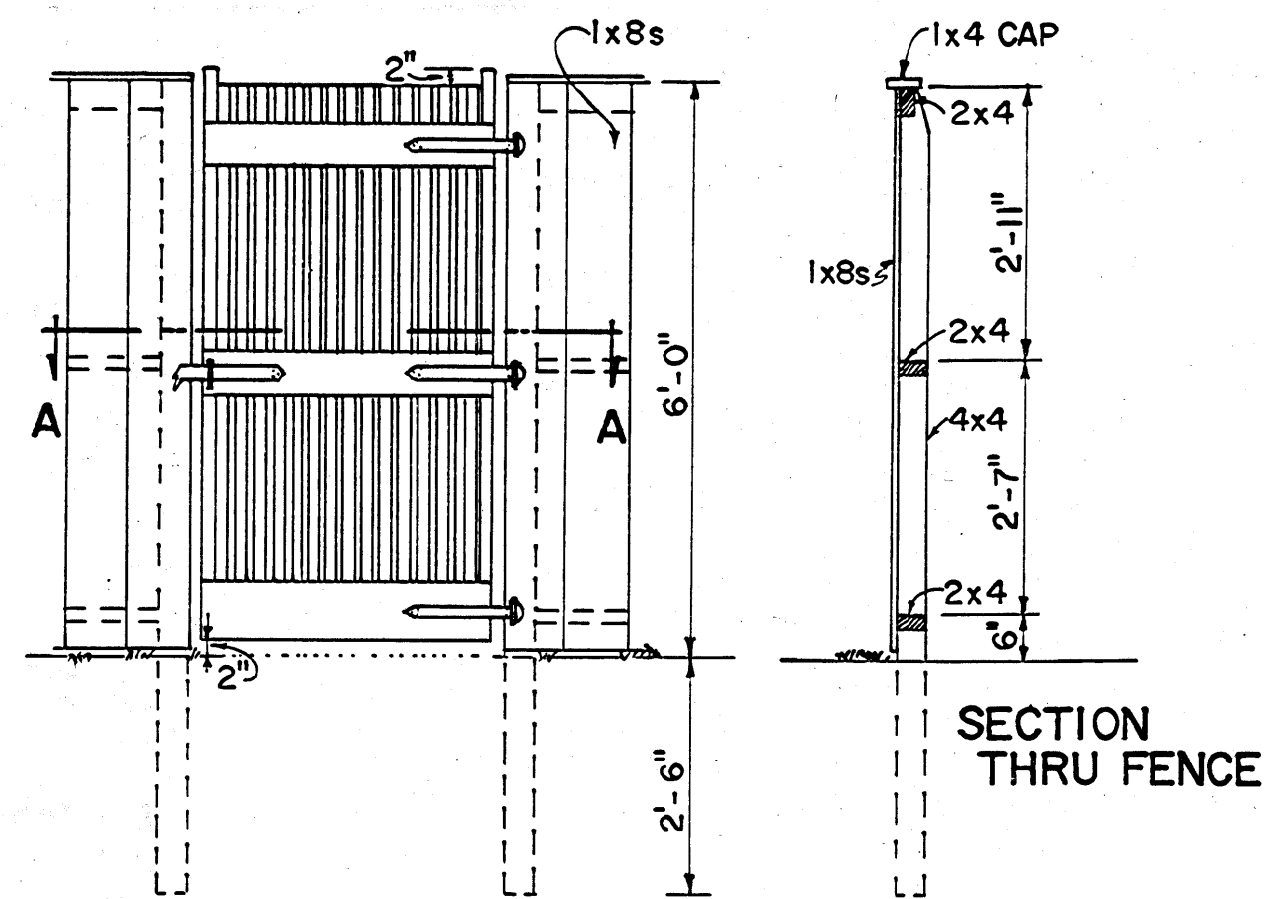


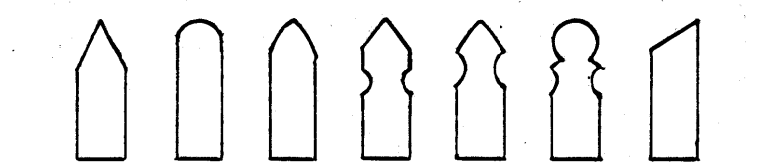
GATE



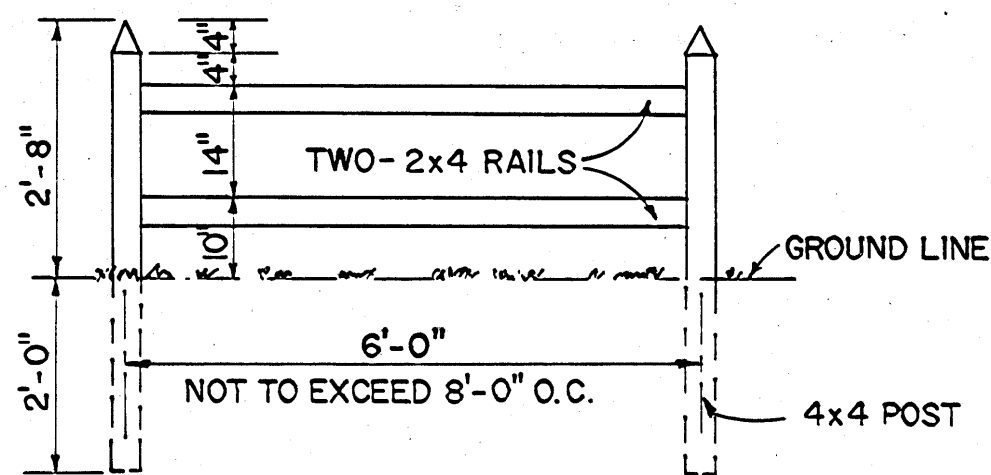
POST & STRINGER FRAMING



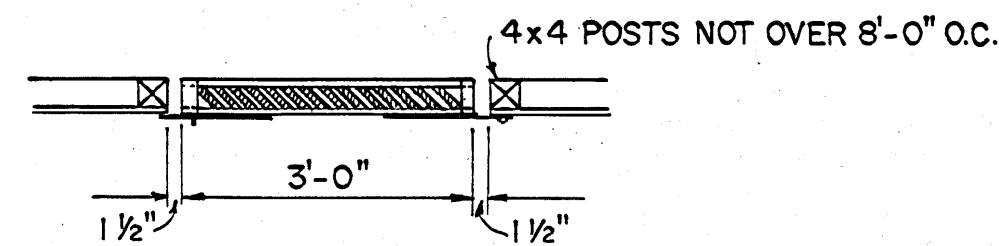
LOUVERED GATE



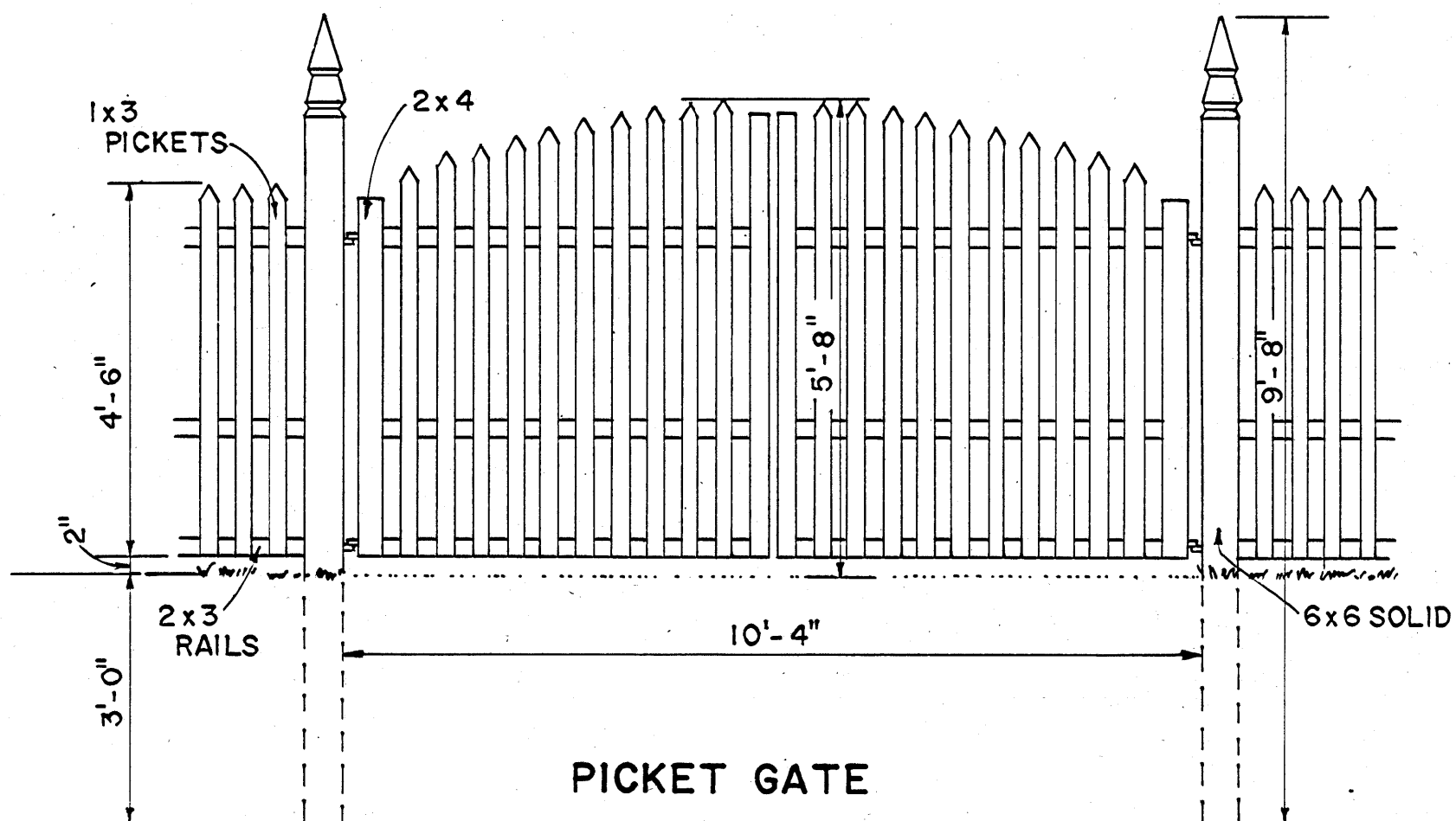
PATTERNS FOR PICKET TOPS



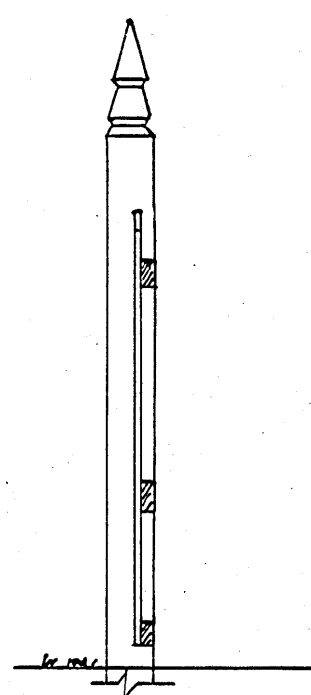
STRETCHER FENCE



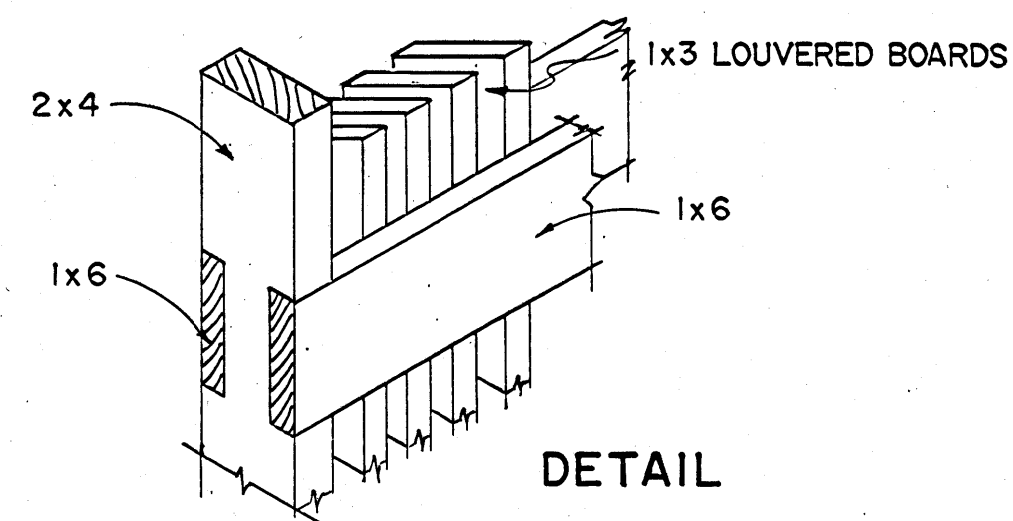
SECTION "A-A"



PICKET GATE



SECTION THRU FENCE



DETAIL

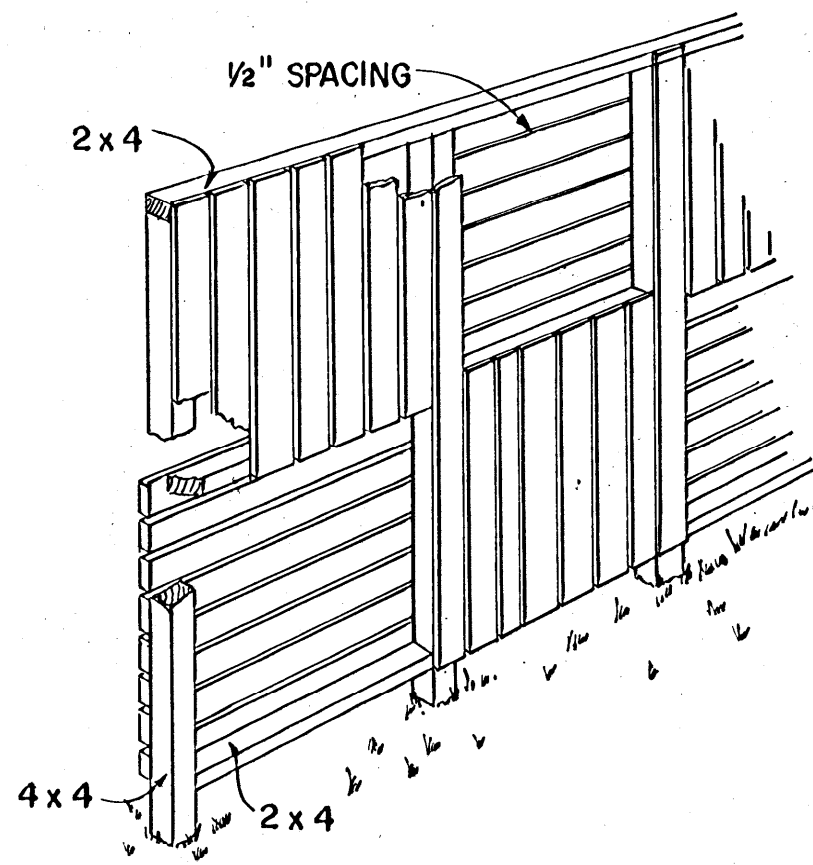


SCALE: 1/2"=1'-0" UNLESS OTHERWISE SHOWN

COOPERATIVE EXTENSION WORK IN
 AGRICULTURE AND HOME ECONOMICS
 STATE OF MISSISSIPPI
 MISSISSIPPI STATE UNIVERSITY
 AND
 UNITED STATES DEPARTMENT OF AGRICULTURE COOPERATING

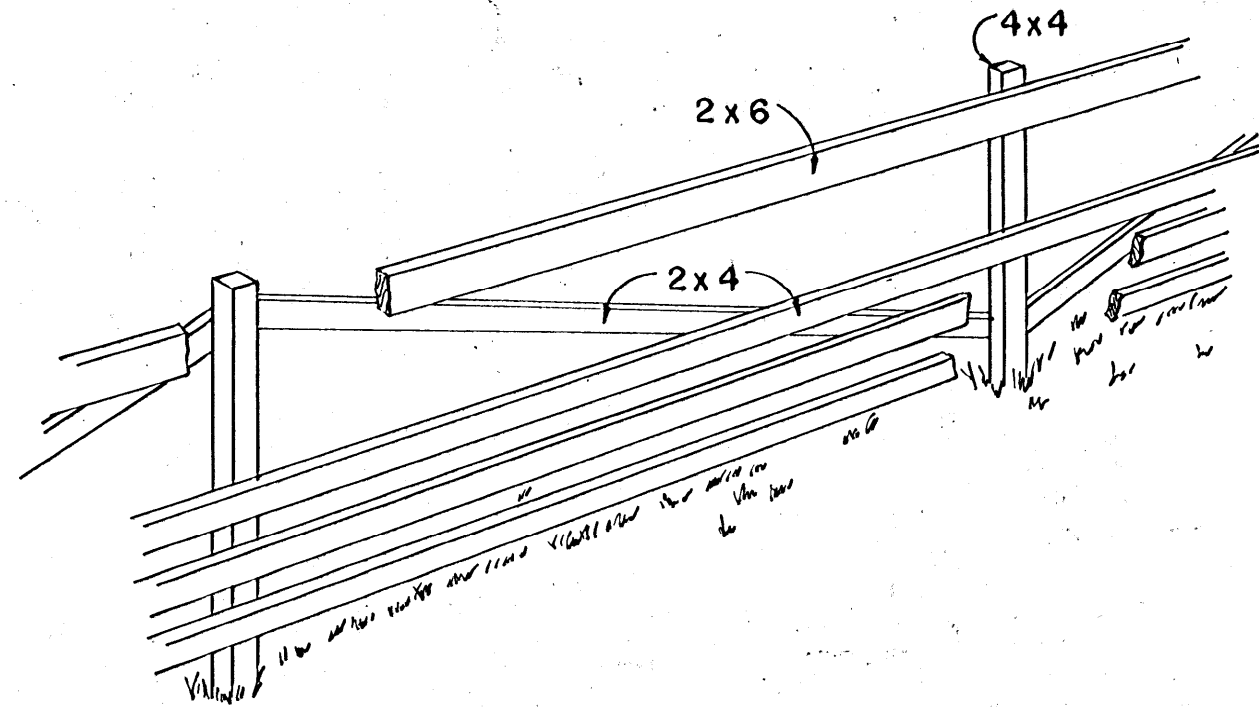
TYPES OF WOOD FENCING

USDA '77 6286 SHEET 1 OF 2

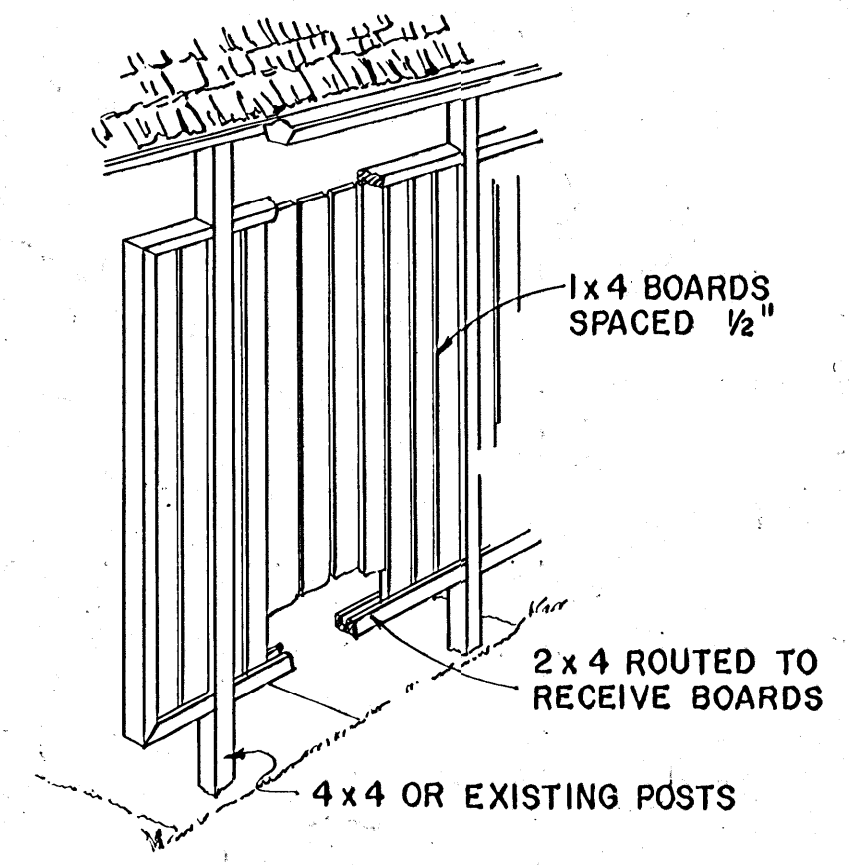


USE 1x4, 1x6, OR 1x8
BOARDS OR TEXTURED
EXTERIOR PLYWOOD

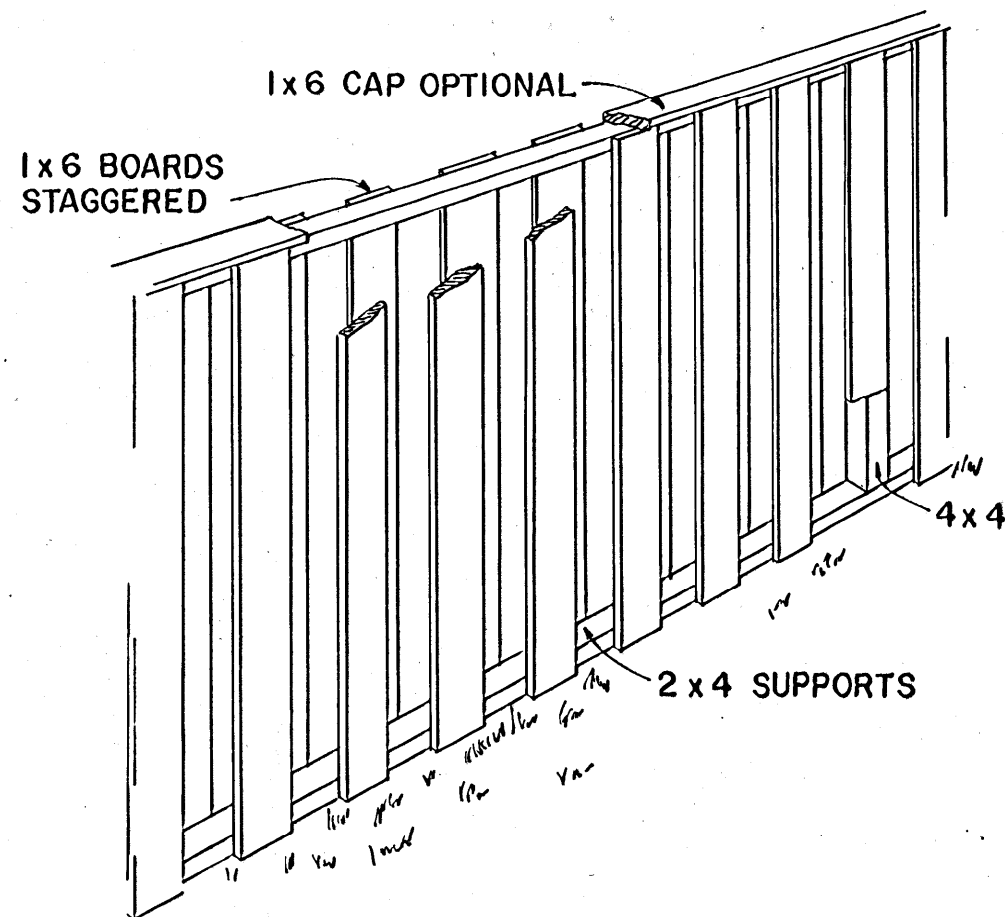
NOVELTY PATTERN



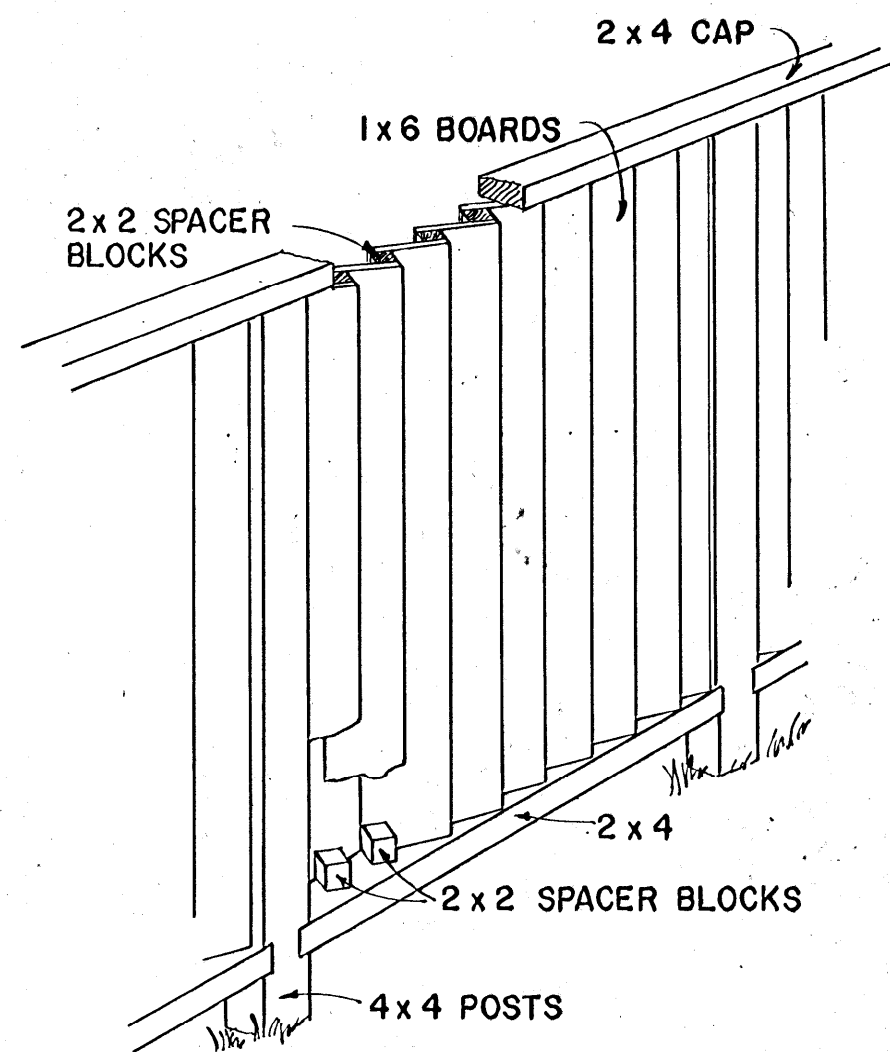
LOW RAIL FENCE



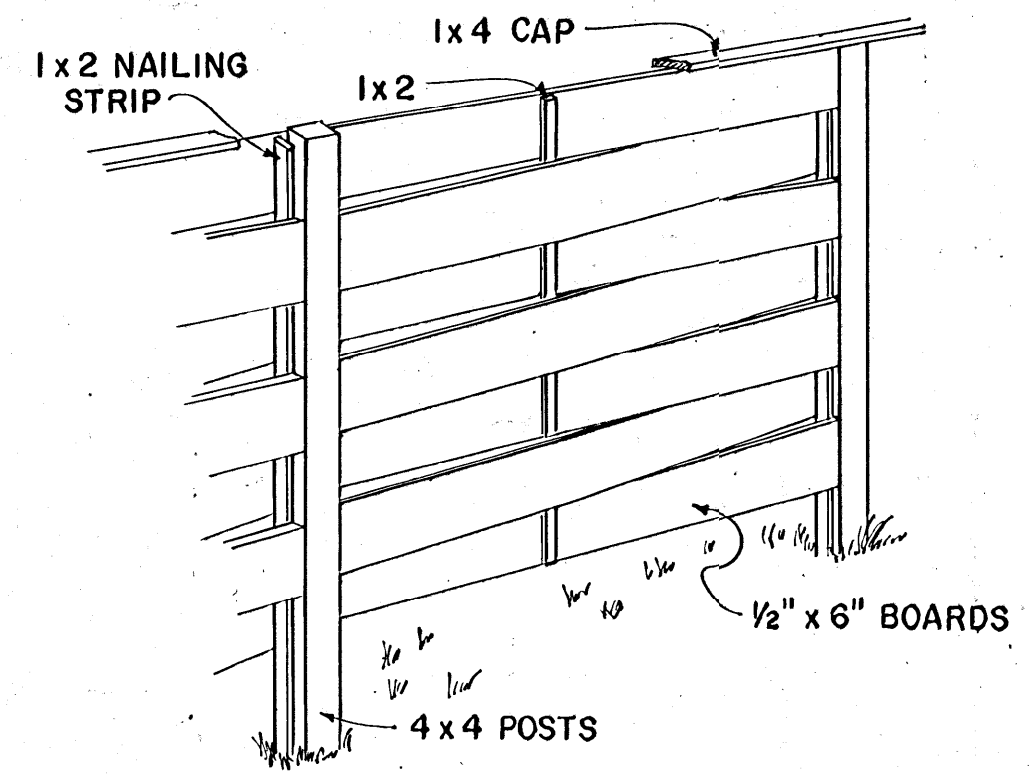
PRIVACY SCREEN



ALTERNATE BOARD FENCE



LOUVERED FENCE



BASKET WEAVE FENCE

NO SCALE

COOPERATIVE EXTENSION WORK IN
AGRICULTURE AND HOME ECONOMICS
STATE OF MISSISSIPPI
MISSISSIPPI STATE UNIVERSITY
AND
UNITED STATES DEPARTMENT OF AGRICULTURE COOPERATING

TYPES OF WOOD FENCING

USDA '77 6286 SHEET 2 OF 2