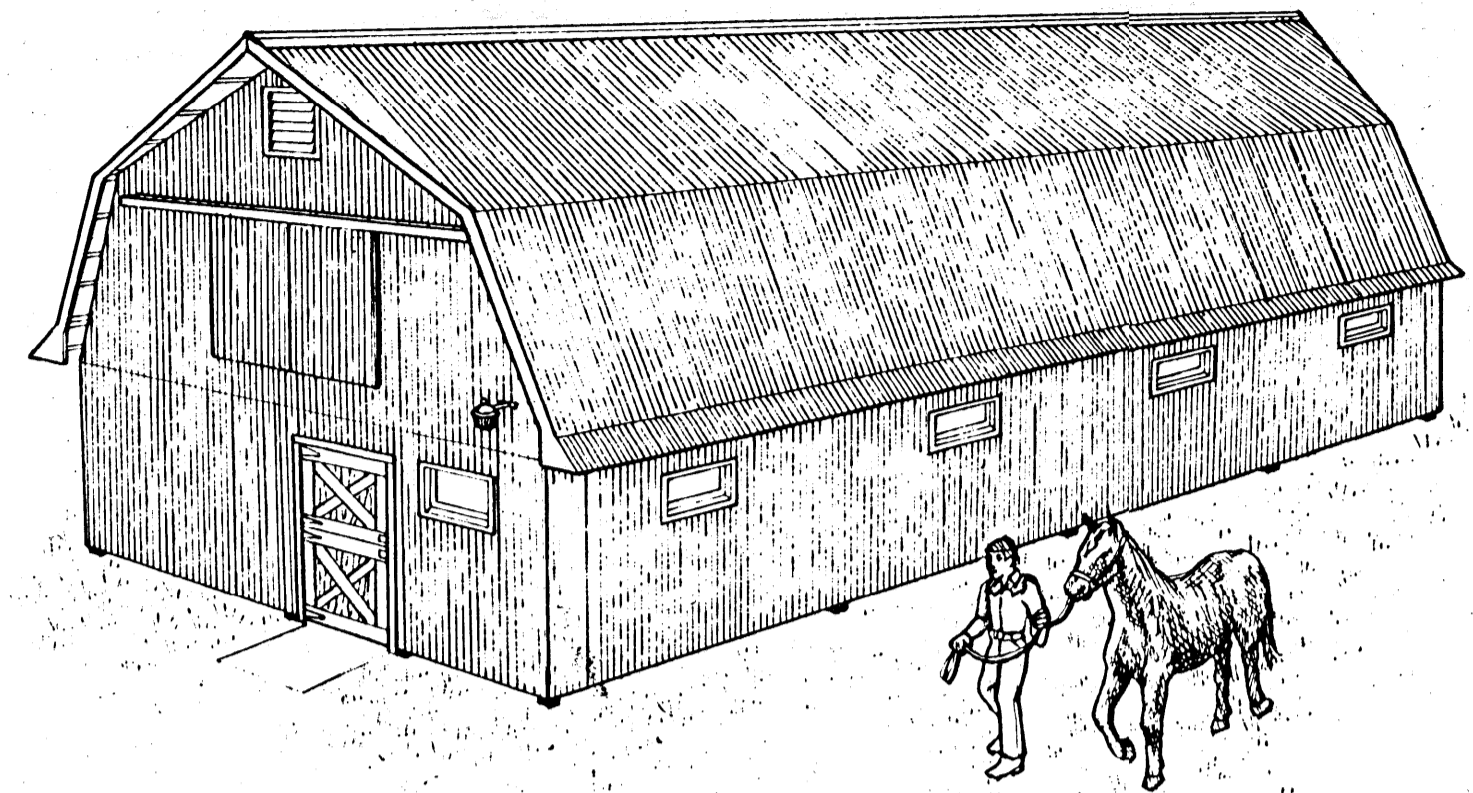
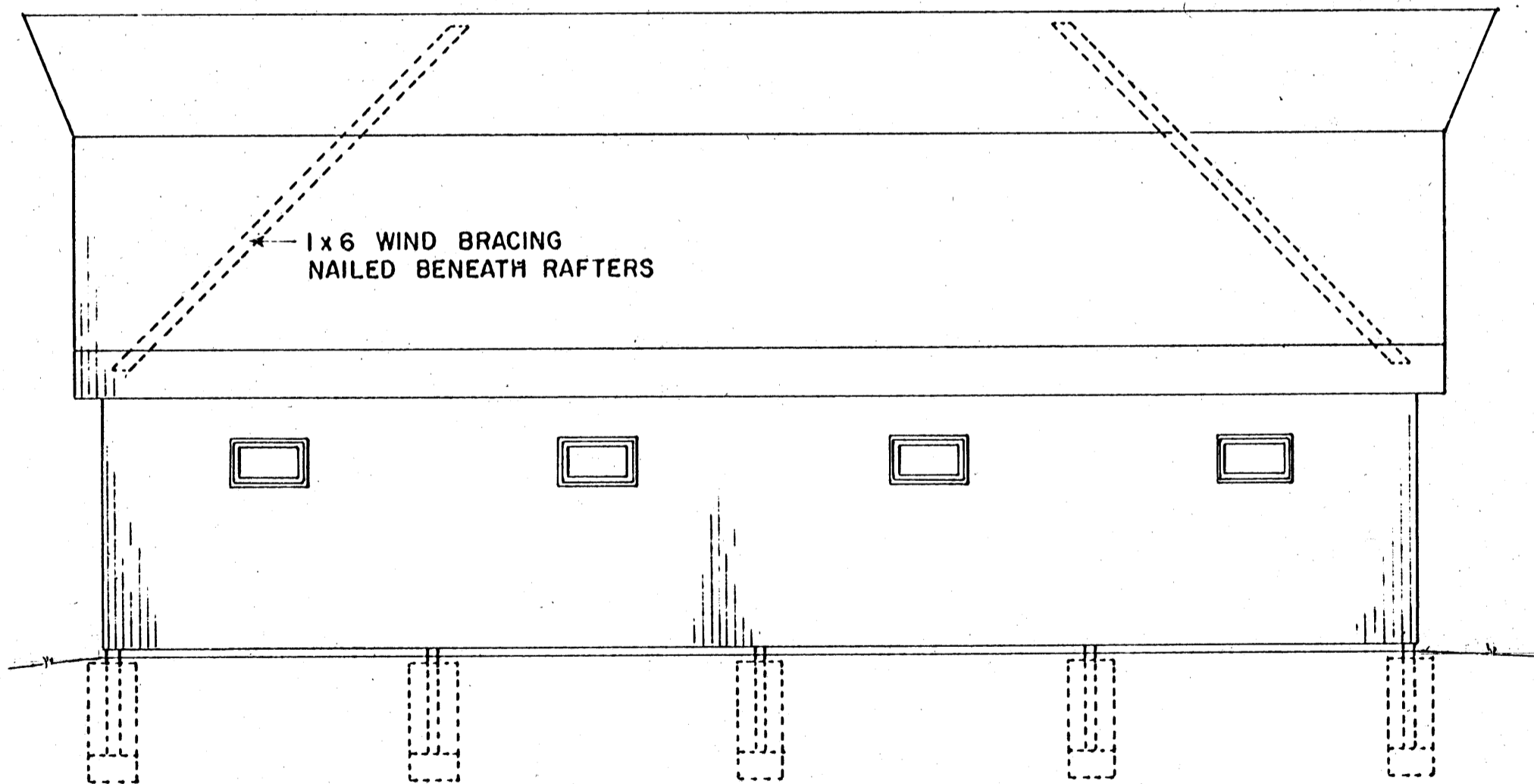


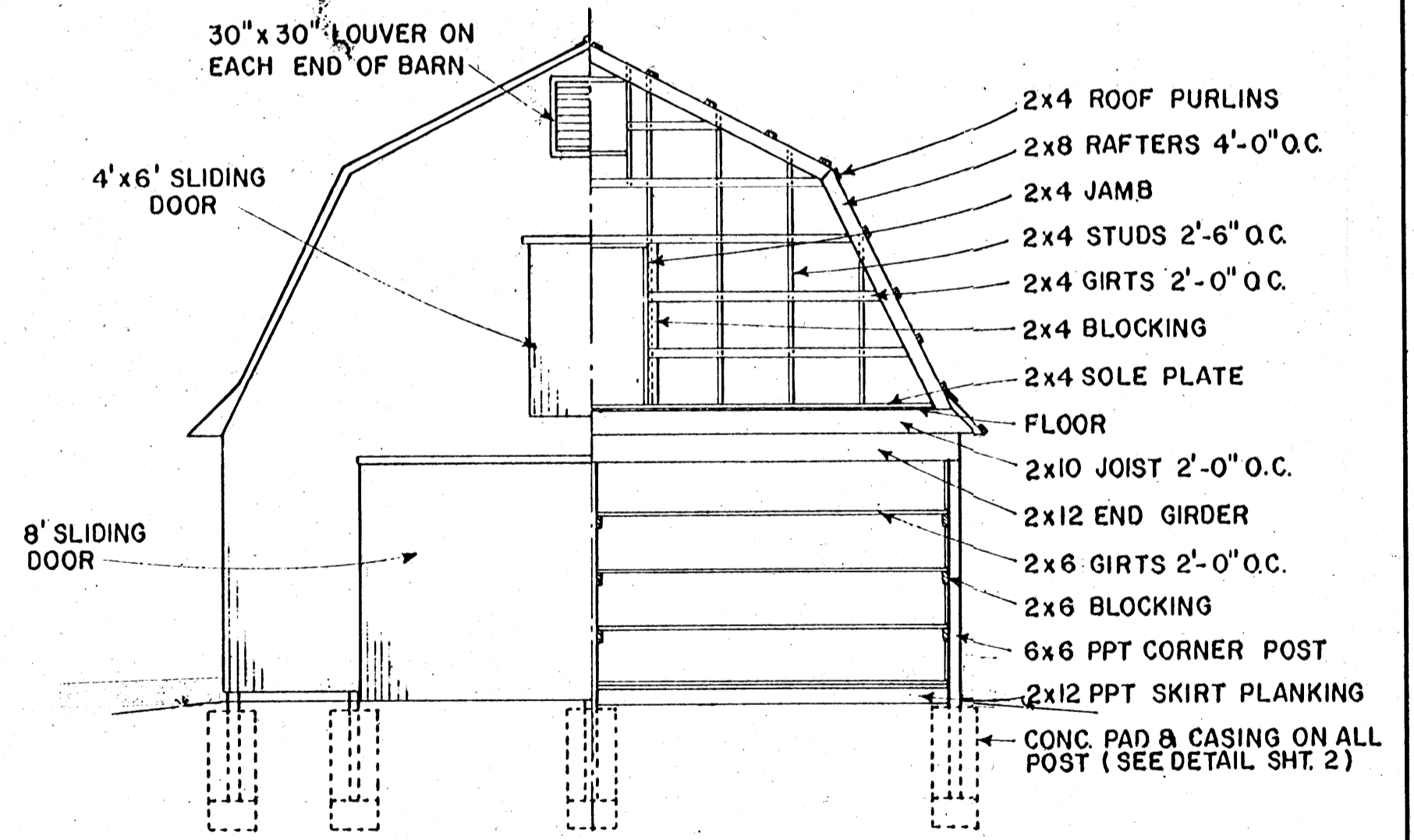
FLOOR PLAN



PERSPECTIVE



SIDE ELEVATION



END ELEVATION & FRAMING

NOTES:

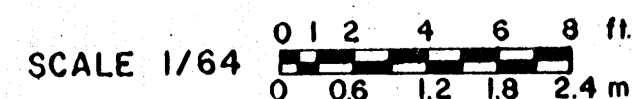
- 1) ROOF DESIGN LOAD 40 psf.
MOW FLOOR DESIGN LOAD 70psf.
LUMBER BENDING STRESS 1500psi.
- 2) ALL POST & PLANKING IN CONTACT WITH THE GROUND OR MANURE TO BE PRESSURE PRESERVATIVE TREATED (PPT)

NOTE:

CONSULT LOCAL HEALTH AND BUILDING CODE AUTHORITIES BEFORE STARTING CONSTRUCTION

BASED ON: CORNELL UNIV. PLAN 845

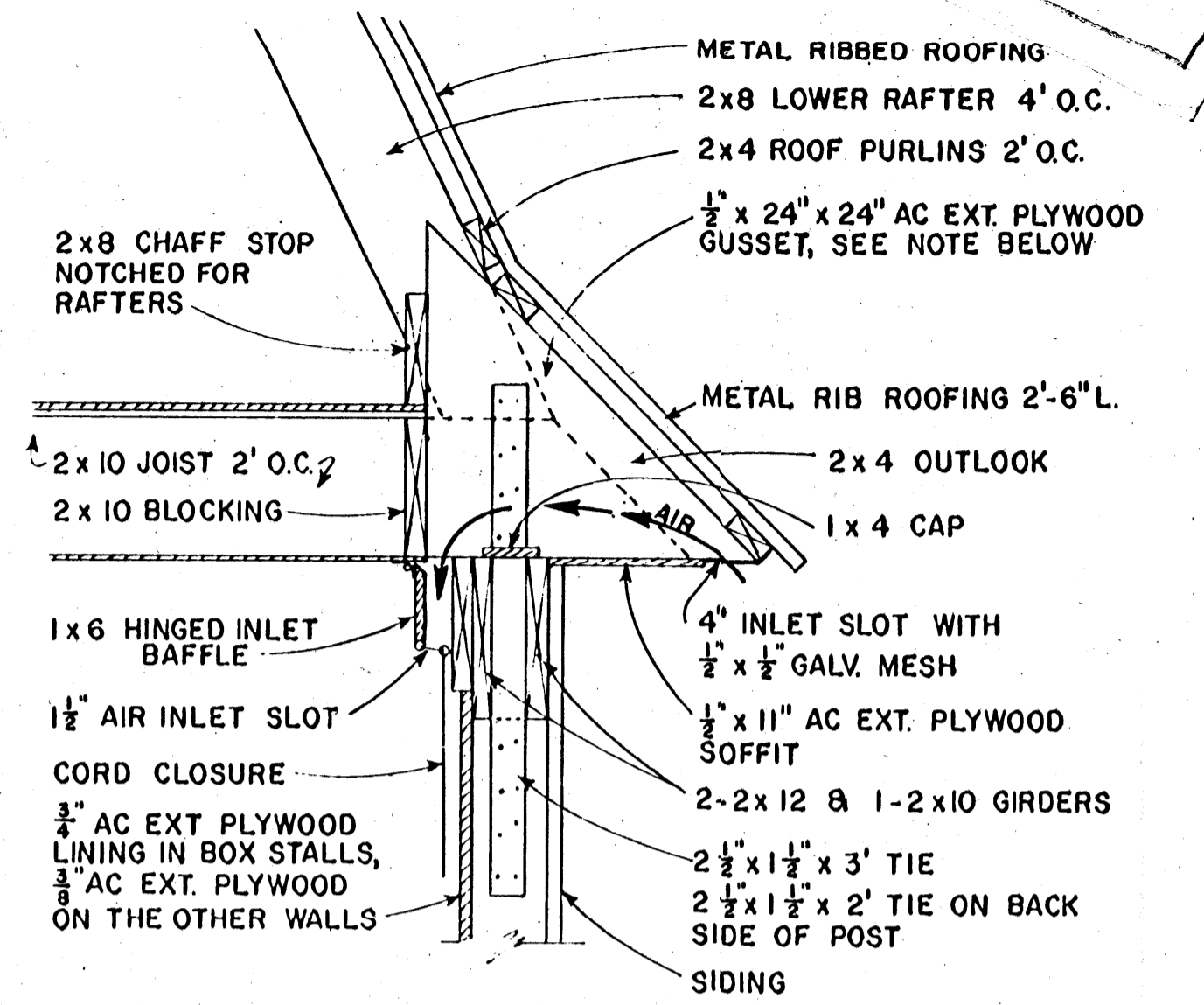
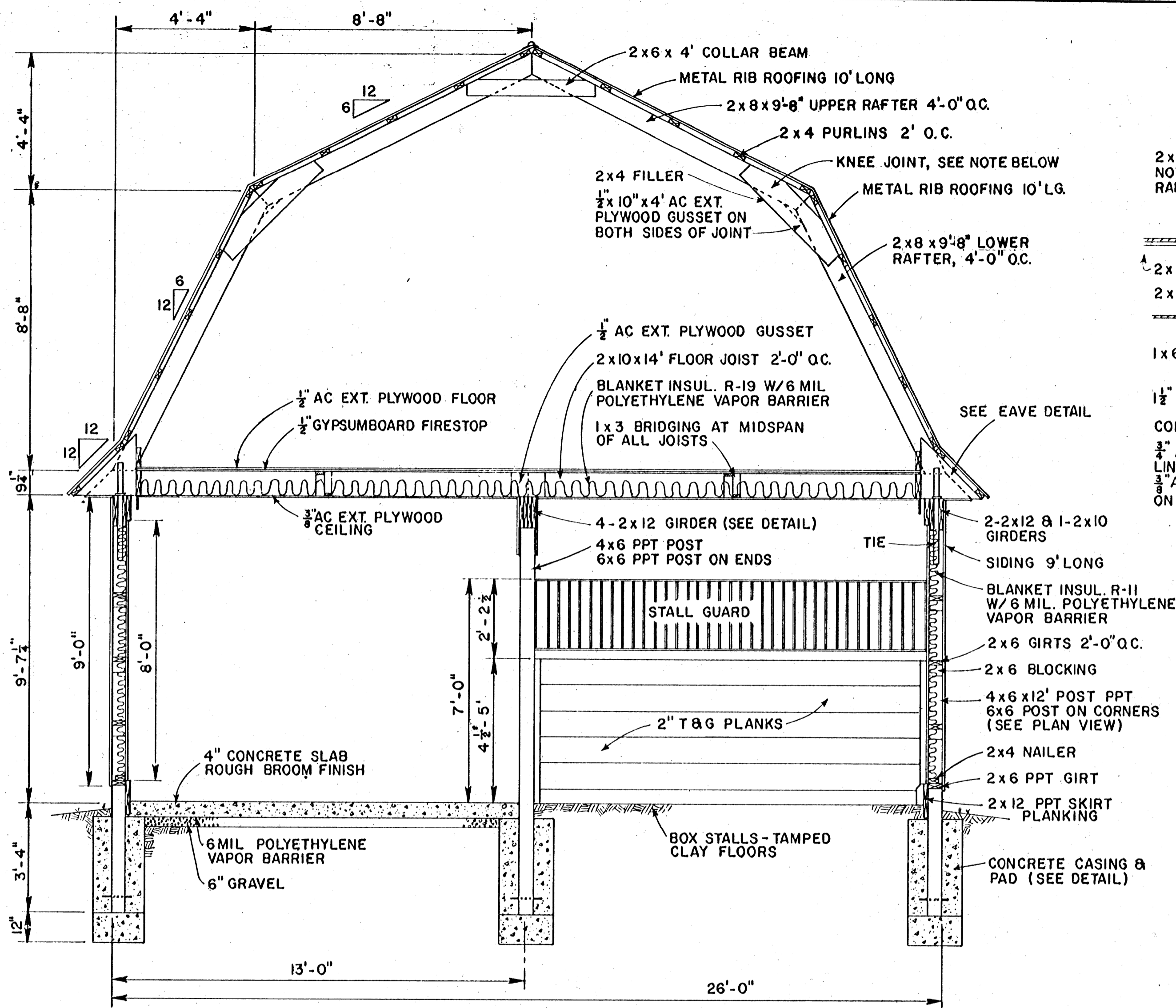
This plan is modified and extended from Plan No. 6024 developed in New Jersey.



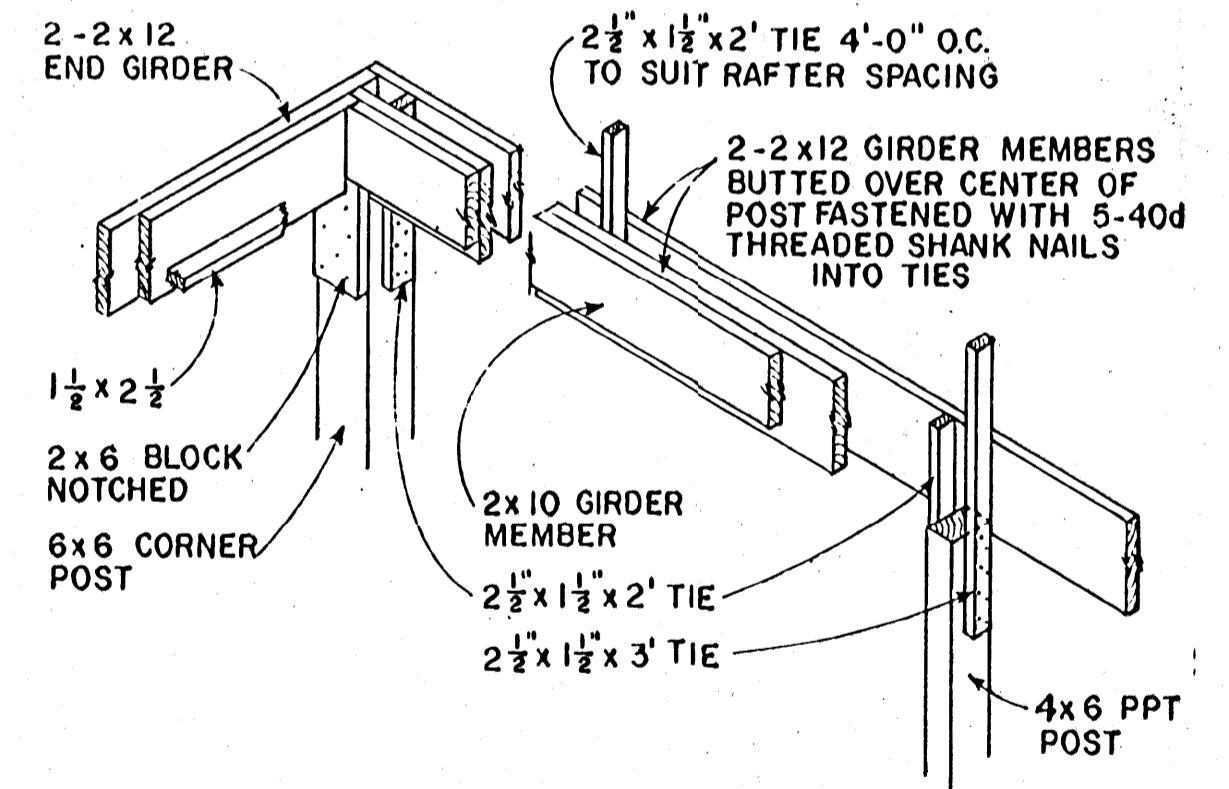
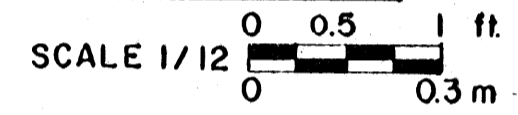
COOPERATIVE EXTENSION WORK IN AGRICULTURE AND HOME ECONOMICS
STATE OF MISSISSIPPI
MISSISSIPPI STATE UNIVERSITY
AND UNITED STATES DEPARTMENT OF AGRICULTURE COOPERATING

HORSE BARN - 26' x 48'
GAMBREL ROOF

N.Y.	'77	6285	SHEET 1 OF 3
------	-----	------	--------------

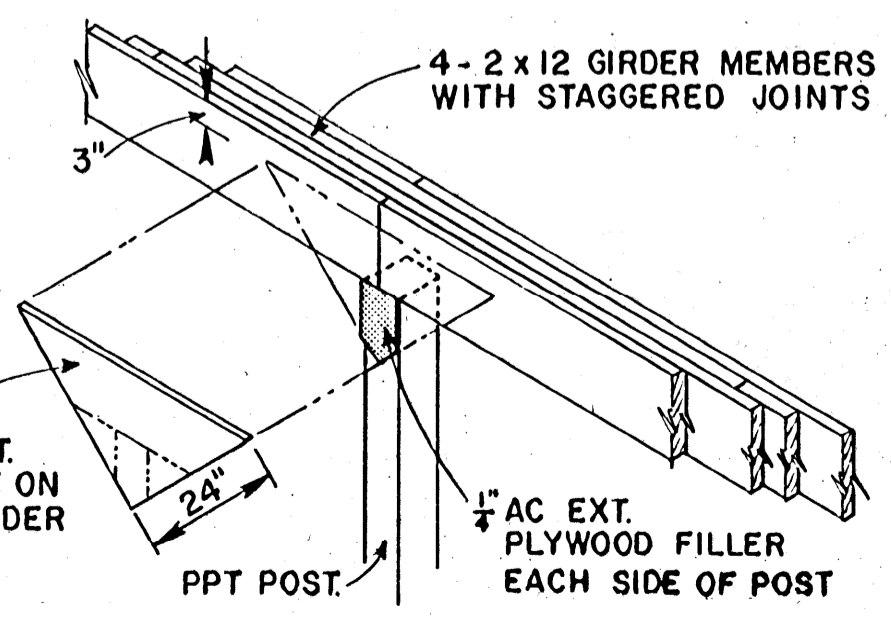


EAVE, GUSSET & VENTILATION INLET DETAIL

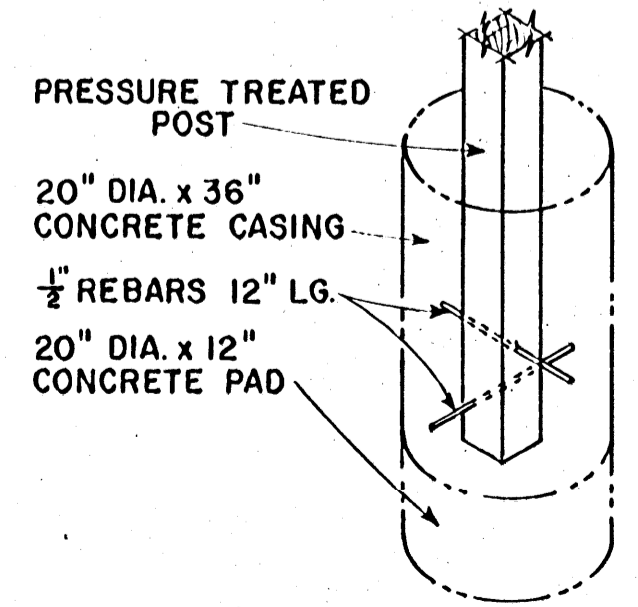


SIDE POST & GIRDER DETAIL

SECTION
SCALE 1/32
0 1 2 3 ft.
0 0.3 0.6 0.9 m



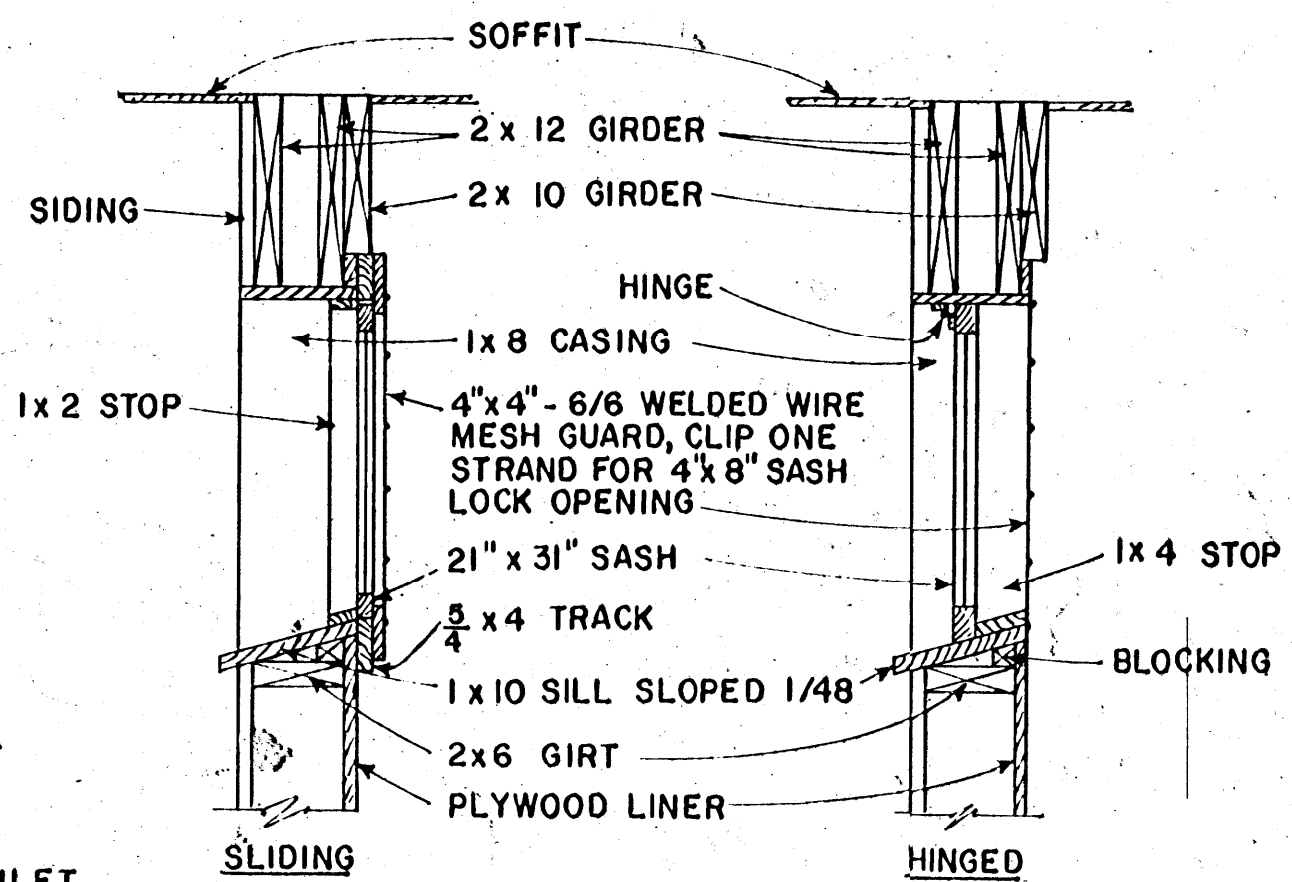
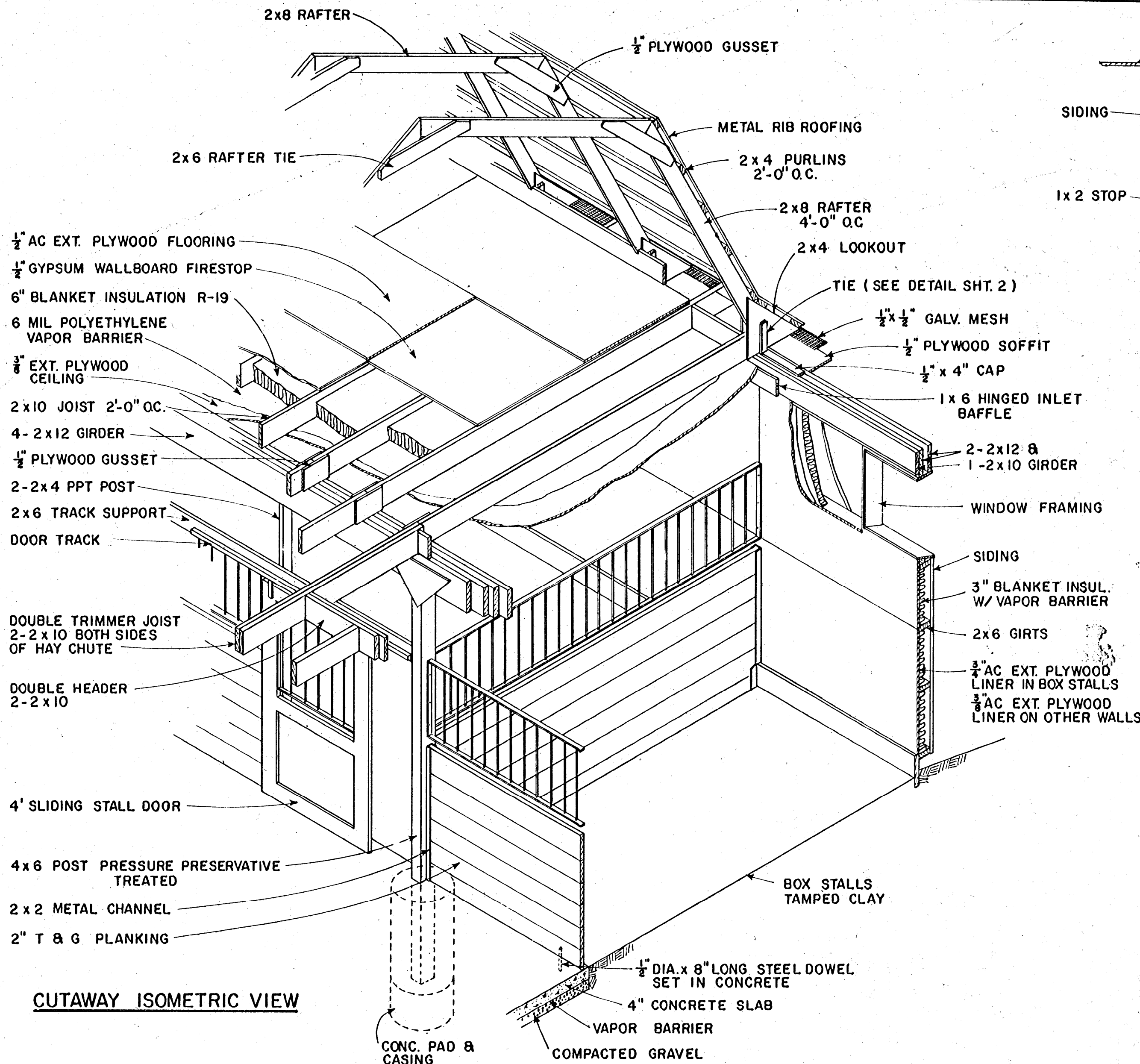
CENTER POST & GIRDER DETAIL



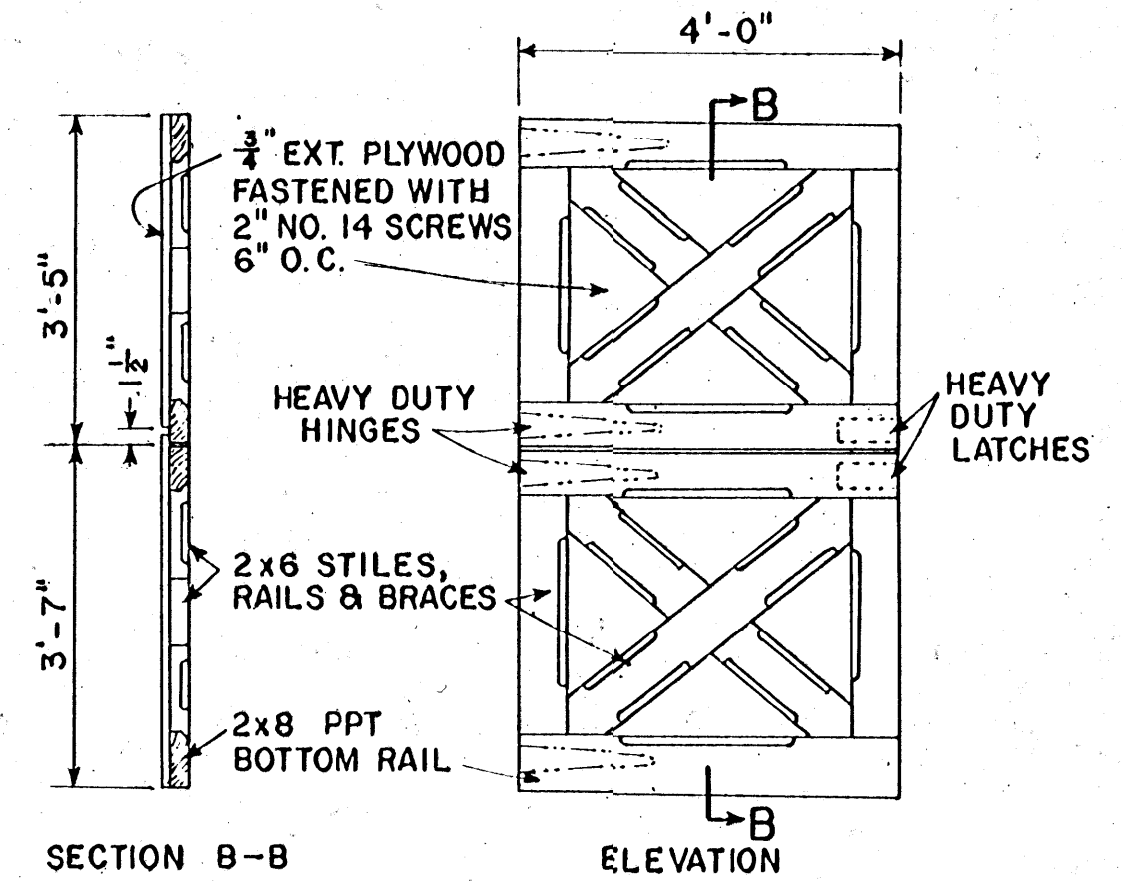
CASING & PAD DETAIL

NOTE:
ALL GUSSETS ARE NAILED WITH 8d THREADED SHANK NAILS IN A 3"x3" GRID PATTERN WITH 1" EDGE AND END CLEARANCE.

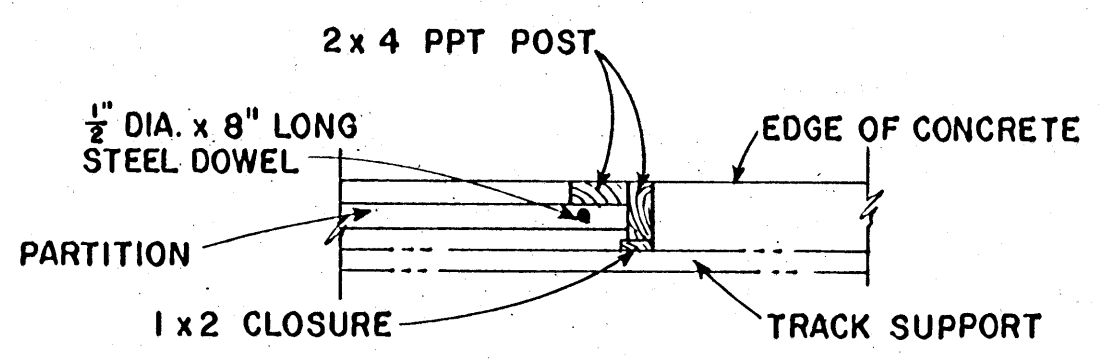
COOPERATIVE EXTENSION WORK IN
AGRICULTURE AND HOME ECONOMICS
 STATE OF MISSISSIPPI
 MISSISSIPPI STATE UNIVERSITY
 AND
 UNITED STATES DEPARTMENT OF AGRICULTURE COOPERATING
HORSE BARN-26'x48'
GAMBREL ROOF
 N.Y. '77 6285 SHEET 2 OF 3



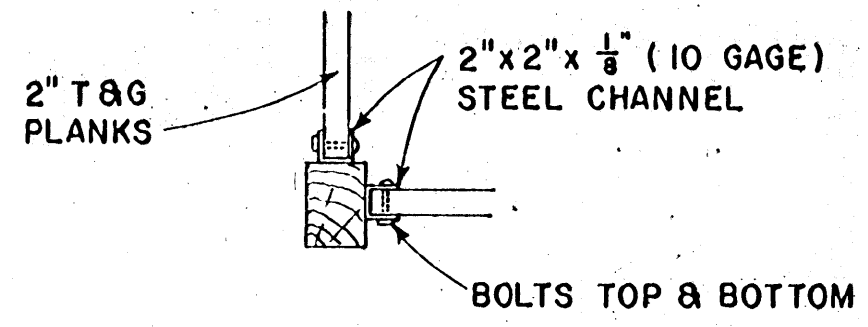
WINDOW DETAIL
SCALE 1/12
0 0.5 1 ft.
0 0.3 0.3 m



DOOR DETAIL
SCALE 1/24
0 1 2 ft.
0 0.3 0.6 m



STALL DOOR POST DETAIL
SCALE 1/12
0 0.5 1 ft.
0 0.3 0.3 m



STALL PARTITION ANCHOR
SCALE 1/12
0 0.5 1 ft.
0 0.3 0.3 m

COOPERATIVE EXTENSION WORK IN AGRICULTURE AND HOME ECONOMICS
STATE OF MISSISSIPPI
MISSISSIPPI STATE UNIVERSITY
AND UNITED STATES DEPARTMENT OF AGRICULTURE COOPERATING

HORSE BARN-26'x48'
GAMBREL ROOF

N.Y. '77	6 2 8 5	SHEET 3 OF 3
----------	---------	--------------