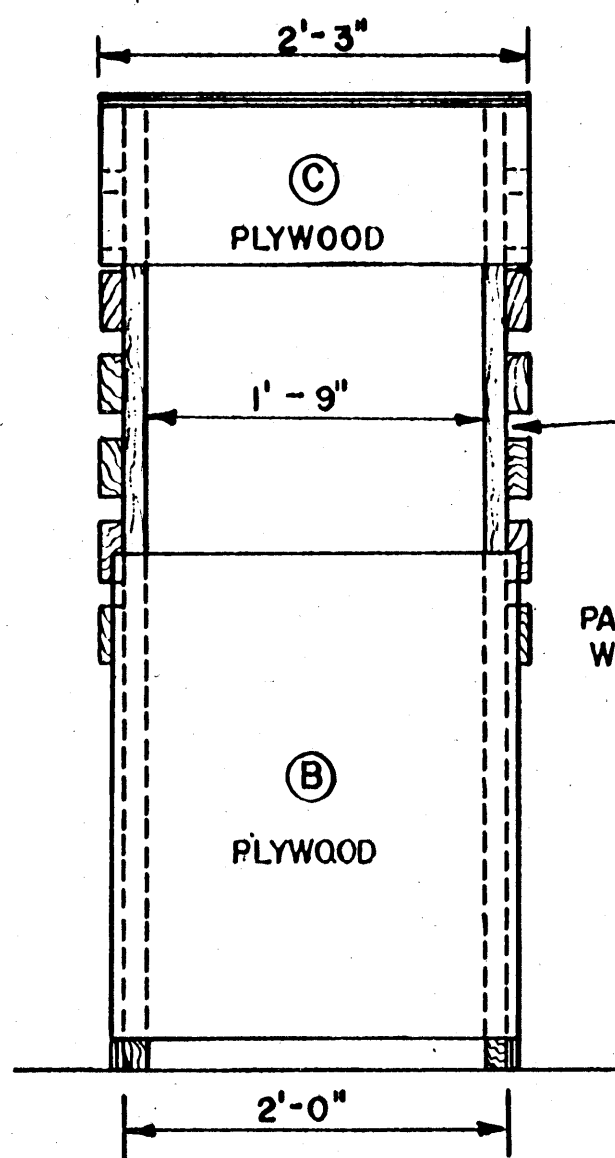
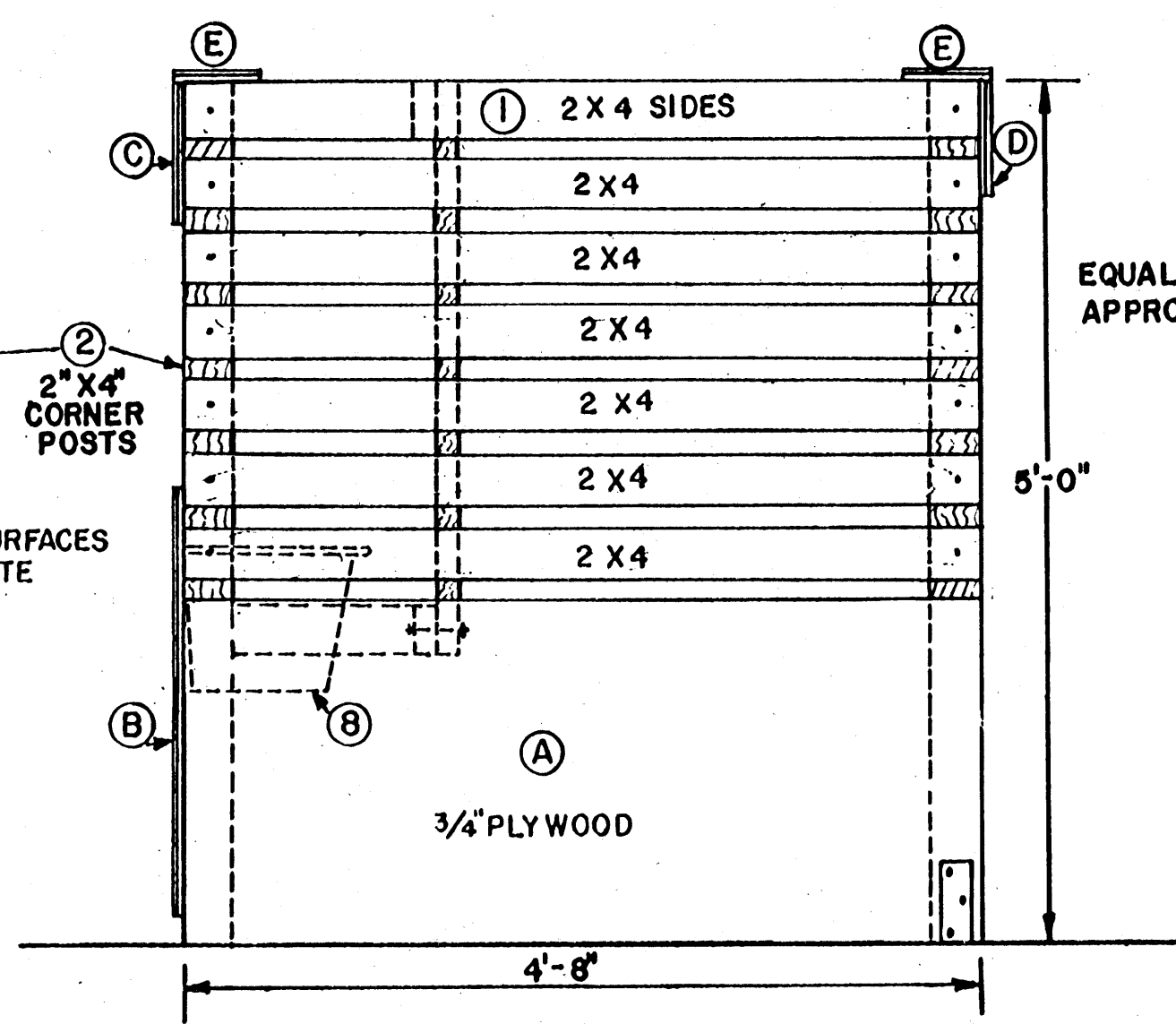


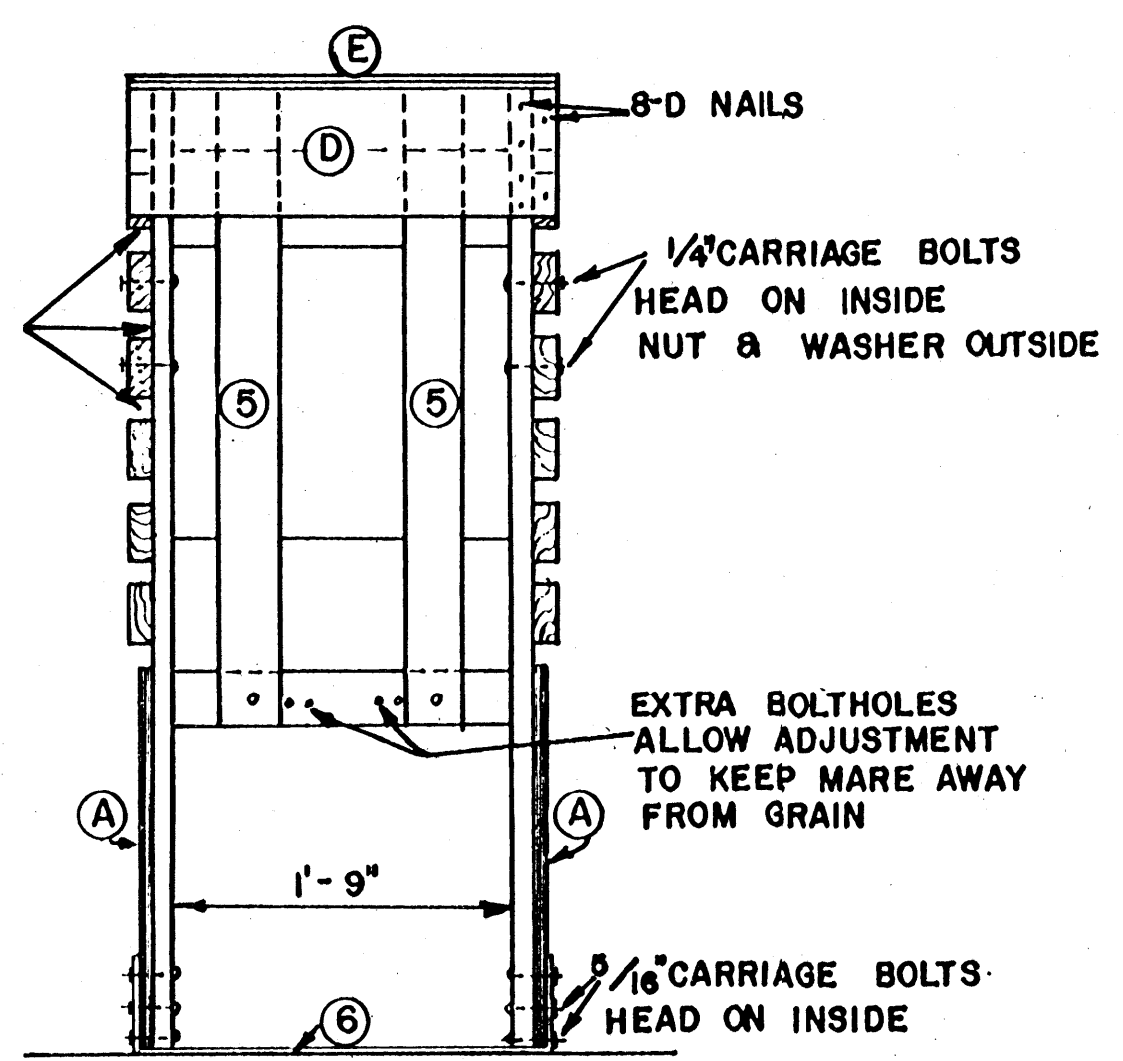
TOP VIEW



END VIEW
CLOSED END



SIDE VIEW

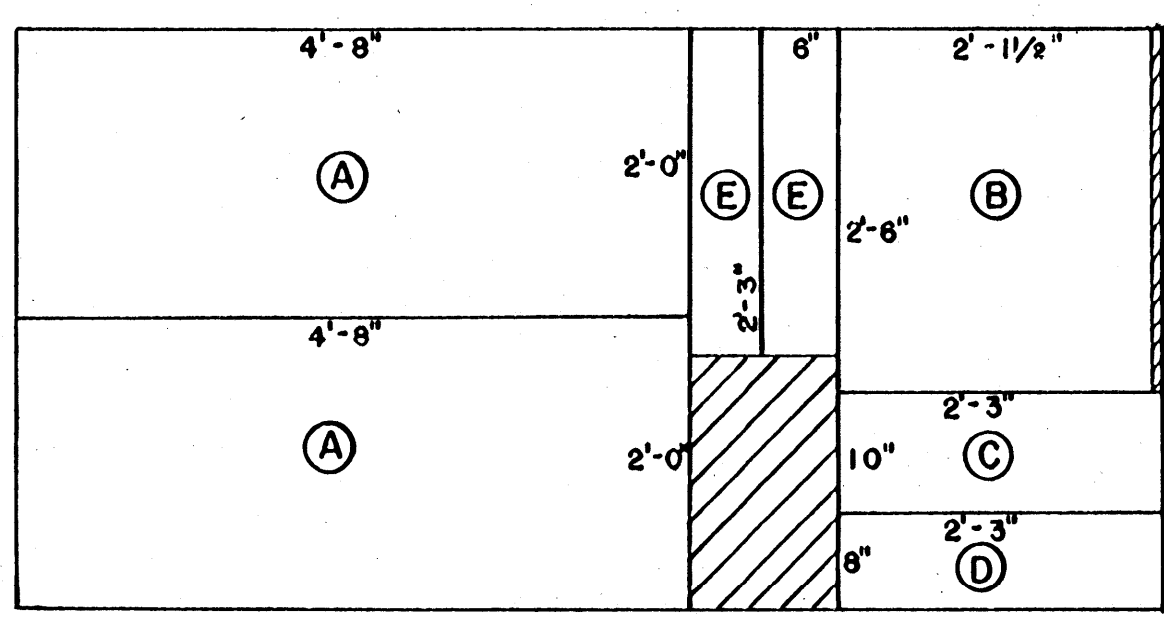


END VIEW
ENTRANCE

EQUAL SPACING
APPROX. 15/8"

MATERIALS REQUIRED

- | | | |
|-------------------------|--------|--|
| 1. SIDES | 14 PCS | 2" X 4" X 4' - 8" |
| 2. CORNER POSTS | 4 PCS | 2" X 4" X 5' - 0" |
| 3. INSIDE BLOCKS | 4 PCS | 2" X 4" X 1' - 0 1/2" |
| 4. CROSS PIECES | 2 PCS | 2" X 4" X 2' - 0" |
| 5. HEAD STOPS | 2 PCS | 2" X 4" X 3' - 4" |
| 6. STEEL CROSS BRACE | 1 PC | 1/4" X 2" X 3' - 0" |
| 7. CORNER BRACKET | 1 PC | STEEL TO SUIT |
| 8. FEED BUCKET | | PLASTIC CORNER PAIL FOR HORSES |
| 9. PLYWOOD | | 1 PC 3/4" EXTERIOR CUT AS SHOWN ON DIAGRAM |
| 10. BOLTS AND NAILS | | |
| 11. CREOSOTE FOR FINISH | | |



CUTTING DIAGRAM 4' X 8' 3/4" EXT. PLYWOOD
SCALE: 3/4" = 1'-0" 12" 6" 0 1'

DESIGN BY: DEPT. ANIMAL SCIENCE, PSU

12" 6" 0 1'
SCALE: 1" = 1'-0" UNLESS OTHERWISE NOTED.

COOPERATIVE EXTENSION WORK IN AGRICULTURE AND HOME ECONOMICS
STATE OF MISSISSIPPI
MISSISSIPPI STATE UNIVERSITY
AND UNITED STATES DEPARTMENT OF AGRICULTURE COOPERATING

IN-STALL CREEP BOX FOR HORSES

PA '77 6 2 6 4 SHEET 1 OF 1

PLAN 821-284
BASED ON: PENN STATE UNIV.