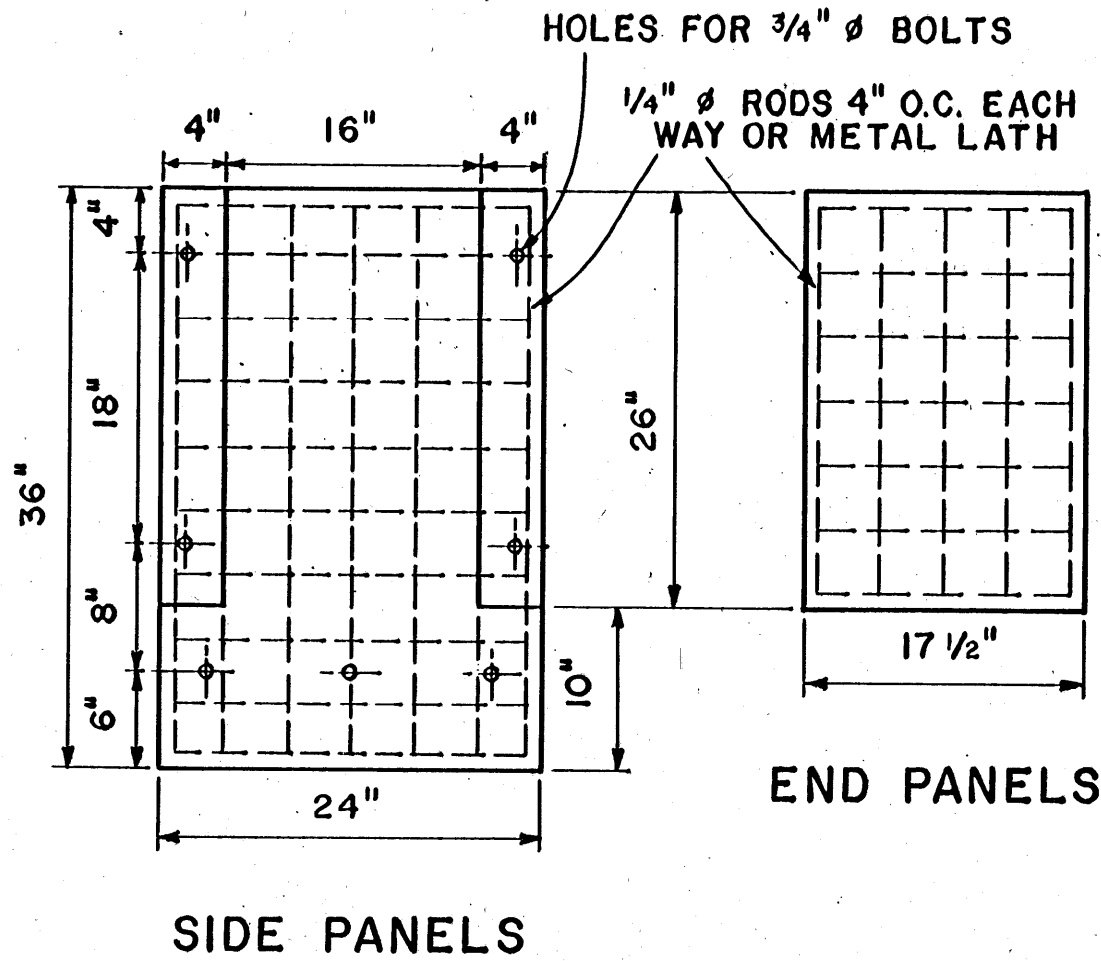


**CONCRETE TRASH BURNER**  
NOT TO SCALE



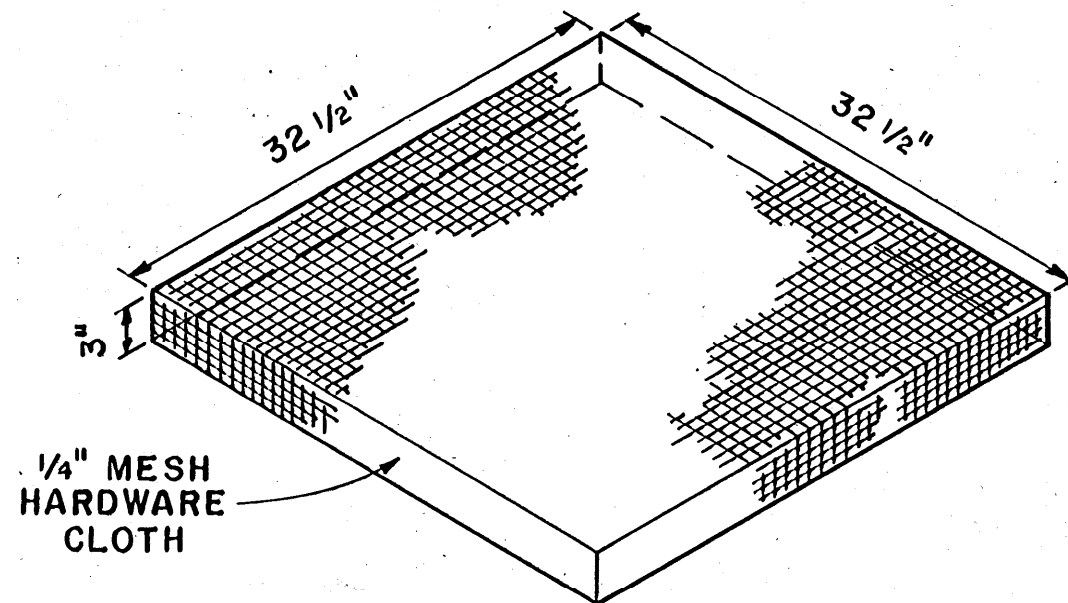
**SIDE PANELS**

**END PANELS**

**BILL OF MATERIALS**

- CONCRETE: 1:2:3 MIX  
 REINFORCEMENT STEEL: 14-1/4" RODS 34" LG.  
 10-1/4" RODS 24" LG.  
 20-1/4" RODS 22" LG.  
 14-1/4" RODS 15 1/2" LG.  
 7-3/4" Ø 22 1/2" LG. (WITH NUTS & 2" WASHERS)  
 1-PIECE OF EXPANDED METAL 16"x24"

NOTE:  
 THE CONCRETE SHOULD BE MIXED: 1 PART PORTLAND CEMENT, 2 PARTS SAND AND 3 PARTS GRAVEL. IF THE GRAVEL IS OF SUCH A CHARACTER AS TO BE DISINTEGRATED BY HEAT, IT WILL BE BEST TO USE BROKEN BRICK OR TERRA COTTA IN PARTICLES FROM 1/4" TO 1/2" IN SIZE.  
 AFTER THE SLABS HAVE BEEN MADE THEY SHOULD BE COVERED, AS SOON AS THERE IS NO DANGER OF MARRING THEM, WITH MOIST STRAW, SACKS, OR EARTH AND LEFT FOR 2 TO 3 WEEKS TO THOROUGHLY AND SLOWLY HARDEN.

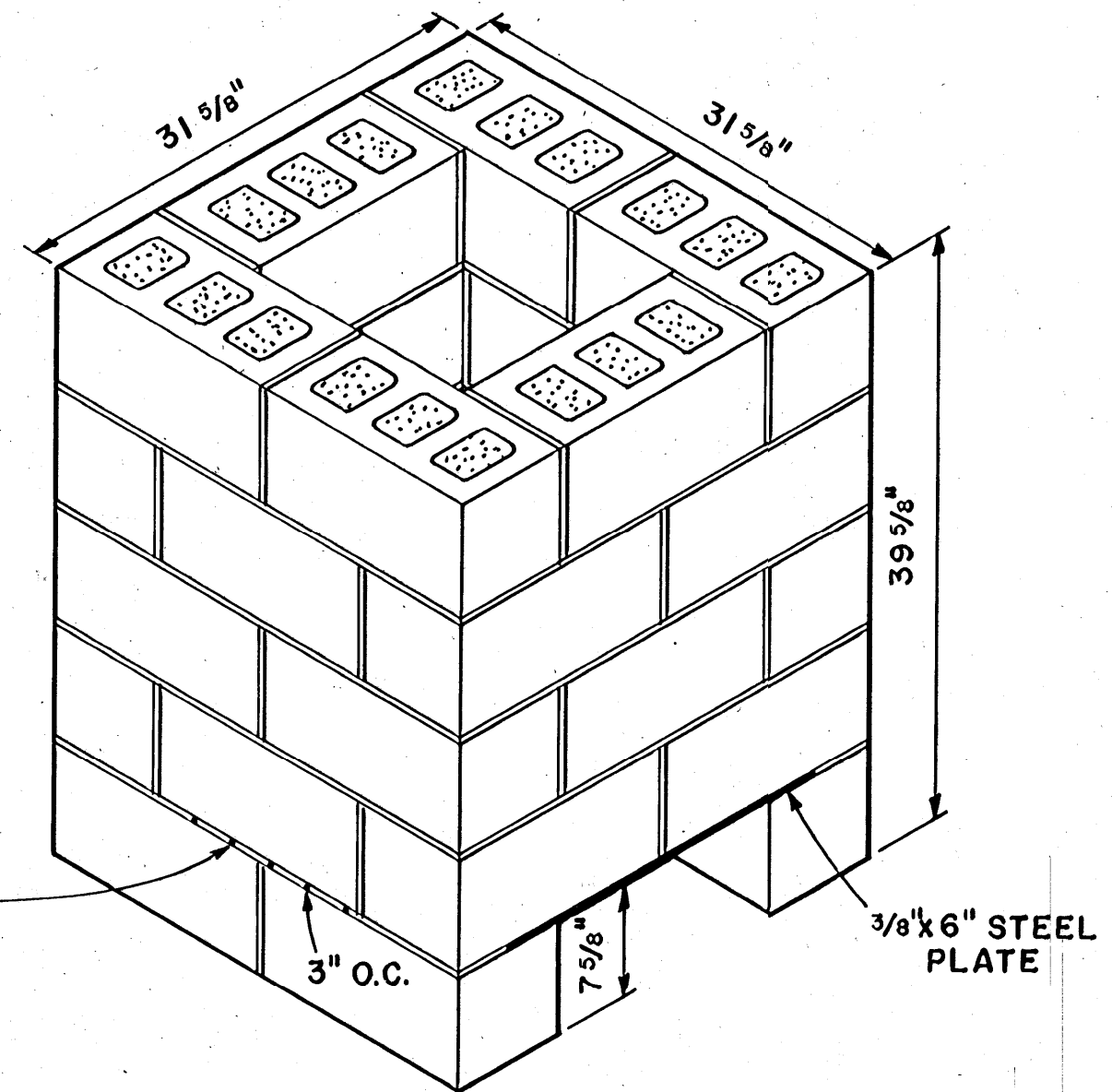


**REMOVABLE COVER**

**BILL OF MATERIALS**

- 29 CONCRETE BLOCKS 7 5/8"x7 5/8"x15 5/8"  
 1 SACK MASONRY CEMENT  
 3 CU. FT. SAND  
 1 PC. 3/8"x6"x24" STEEL PLATE  
 5 PCS. 3/8" Ø STEEL RODS 31 5/8" LG. (GRATE)  
 1 PC. 1/4" MESH HARDWARE CLOTH 39" SQUARE

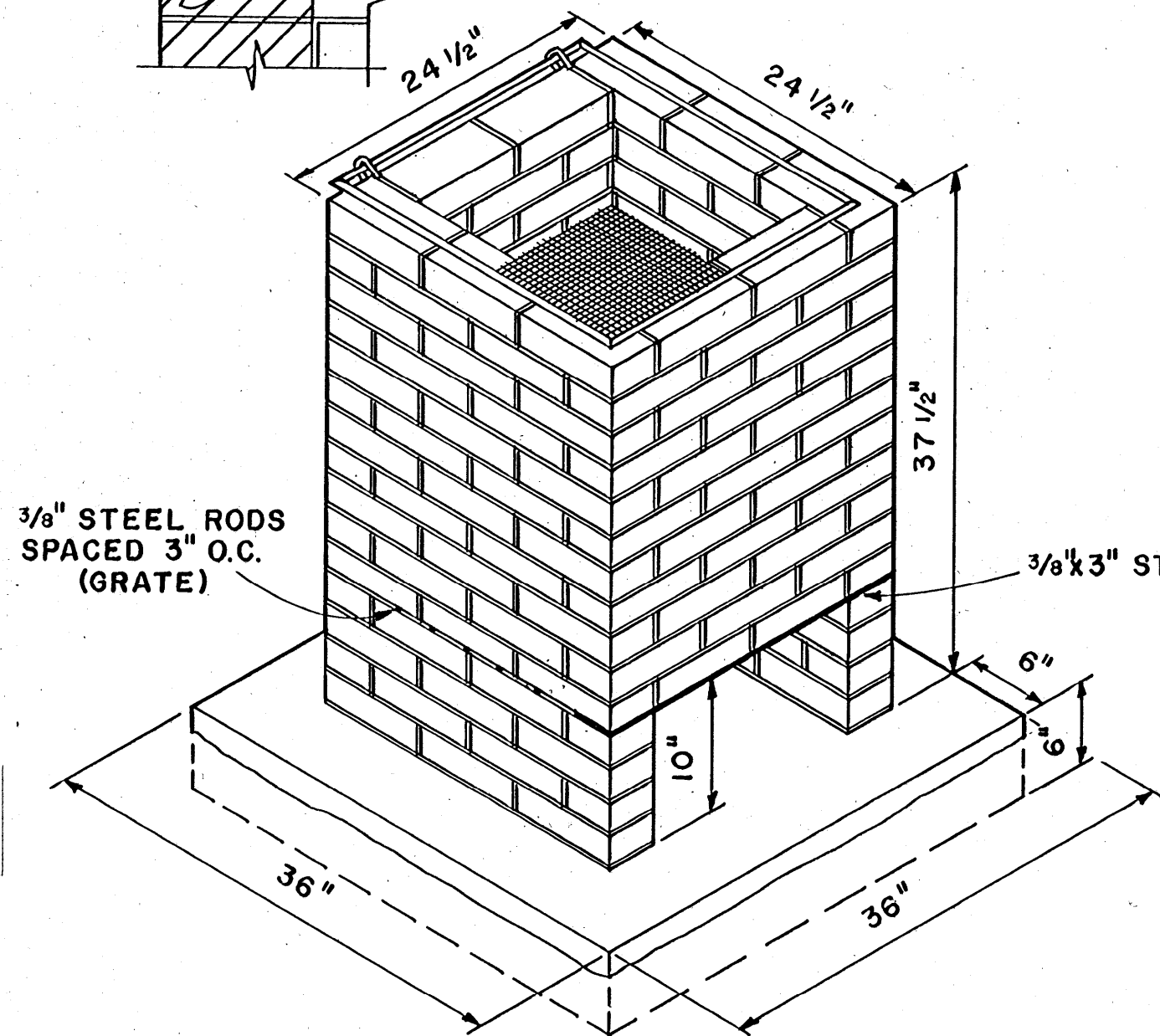
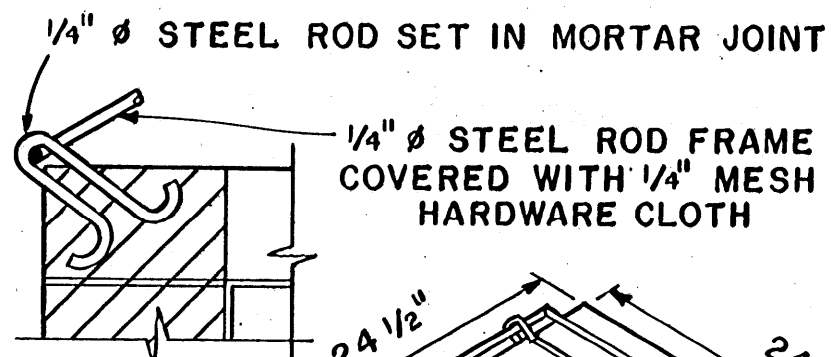
NOTE:  
 3/8" MORTAR JOINTS.  
 VOIDS IN TOP COURSE OF BLOCK TO BE FILLED WITH MORTAR.



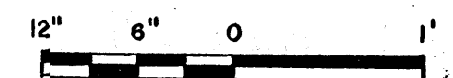
**BLOCK TRASH BURNER**

**BILL OF MATERIALS**

- FOR BASE:  
 1 SACK PORTLAND CEMENT  
 2 CU. FT. SAND  
 3 CU. FT. GRAVEL  
 6 GALLONS WATER
- FOR TRASH BURNER:  
 150 COMMON RED BRICK (NEW OR USED)  
 1 SACK MASONRY CEMENT  
 3 CU. FT. SAND
- HARDWARE:  
 1 PC. 3/8"x3" STEEL PLATE 24" LG.  
 5 PCS. 3/8" Ø STEEL ROD 24" LG. (GRATE)  
 1 PC. 1/4" Ø STEEL ROD 9" LG.  
 1 PC. 1/4" MESH HARDWARE CLOTH 24" SQUARE



**BRICK TRASH BURNER**



SCALE: 1"=1'-0" UNLESS OTHERWISE NOTED.

COOPERATIVE EXTENSION WORK IN  
 AGRICULTURE AND HOME ECONOMICS  
 STATE OF MISSISSIPPI  
 MISSISSIPPI STATE UNIVERSITY  
 AND  
 UNITED STATES DEPARTMENT OF AGRICULTURE COOPERATING

**TRASH BURNERS**  
3 TYPES

USDA TEXAS '76 6260 SHEET 1 OF 1