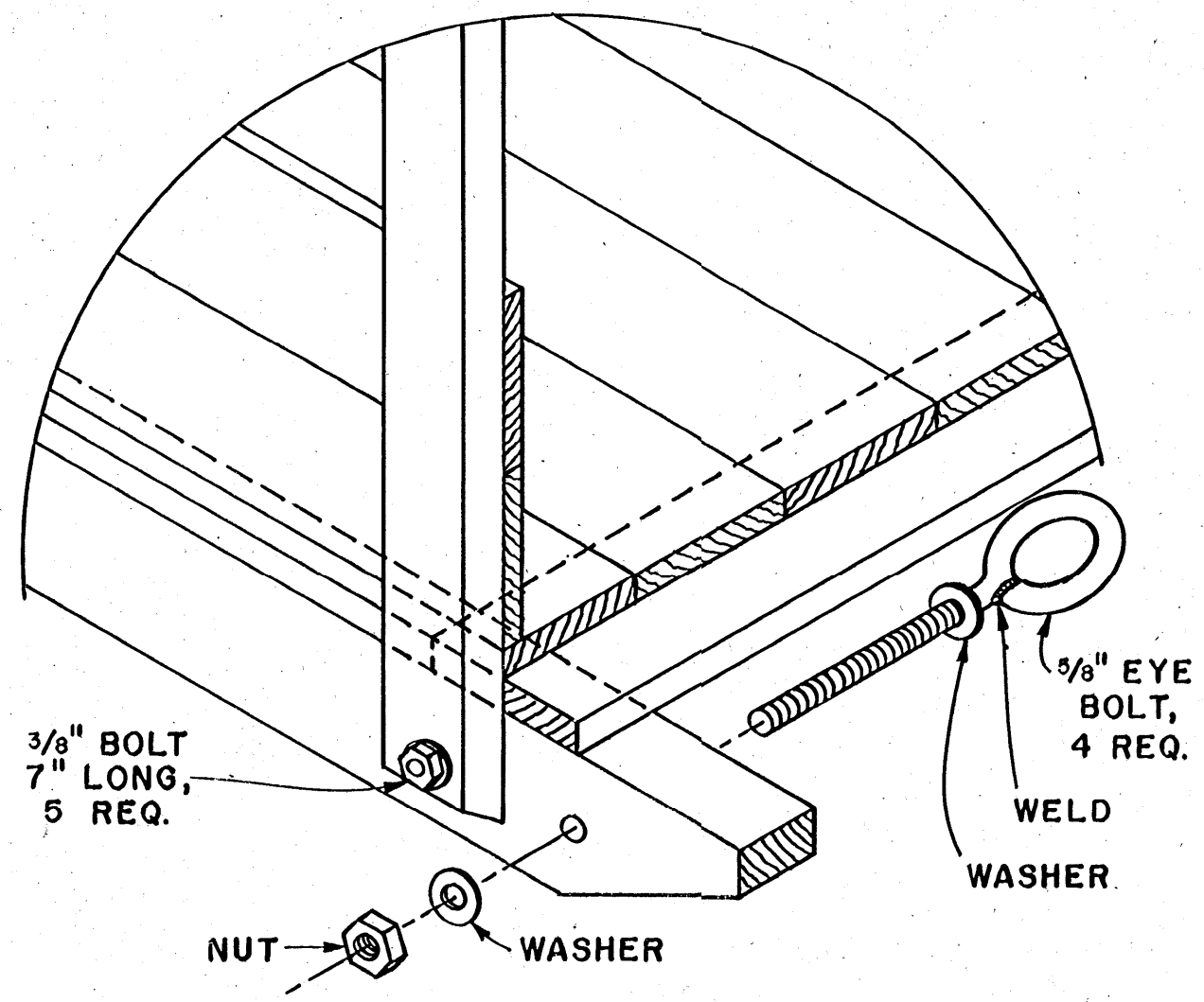
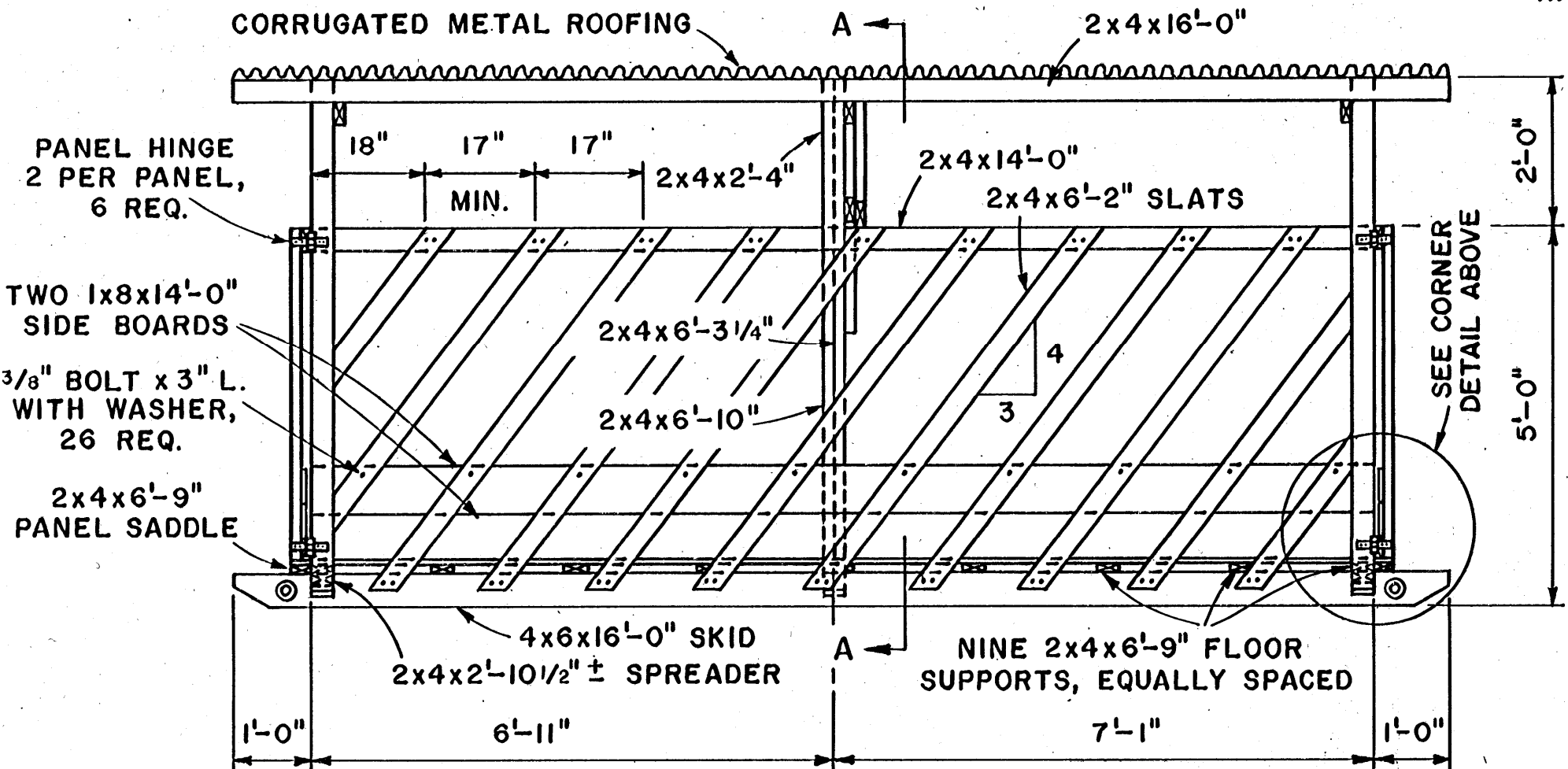


PLAN

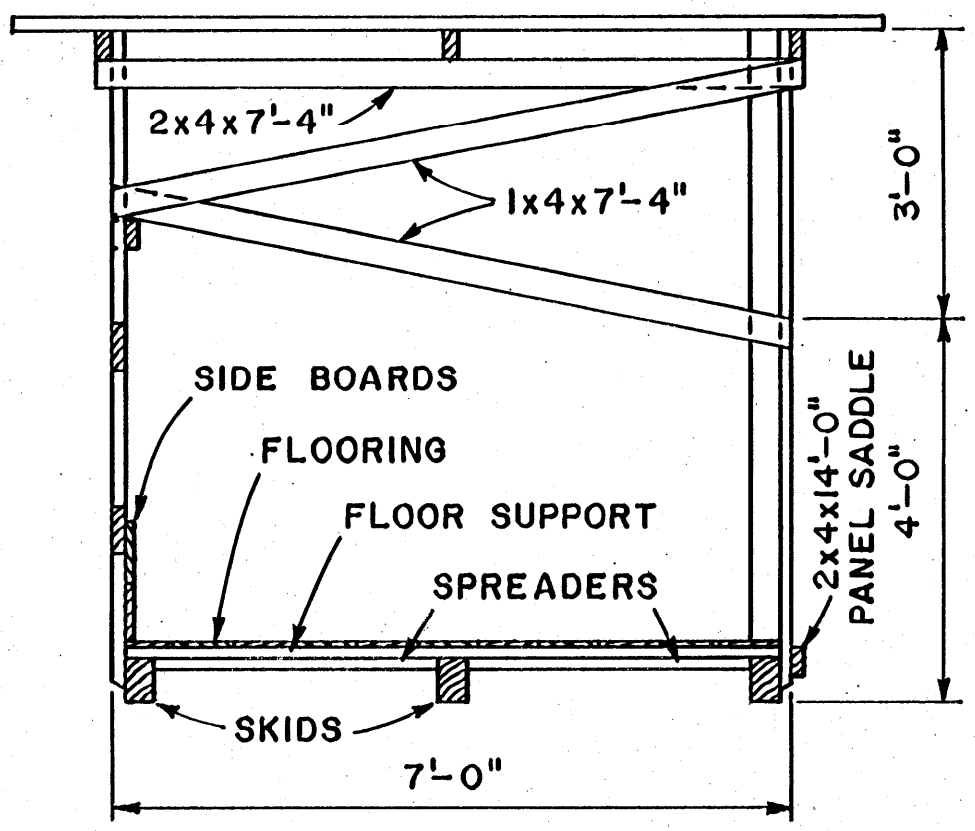


CORNER DETAIL
NOT TO SCALE

NOTE:
FEEDER DESIGN FOR TWO BALES OF MAX. SIZE 6' LENGTH, 6' DIAMETER. FOR SINGLE BALE FEEDER, BUILD TO ONE-HALF THE LENGTH. ALL WOOD TO BE PRESSURE-TREATED. NAILS AND BOLTS SHOULD BE GALVANIZED OR COATED. FEEDER DESIGNED FOR SIDE OR END LOADING. FEEDER CAN ALSO BE USED FOR CONVENTIONAL BALES HANDLED IN BULK.



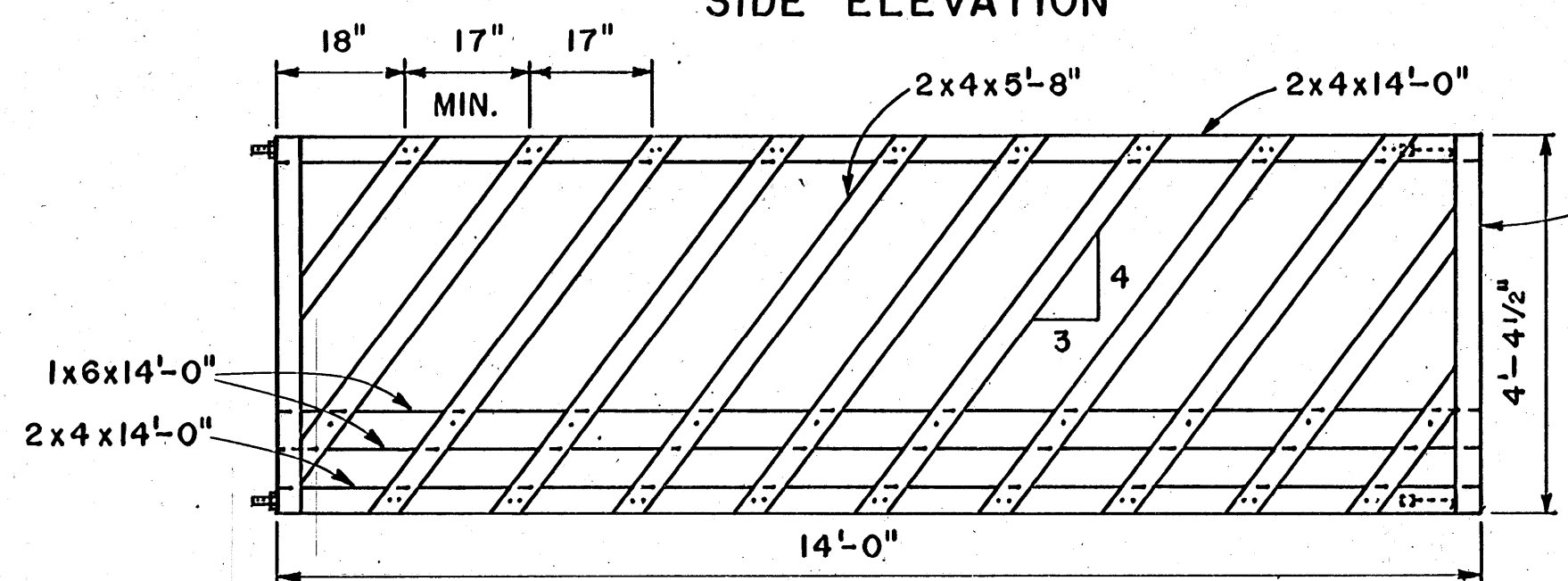
SIDE ELEVATION



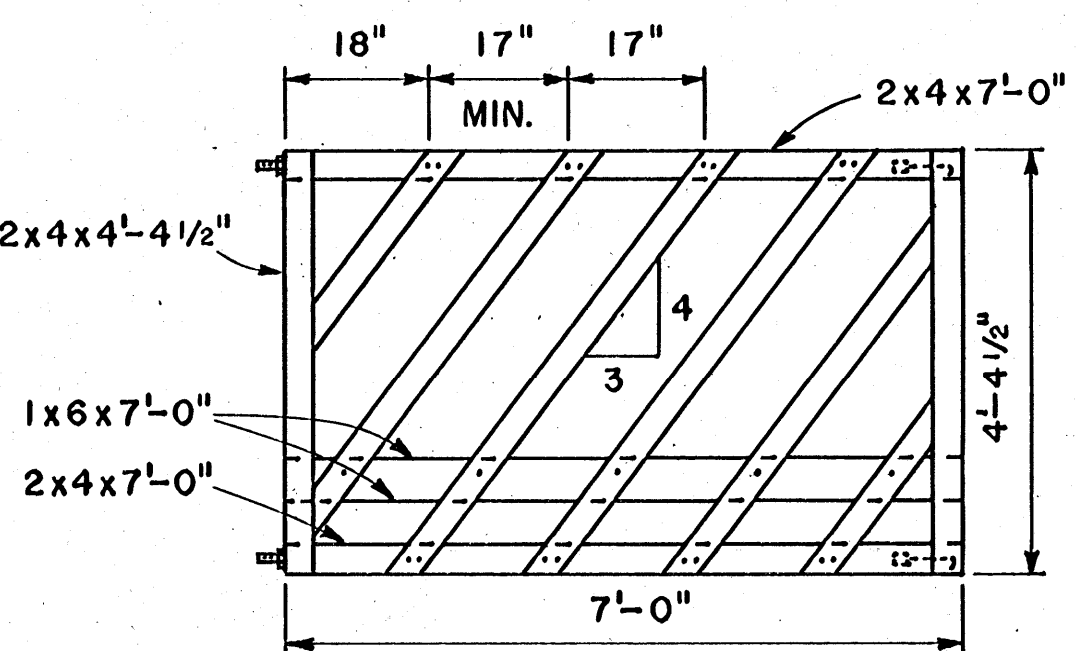
SECTION "A-A"

MATERIAL LIST:

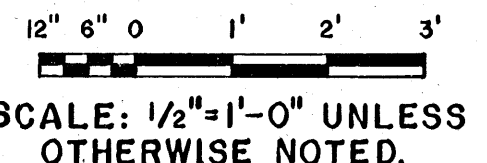
- 3-4x6x16'-0" SKIDS.
 - 12-1x8x14'-0" BUNK.
 - 4-1x6x14'-0" BUNK.
 - 1-1x4x8'-0" BRACE.
 - 5-2x4x16'-0" PURLINS, BRACE, RAFTERS.
 - 14-2x4x14'-0" SIDE PANEL FRAME, FLOOR JOISTS, POSTS.
 - 15-2x4x12'-0" SLATS.
 - 5-2x4x10'-0" END PANEL FRAME.
 - 2 2x4x14'-0" PANEL SADDLES.
- HARDWARE:
- 9x16' CORRUGATED METAL ROOF & NAILS.
 - 5-3/8"x7" BOLTS WITH WASHERS AND NUTS.
 - 6-PANEL HINGES WITH SCREWS.
 - 6-STEEL HOOKS AND STAPLE PLATES.
 - 4-5/8" EYE BOLTS WITH WASHERS AND NUTS.
 - 26-3/8"x3" BOLTS WITH WASHERS AND NUTS.
 - NAILS-8d, 10d, 20d.



SIDE PANEL



END PANEL
2 REQ.



COOPERATIVE EXTENSION WORK IN AGRICULTURE AND HOME ECONOMICS
STATE OF MISSISSIPPI
MISSISSIPPI STATE UNIVERSITY
AND
UNITED STATES DEPARTMENT OF AGRICULTURE COOPERATING

PORTABLE FEEDER FOR BIG BALES

W. VA. '76	6249	SHEET 1 OF 1
------------	------	--------------