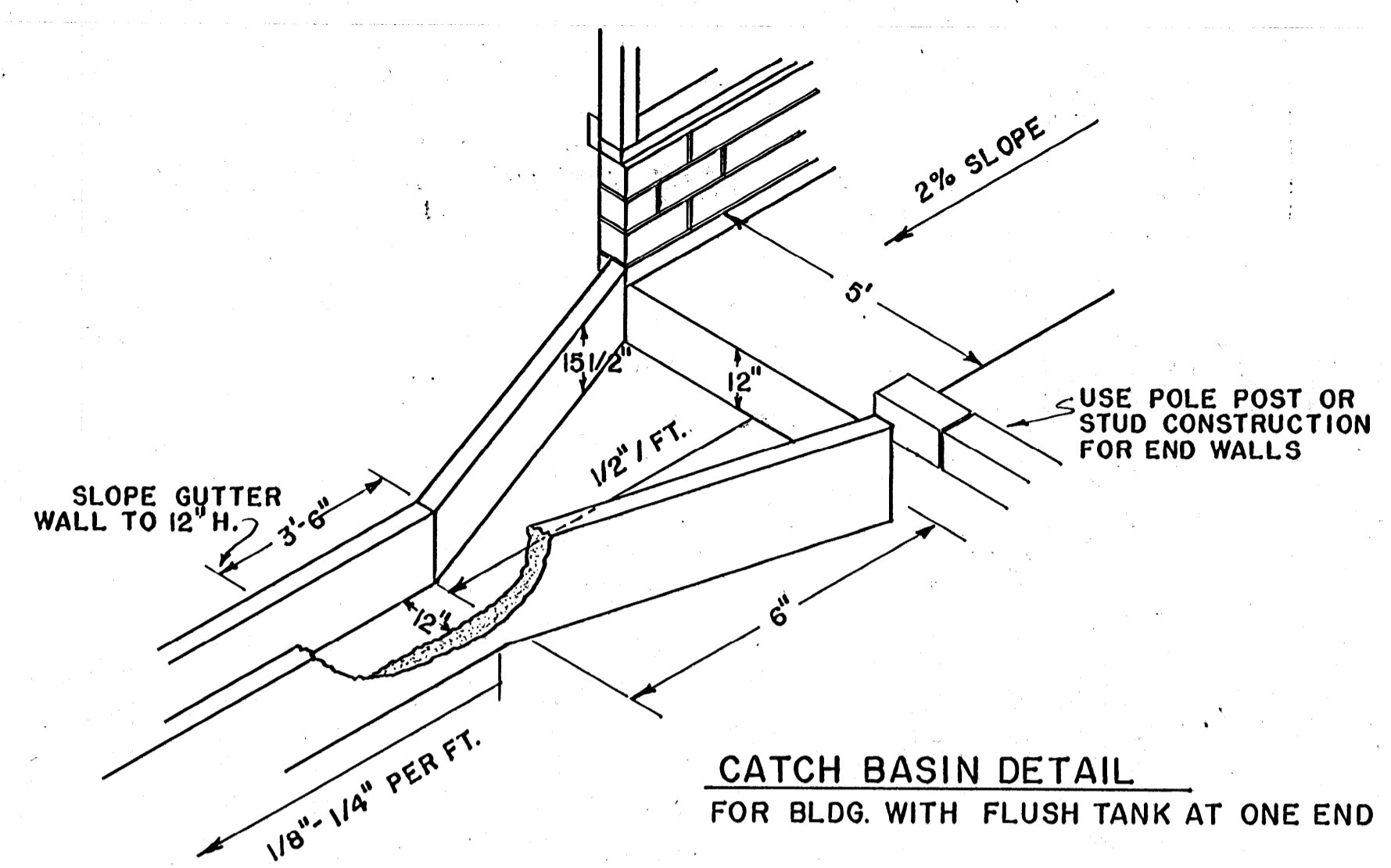


SUGGESTED SITE LAYOUT



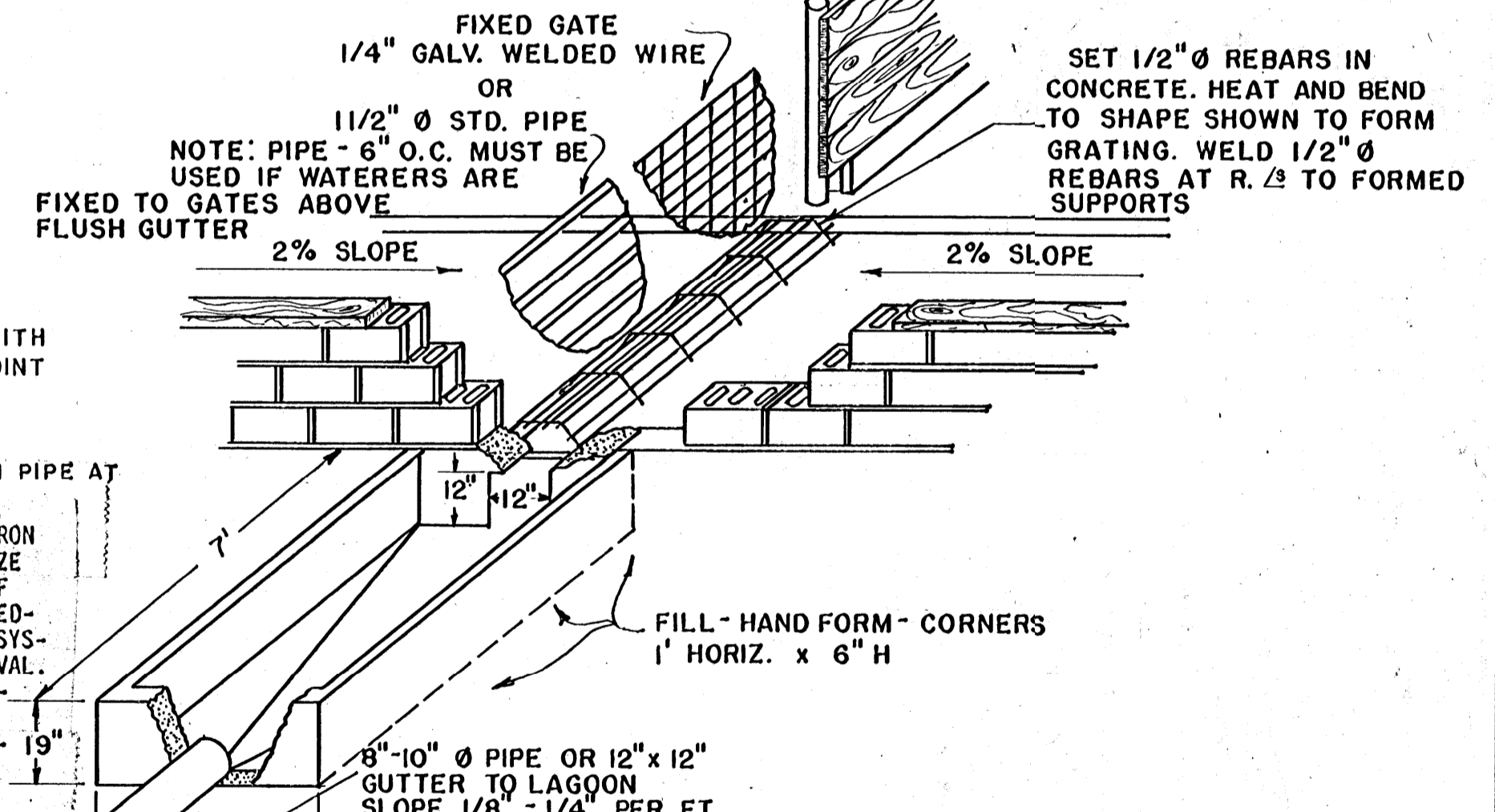
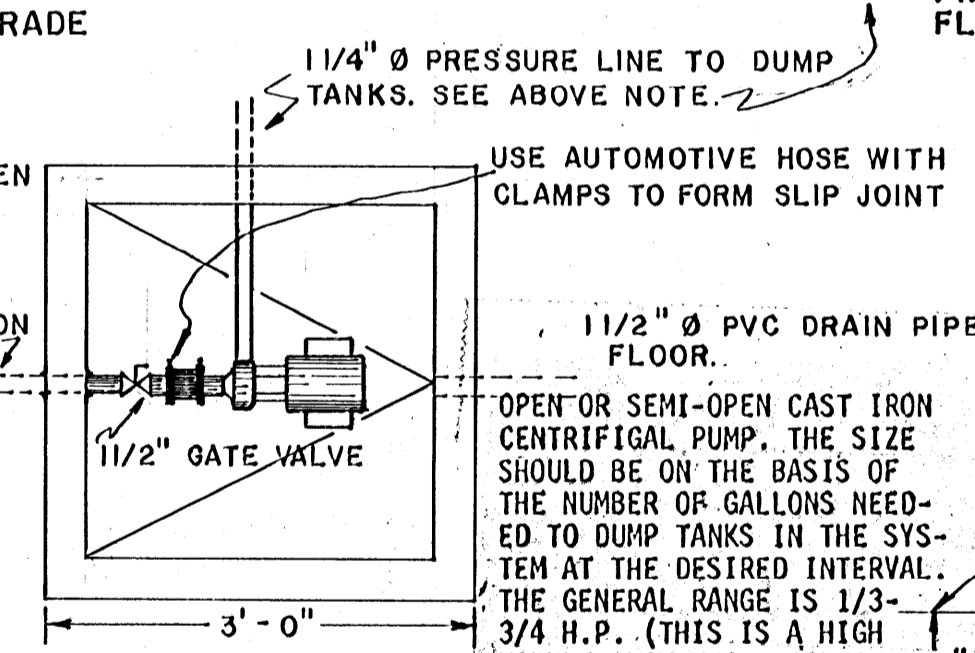
NOTE: MIN. CAPACITY OF CATCH BASIN IS 75% OF DUMP TANK.

NOTE: THE SIZE PIPE SPECIFIED GENERALLY SHOULD BE USED EVEN IF THE PUMP PORTS DIFFER.

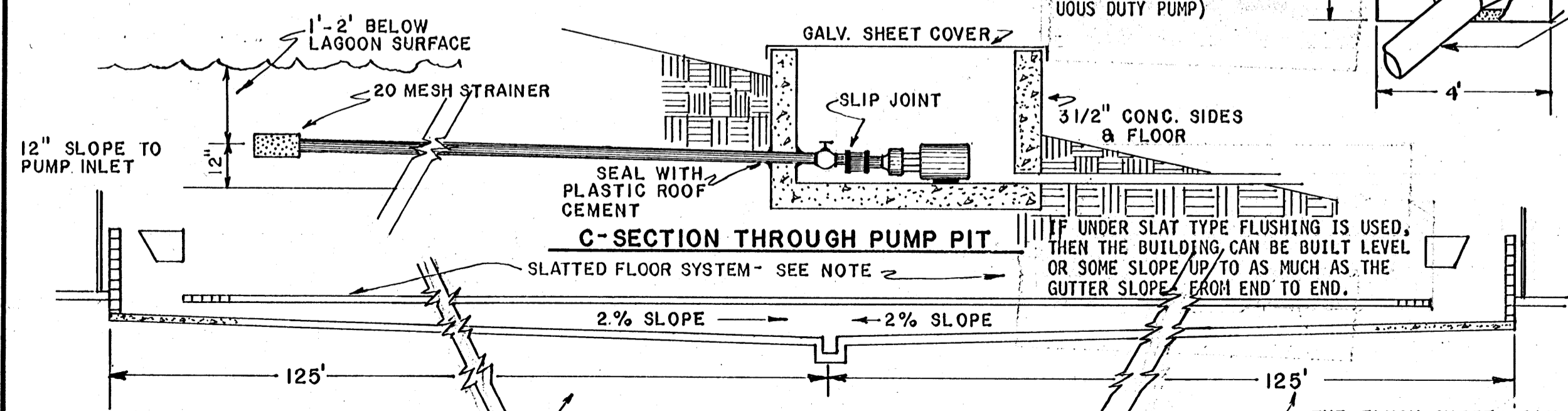
1" - 1 1/4" Ø PVC PIPE 12" BELOW GRADE

USE 20 MESH SCREEN ON INLET 1-2 FT. BELOW LAGOON SURFACE.

1 1/2" Ø P.V.C. SUCTION LINE FROM LAGOON



CATCH BASIN DETAIL FOR BLDG. WITH FLUSH TANK AT EACH END



LONG. SECTION THROUGH FLUSH GUTTER

IF OPEN GUTTER TYPE FLUSHING IS USED THE BUILDING MUST BE BUILT WITH THE SAME SLOPE AS THE GUTTER FROM END TO END.

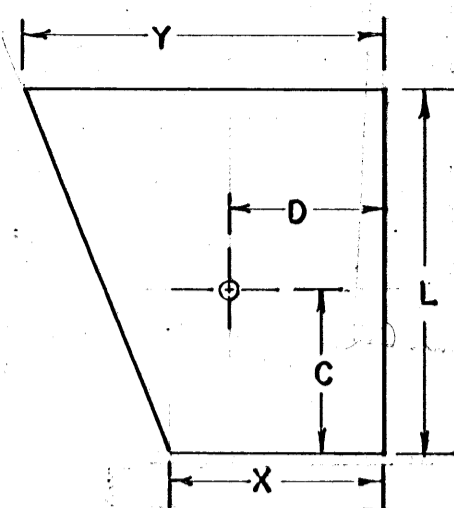
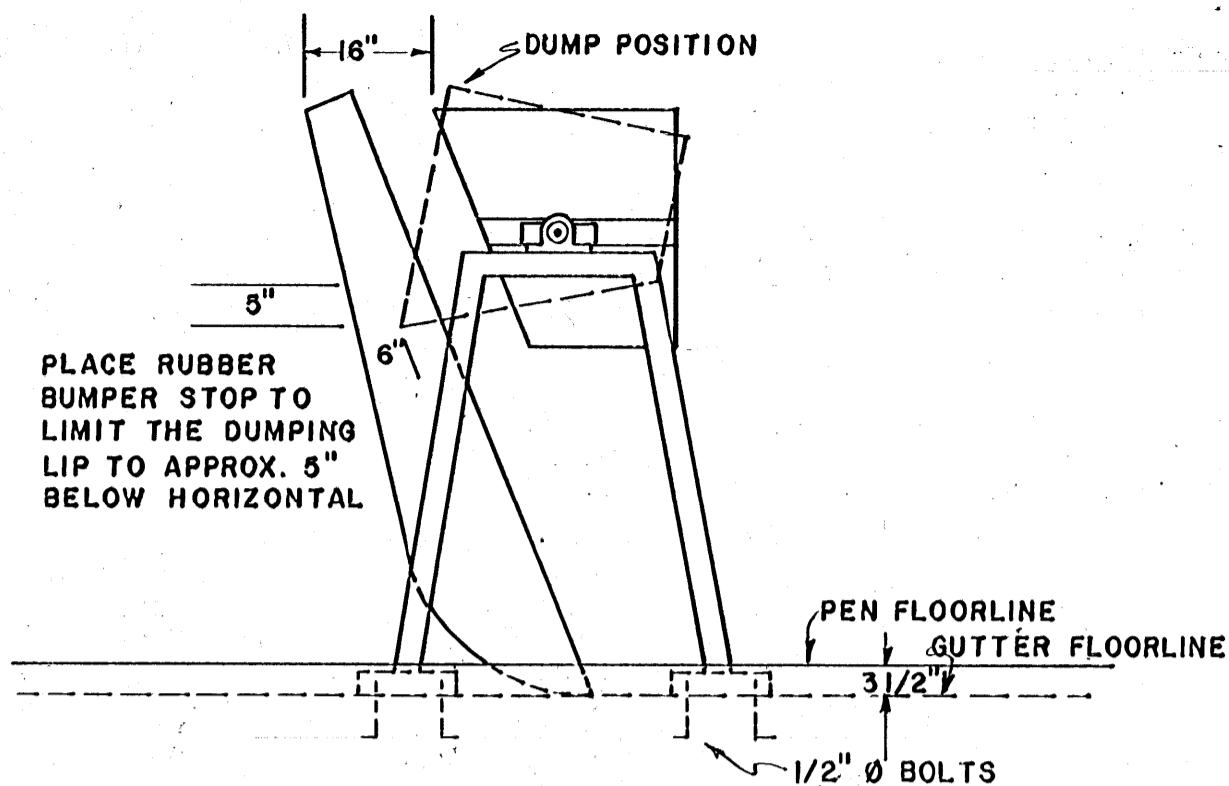
THE FLUSH GUTTER CAN BE A MAXIMUM OF 125' L. IF THE FLUSH DISTANCE IS GREATER THAN THIS - SLOPE THE GUTTER TO THE CENTER AND FLUSH AT EACH END. SEE CATCH BASIN DETAIL THIS SHEET.

HOG WASTE HANDLING SYSTEM		PL. NO. 6238-A
FLUSH SYSTEMS-CATCH BASINS-DUMP & PIPING & SLOPES		
 <small>MISSISSIPPI COOPERATIVE EXTENSION SERVICE MISS. STATE UNIVERSITY USDA and COUNTIES COOPERATING</small>	DESIGN BY: LEE MILLER	SHEET
	DRAWN BY: MIKE THRASHER	1
DATE: APRIL, 1978	OF 2	

SIZING DUMP TANK FOR VARYING BUILDING LENGTHS

Gal./ft. of tank length	Gutter length (ft)	X	Y*	L	C	D
40	80-120	18	36	30	15½	14½
30	60-80	18	33	24	12½	13
24	Less than 60	18	30	20	10½	12

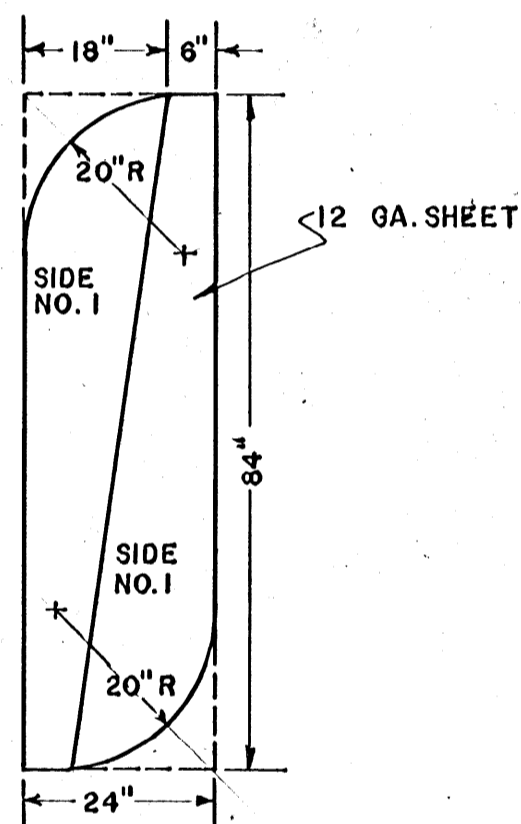
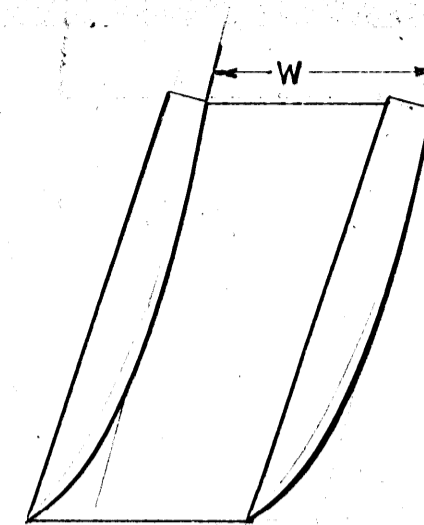
*Excluding angle iron frame.



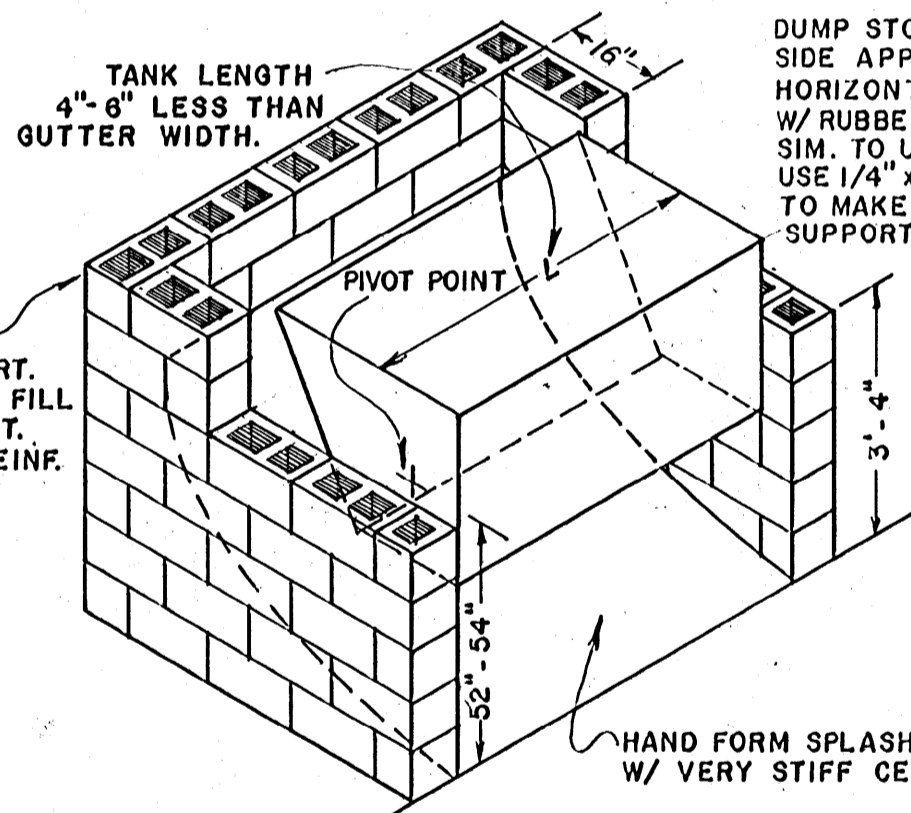
NOTE: THE CENTER OF THE AXLE, AT THE PIVOT POINT, IS LOCATED 1/2 INCH ABOVE THE CENTER OF THE TANK WHEN MEASURED FROM TOP TO BOTTOM. THIS IS A CONSTANT FIGURE REGARDLESS OF TANK DEPTH. IF THE TANK DUMPS BEFORE IT IS FULL, SHIFT THE PILLOW BLOCK BEARING TOWARD THE DUMPING EDGE. IF IT OVERFLOWS WITHOUT DUMPING, MOVE THE PILLOW BLOCK TOWARD THE OPPOSITE EDGE.

SIZING DUMP TANK FOR VARYING GUTTER WIDTHS

Gutter Width, ft.	4	5	6
Tank Length, in.	41	53	65
Splashback Width, in.	47	59	71



1 1/2" Ø DEFORMED REBARS IN CELLS VERT. FROM FLOOR TO TOP. FILL ALL CELLS W/ CEMENT. USE MORTAR JOINT REINF. IN ALL HORIZONTAL JOINTS.

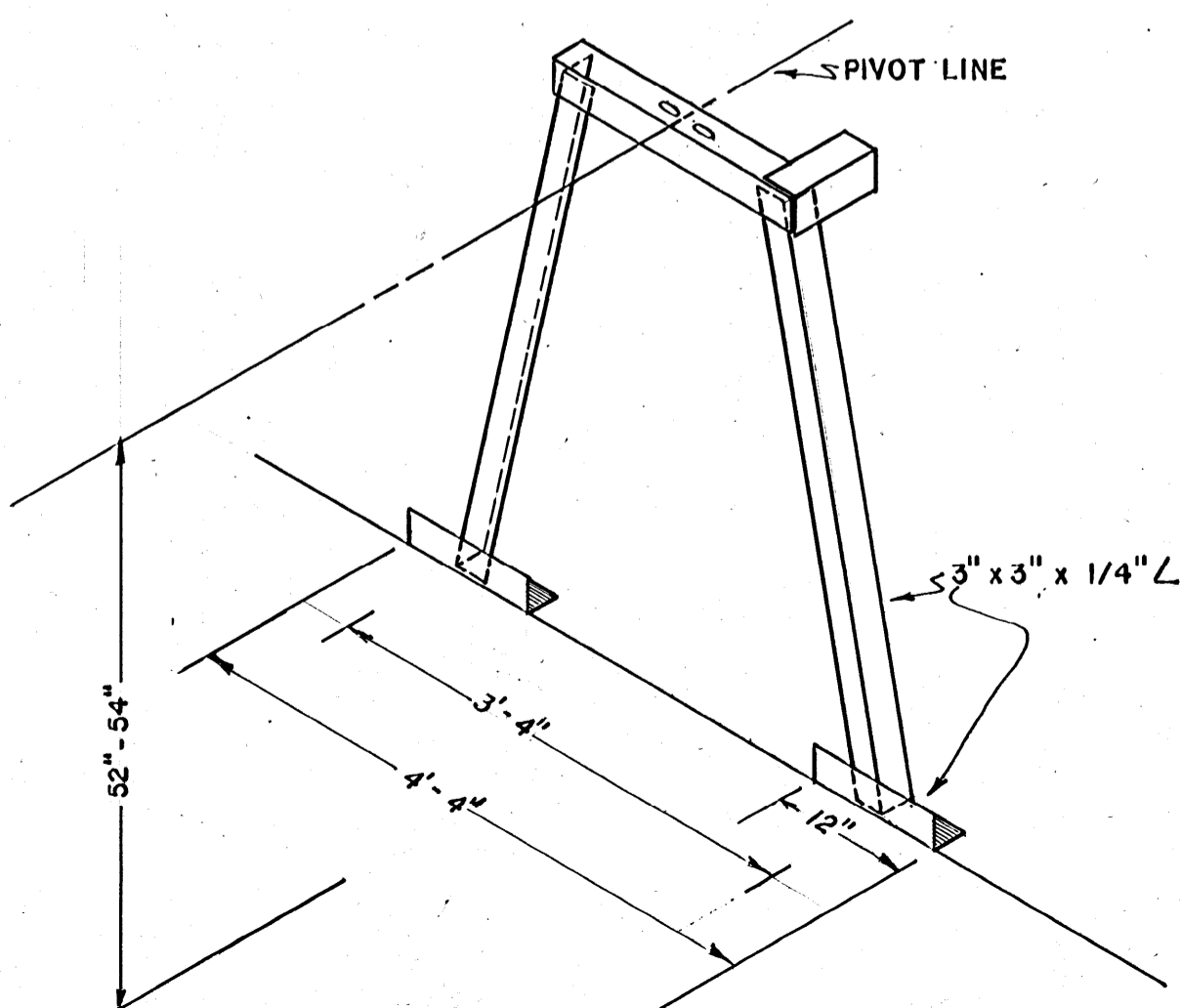


MOUNT 1 1/2" Ø PILLOW BLOCK W/ SEALED BALL BEARINGS. CUT MOUNTING SLOTS FOR MIN. 1" ADJ. FRONT TO BACK.

DUMP STOP. STOP TANK SIDE APPROX. 5" FROM HORIZONTAL. MOUNT W/ RUBBER BUMPER SIM. TO UPRIGHT STOP. USE 1/4" x 3" x 3" TO MAKE END MOUNTING SUPPORT.

3/8" x 6" x 24" PLATE. CUT SLOTS 7/8" W. x 2" L. MOUNT W/ 3/4" x 12" BOLTS. SET PLATE IN PLACE WHEN BLOCK CELLS ARE FILLED. SNUG NUTS TO FORM SEAT FOR PLATE IN WET CEMENT. LEAVE UNTIL SET.

UPRIGHT STOP. LENGTH LONG ENOUGH TO CATCH ANGLE ON TANK BUT SHORT ENOUGH TO CLEAR TANK WHEN DUMPING. MOUNT RUBBER BUMPER (3" - 3 1/2" BOTTLE STOPPER) TO CUSHION SHOCK.



HOG FLUSH TANK CONSTRUCTION	PL. NO. 6238-A	
FLUSH TANK CONSTRUCTION 2 METHODS OF TANK SUPPORT CONSTRUCTION 2 METHODS OF SPLASHBACK CONSTRUCTION		
MCES MISSISSIPPI COOPERATIVE EXTENSION SERVICE MISS. STATE UNIVERSITY USDA and COUNTIES COOPERATING	DESIGN BY: LEE MILLER	SHEET 2 OF 2
	DRAWN BY: MIKE THRASHER	
	DATE: APRIL, 1978	