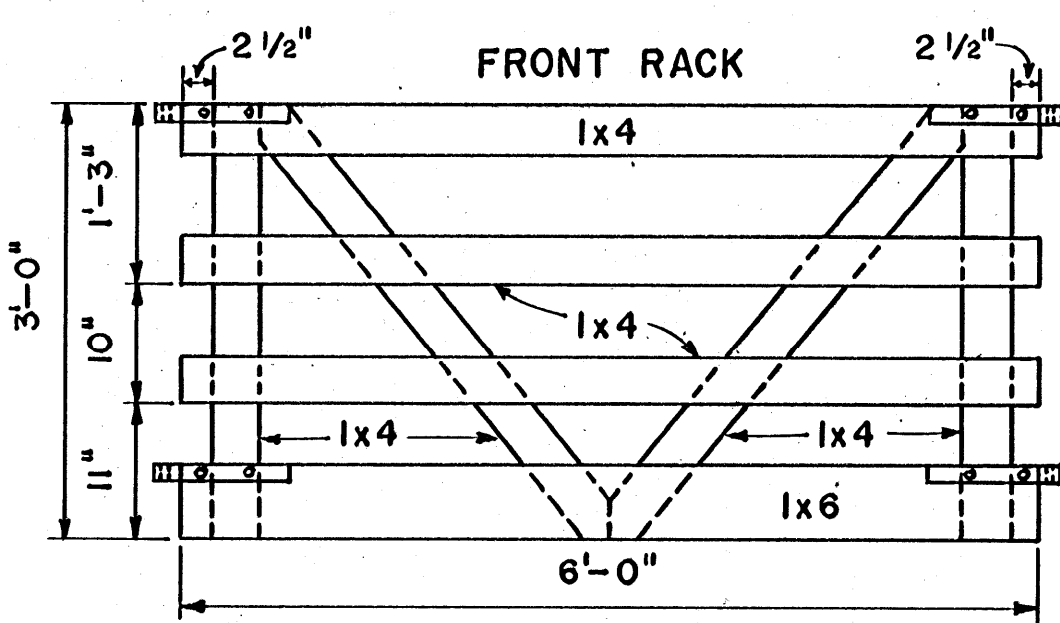
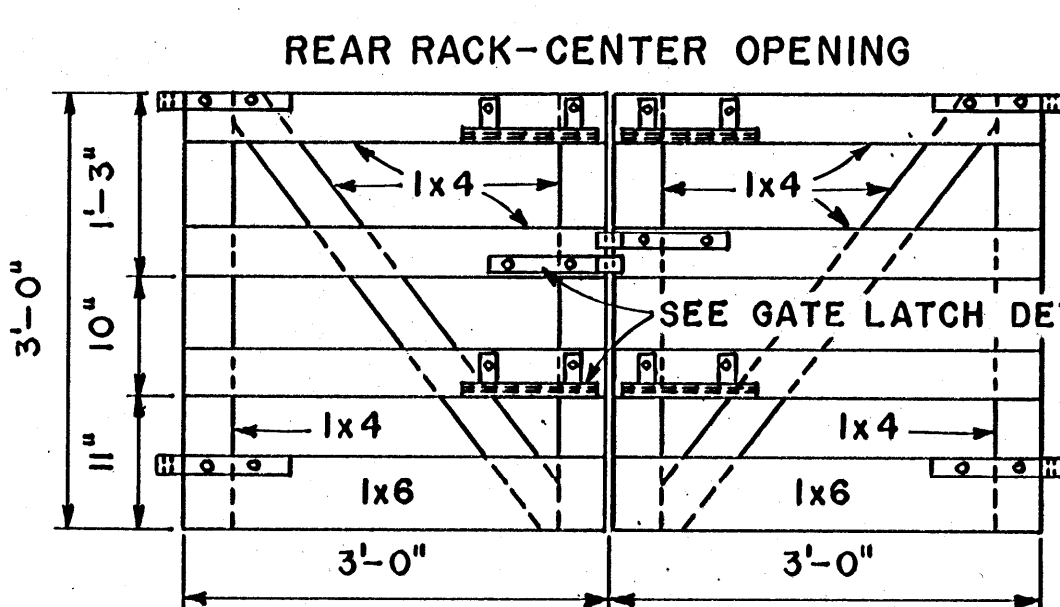
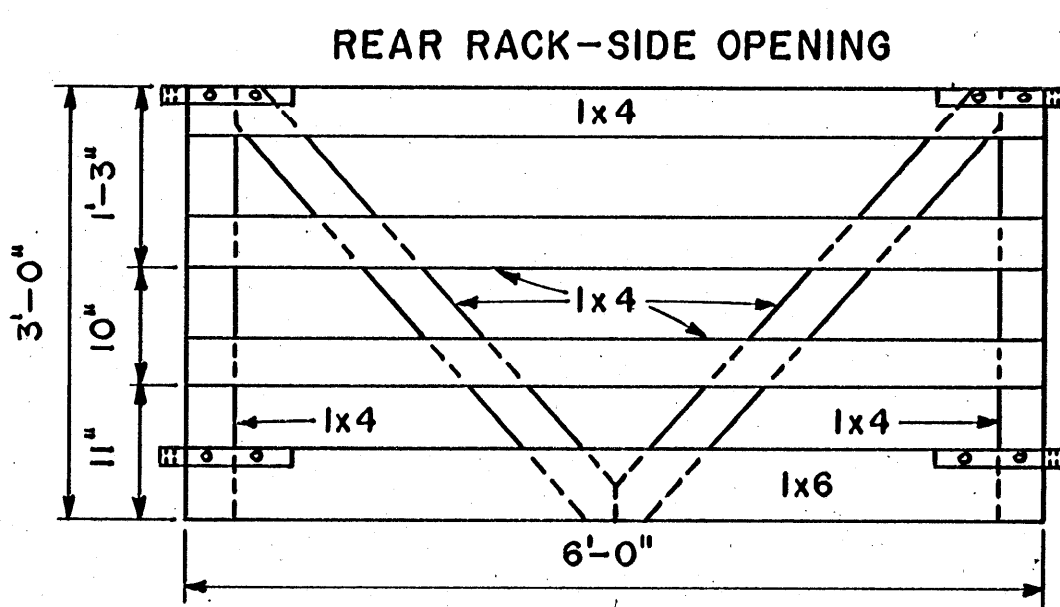
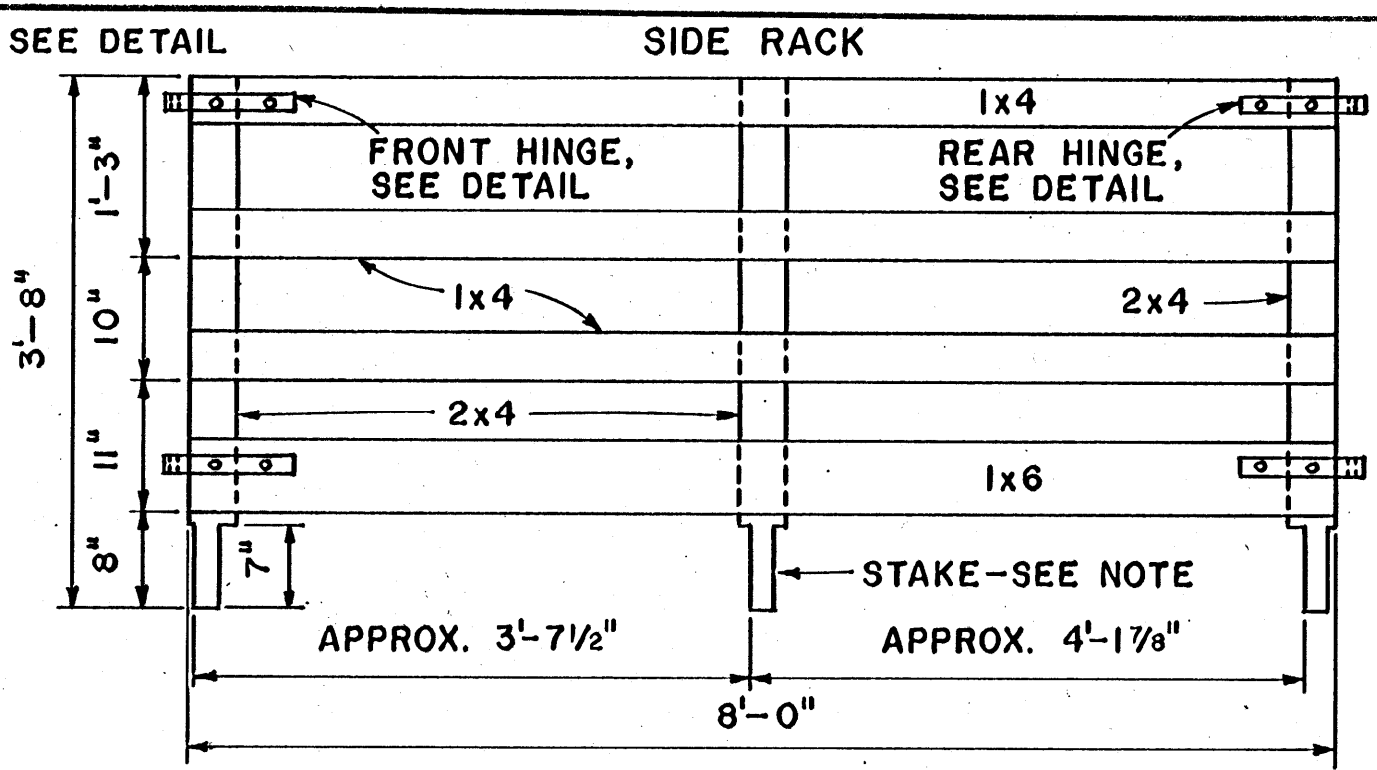
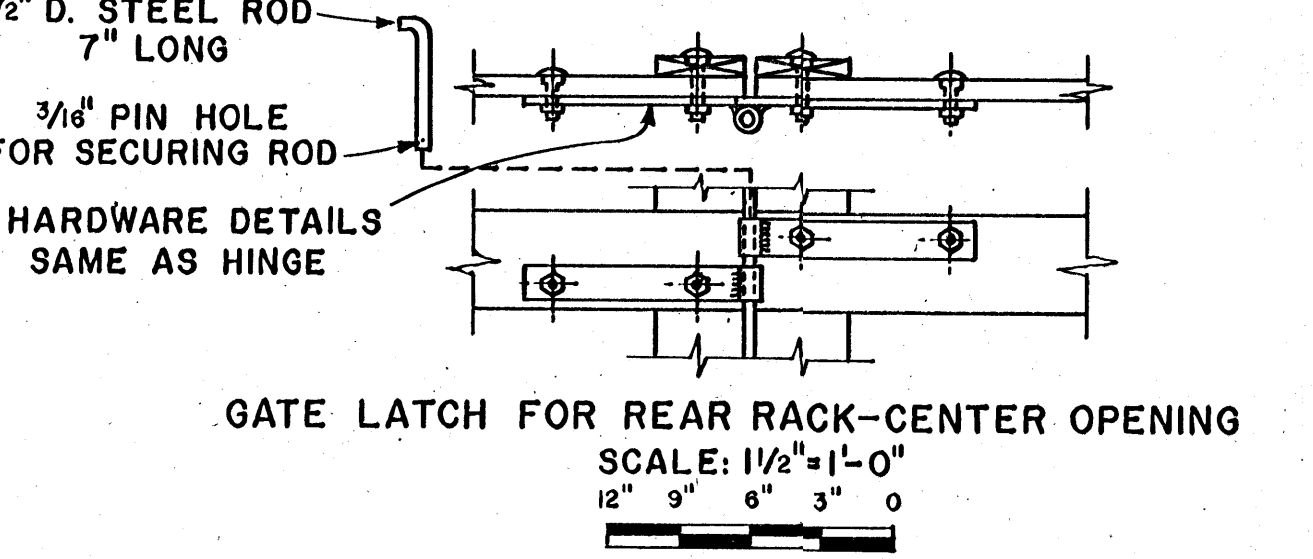
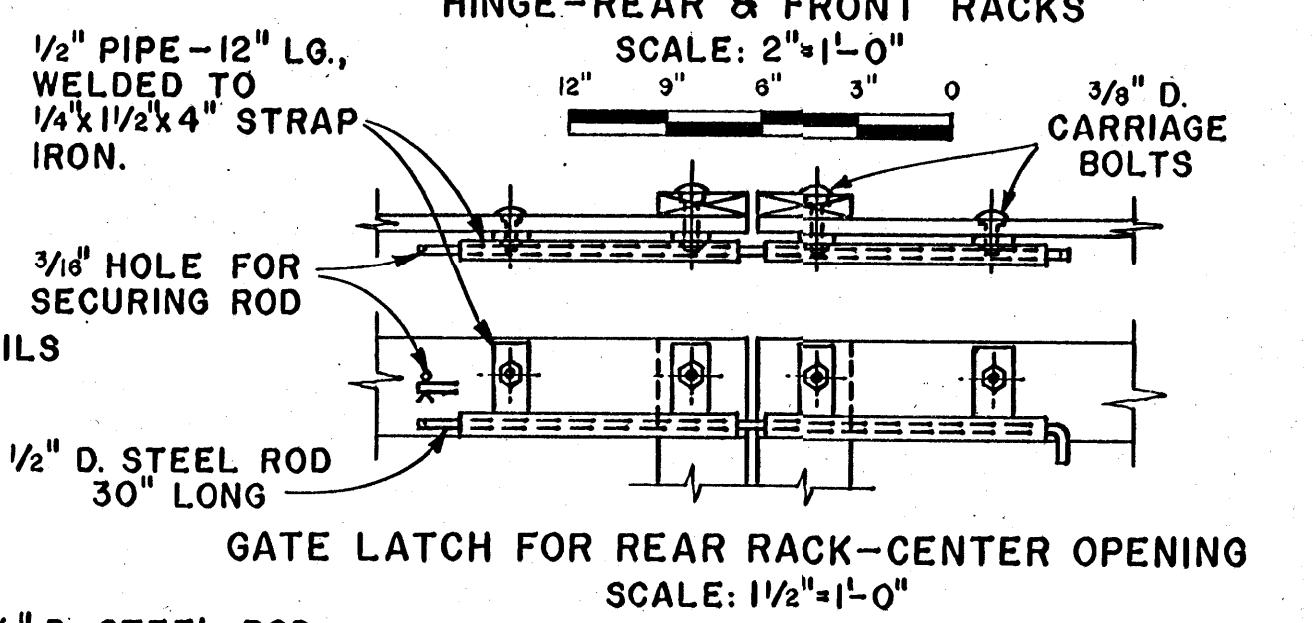
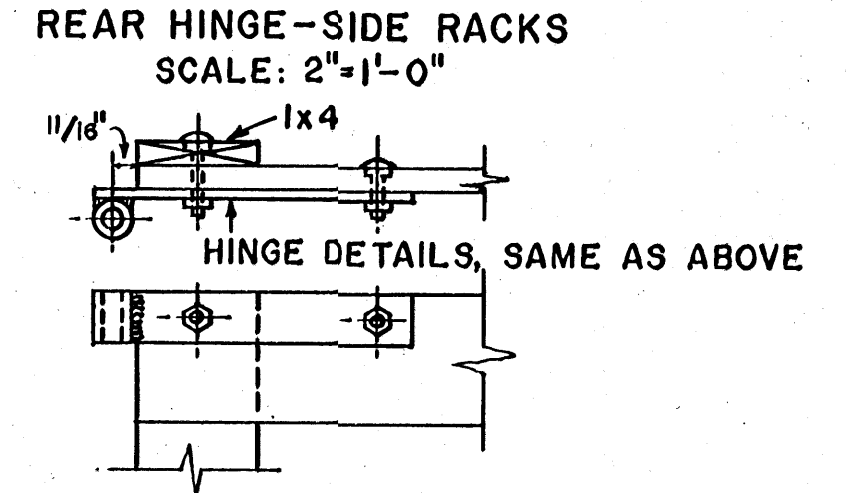
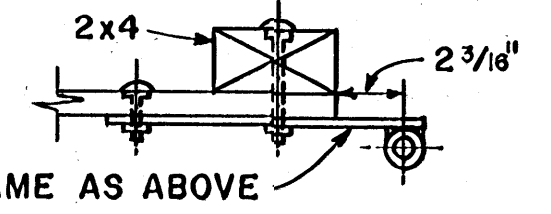
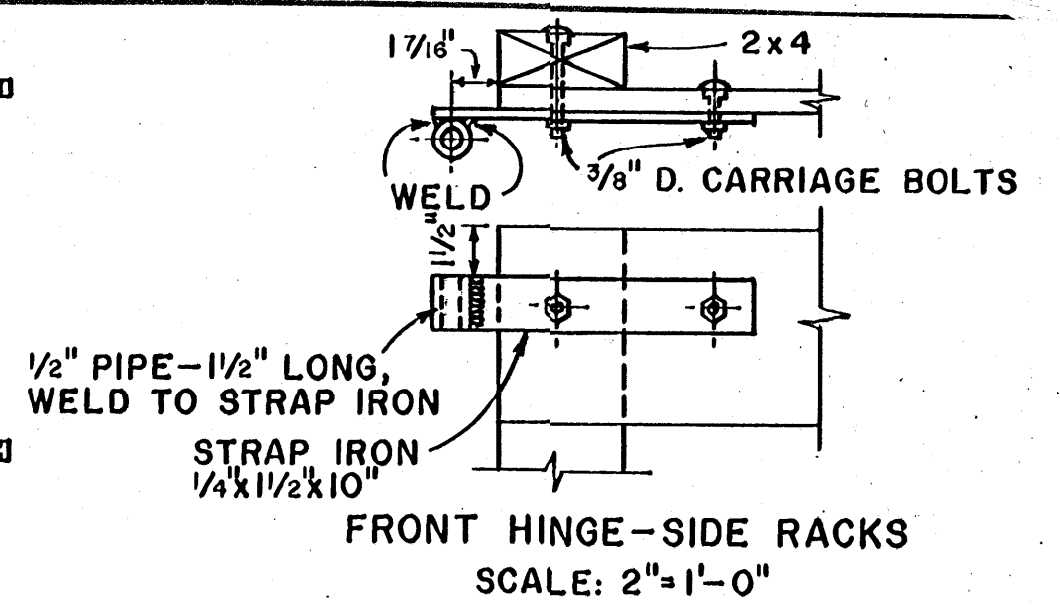


HEAVY DUTY RACKS



LIGHT DUTY RACKS

NOTE:
 STAKE PLACEMENT SHOULD BE CHECKED AGAINST SLOTS IN SPECIFIC TRUCK THEN SPACED TO FIT. ALL WOODEN MEMBERS TO BE FASTENED WITH TWO 3/8" DIA. CARRIAGE BOLTS AT EACH JOINT.
 REVERSAL STRAP HINGE OR STEEL PINTLE HINGE MAY BE USED FOR RACK HINGES. SIDE HINGE, BARREL BOLT OR HINGE HASPS MAY BE USED FOR GATE LATCH.
 TIMBER SHOULD BE SURFACED AND KNOT FREE.
 SCALE: 3/4"=1'-0" UNLESS OTHERWISE NOTED.



HARDWARE DETAILS

COOPERATIVE EXTENSION WORK IN
 AGRICULTURE AND HOME ECONOMICS
 STATE OF MISSISSIPPI
 MISSISSIPPI STATE UNIVERSITY
 AND
 UNITED STATES DEPARTMENT OF AGRICULTURE COOPERATING

PICK-UP TRUCK RACKS