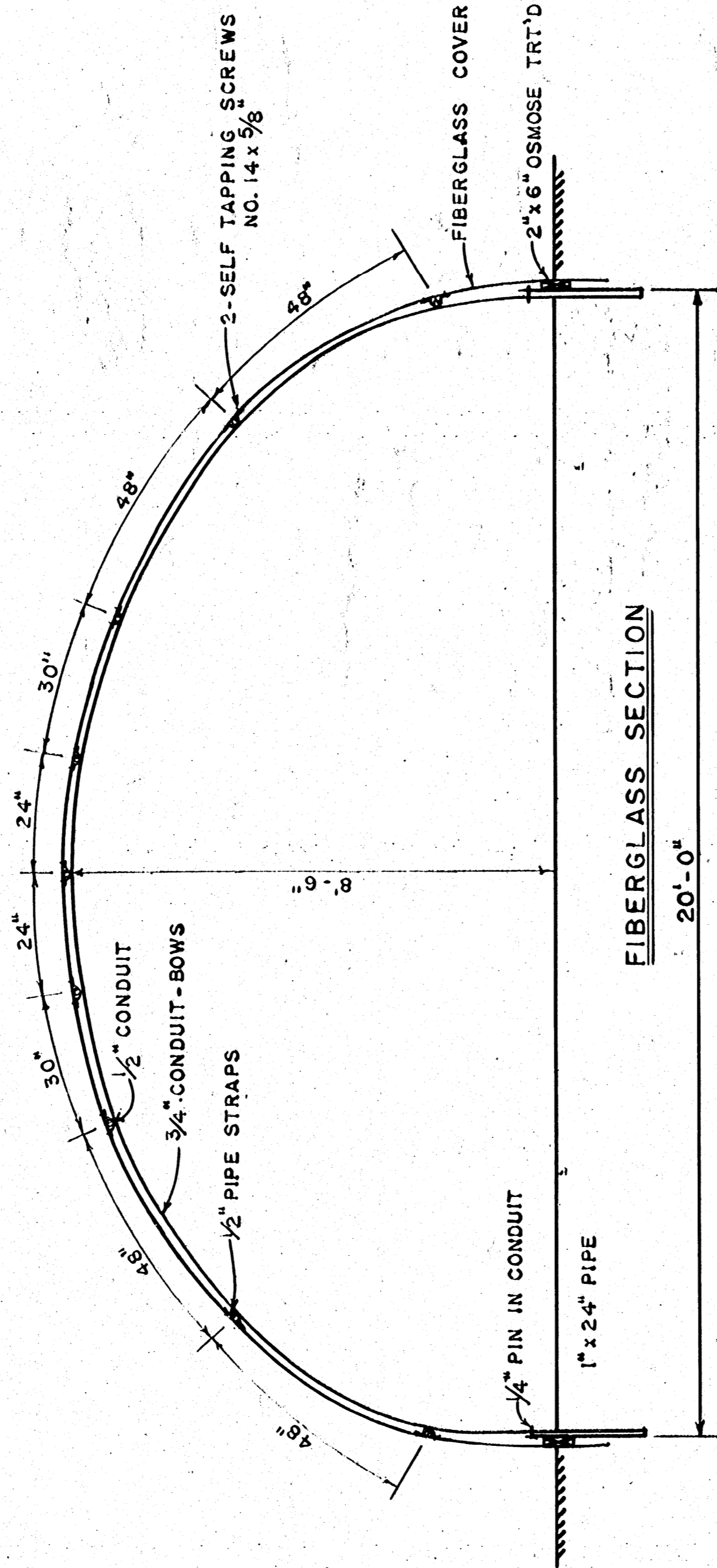
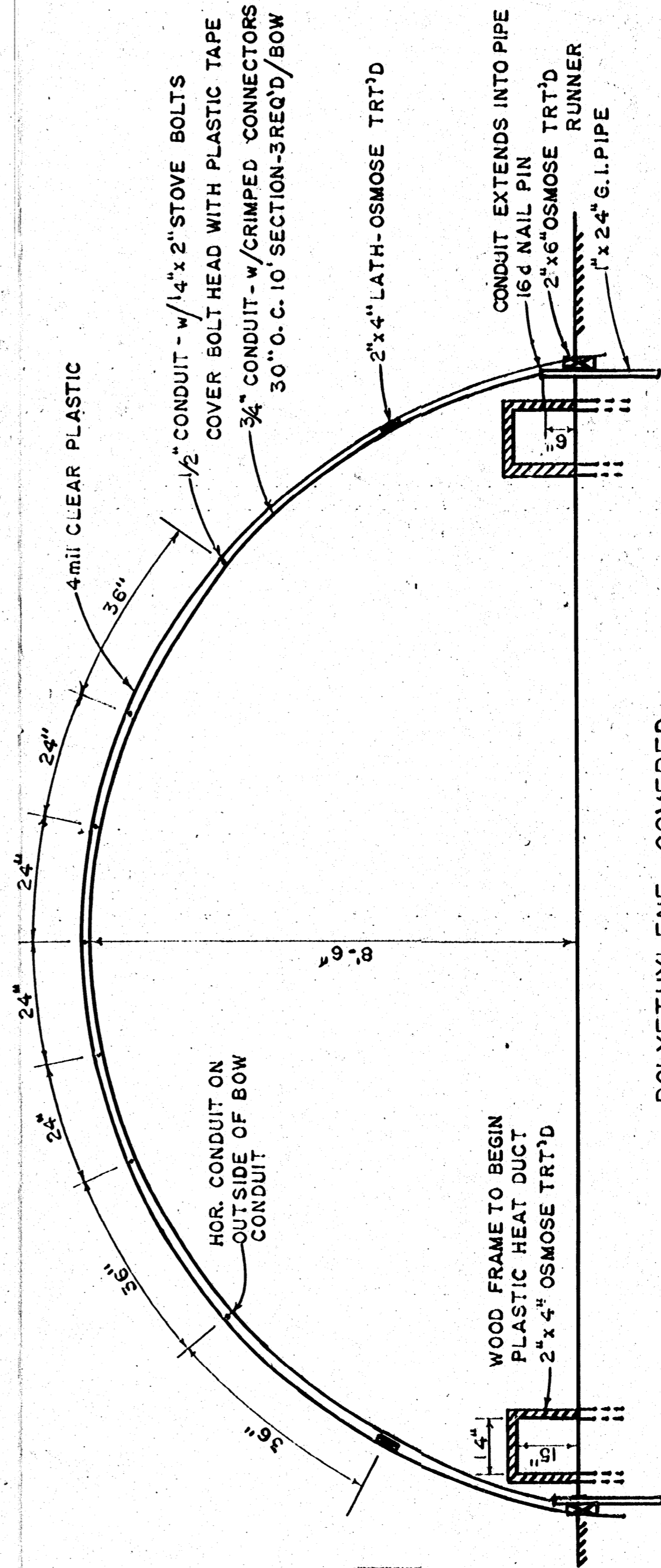


END FRAMING



FIBERGLASS SECTION

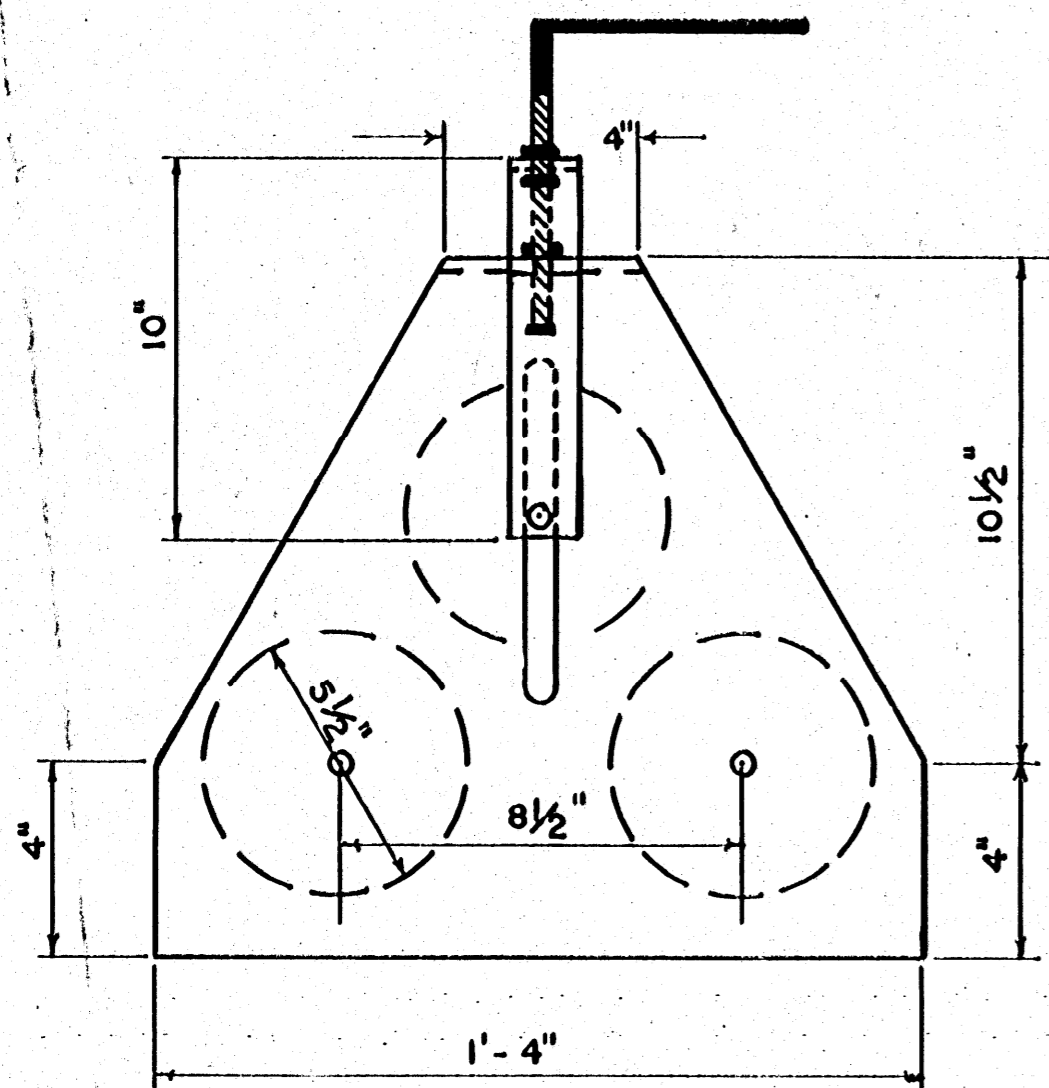


POLYETHYLENE COVERED SECTION

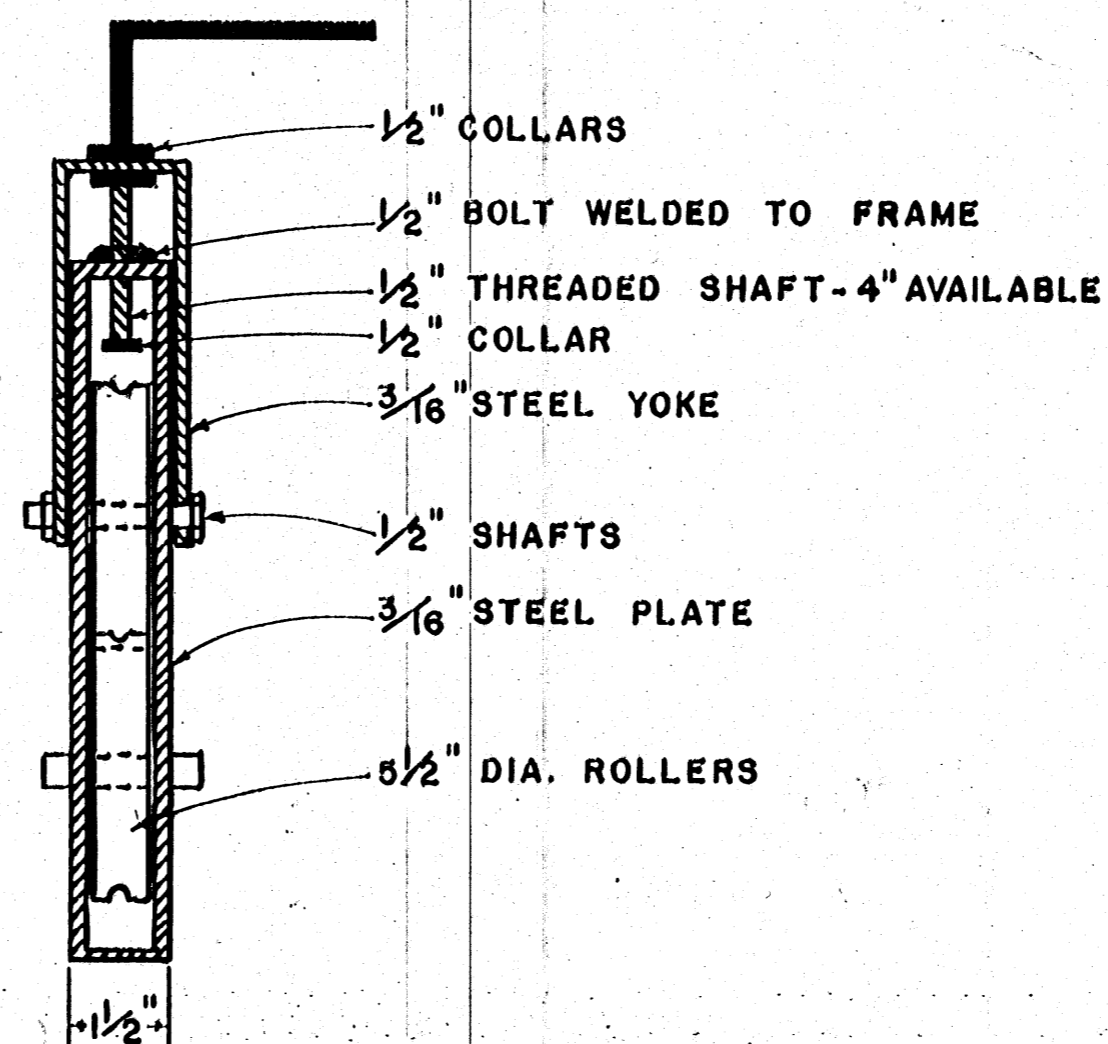
SECTION

Scale: 1/2" = 1'-0"

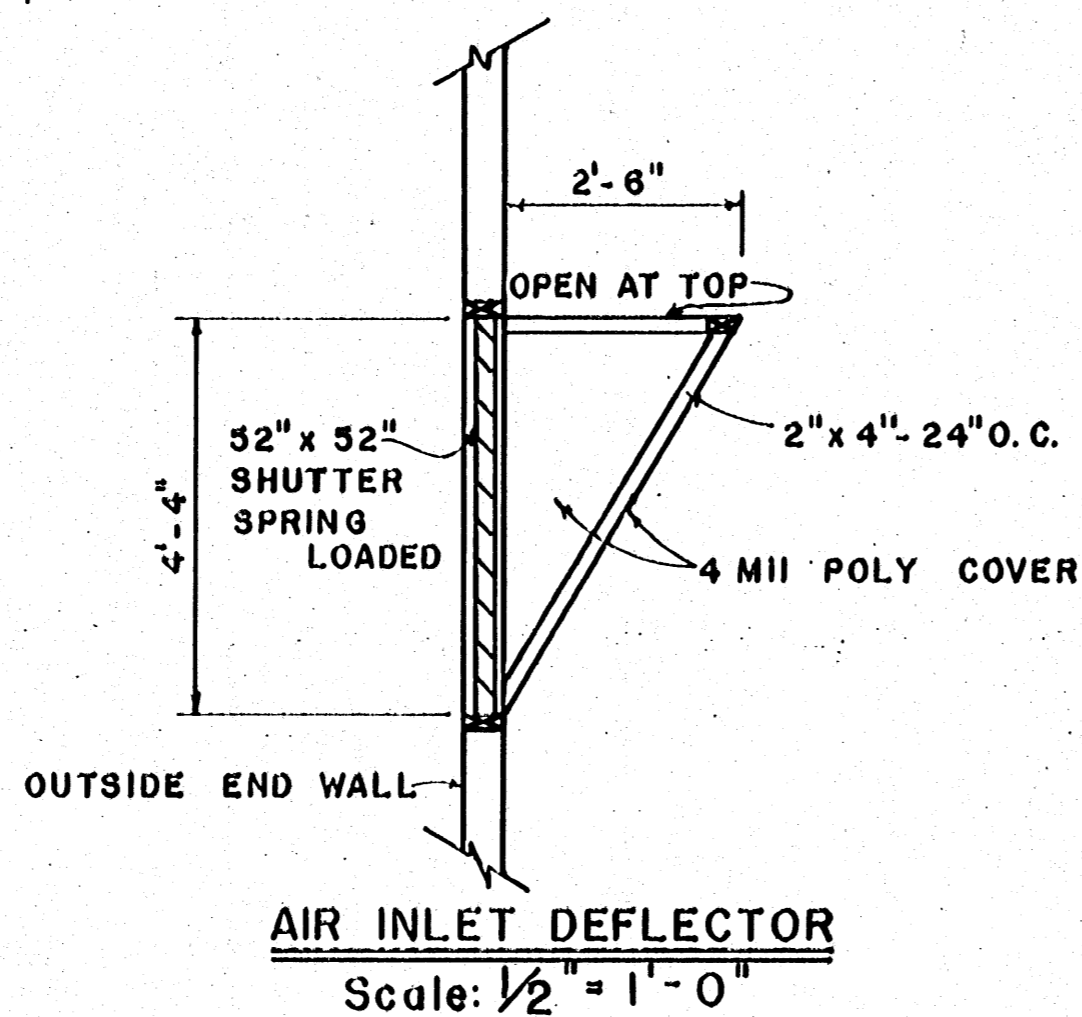
<b>PLASTIC GREENHOUSES</b>	
DEVELOPED BY: TRUCK CROPS RESEARCH CENTER	
MISSISSIPPI AGRICULTURAL AND FORESTRY EXPERIMENT STATION	
COOPERATIVE EXTENSION SERVICE STATE OF MISSISSIPPI MISSISSIPPI STATE UNIVERSITY & U.S. DEPT. OF AGRICULTURE COOPERATING	
DRAWN BY: E.A.K.	CHECKED BY: L.M.
DATE: NOV '68	DWG. NO. 6094-A SHT. 1 OF 2



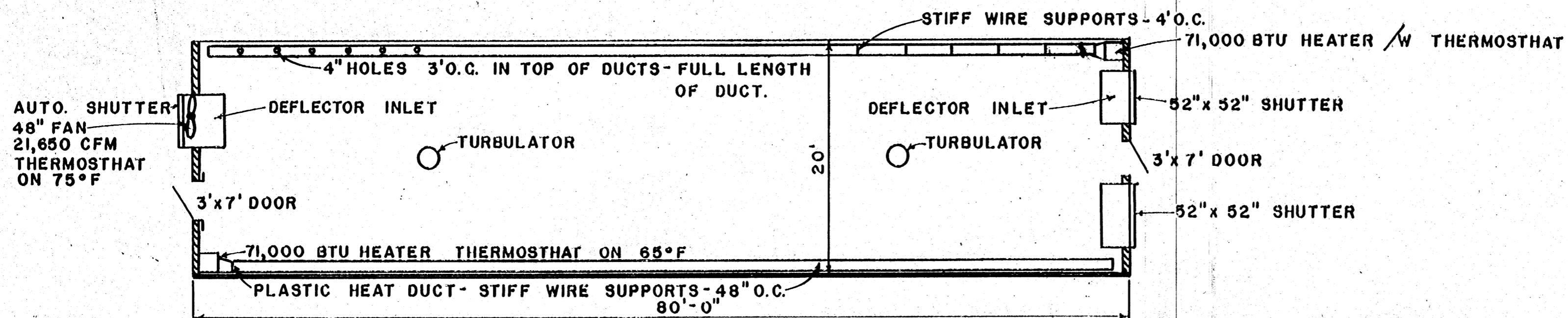
**CONDUIT BENDER**  
SIDE VIEW  
Scale: 3"=1'-0"



**CONDUIT BENDER**  
SECTION VIEW  
Scale: 3"=1'-0"



**AIR INLET DEFLECTOR**  
Scale: 1/2"=1'-0"



**BASIC FLOOR PLAN** Scale: 1/8"=1'-0"

**BILL OF MATERIALS**

NO. REQ'D	DESCRIPTION
GRP I	FRAMING - ENDS FOR BOTH TYPES
16	2" x 6" x 10' OSMOSE TRT'D NO.2 PINE
3	2" x 6" x 8' " " " " " "
18	2" x 4" x 12' " " " " " "
45	1" x 4" x 12' NO.2 PINE - NOT TRT'D
5 lbs.	6 d COMMON NAILS
12 lbs.	10 d " " " "
2	3' x 7' SCREEN DOORS WITH HINGES
GRP II	FIBERGLASS TYPE FRAMING
40	10' LENGTHS 1/2" DIA. STEEL CONDUIT
99	10' LENGTHS 3/4" DIA. STEEL CONDUIT
72	1/2" CRIMP TYPE COUPLING
214	3/4" " " " "
200	3/16" x 2" STEEL STOVE BOLTS - RND. HEAD
140 ft.	1" BLACK PIPE (USED PIPE SATISFACTORY)
GRP III	POLYETHYLENE TYPE FRAMING
	SAME AS FIBERGLASS
GRP IV	FIBERGLASS PANELS AND SUPPLIES
20	PANELS 33'-6"
4	PANELS 8'-9"
7	PANELS 6'-0"
4	PANELS 9'-4"
1200	1/2" PIPE STRAPS
300	ALUMINUM SCREW NAILS
700	SIDLAP FASTNERS
25	PLASTIC CORRUGATED CLOSURE STRIPS
24	PLASTIC VERTICAL CLOSURE STRIPS
GRP V	POLYETHYLENE FOR POLY. TYPE
1	ROLL 100' x 32', 4 mil CLEAR
GRP VI	EQUIPMENT & SUPPLIES - COMMON TO BOTH
1	48" SINGLE SPEED FAN w/ 1/4 hp. MOTOR & SHUT.
2	52" x 52" SPRING LOADED SHUTTERS
2	TURBULATORS - 1/4 hp. MOTOR
2	21kw - 71,500 BTU INPUT HEATERS
160 ft.	6' WIDTH 2 mil POLY. FOR HEAT DUCTS

POLYETHYLENE — USE GRPS. I, II, V & VI

FIBERGLASS — USE GRPS. I, II, V & VI

**PLASTIC GREENHOUSES**

DEVELOPED BY: TRUCK CROPS RESEARCH CENTER

MISSISSIPPI AGRICULTURAL AND FORESTRY EXPERIMENT STATION

COOPERATIVE EXTENSION SERVICE  
STATE OF MISSISSIPPI  
MISSISSIPPI STATE UNIVERSITY &  
U.S. DEPT. OF AGRICULTURE  
COOPERATING

DRAWN BY: E.A.K. CHECKED BY: L.M.

DATE: NOV. '68 DWG. NO. 6094-A SHT. 2 OF 2