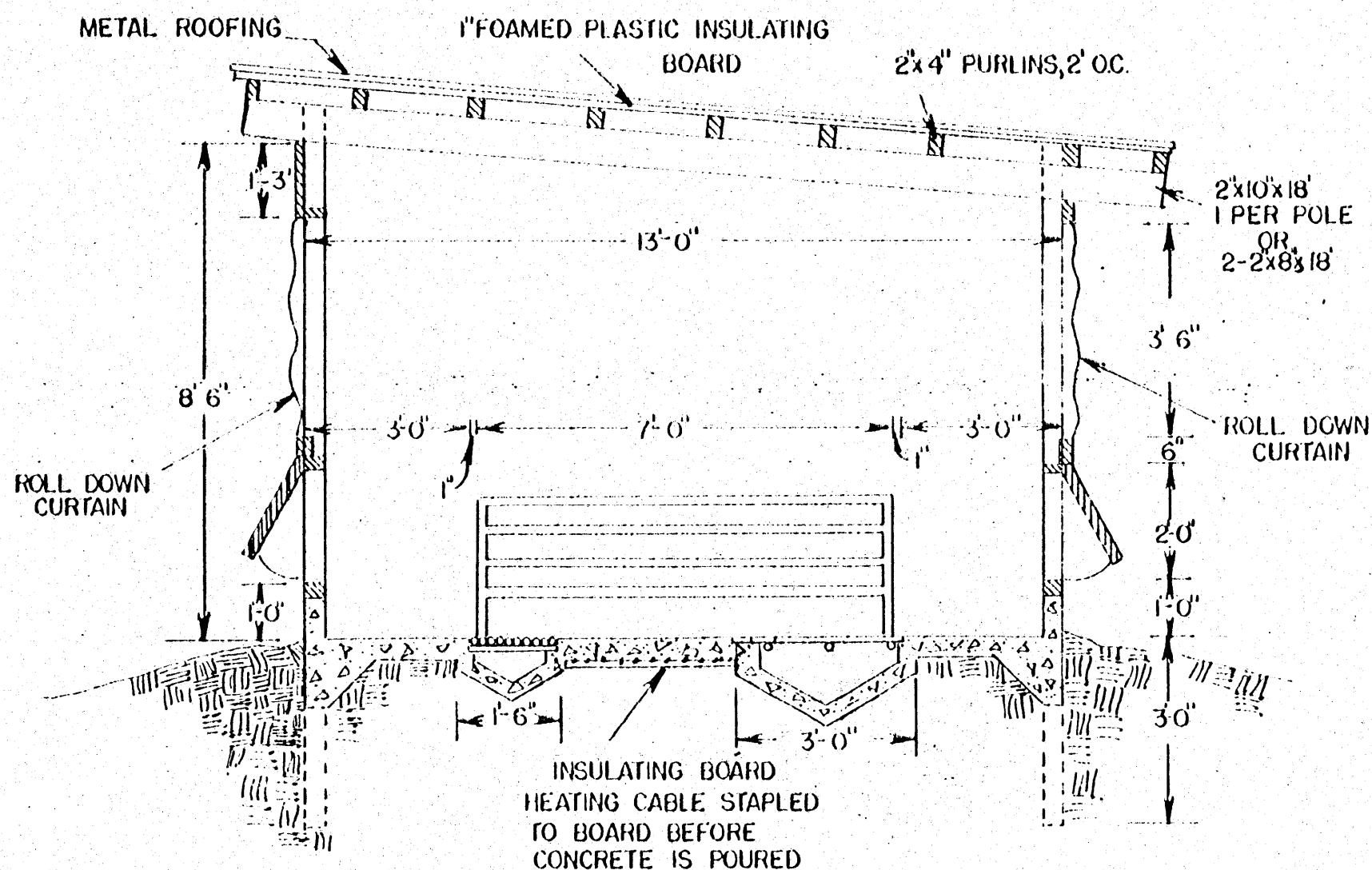
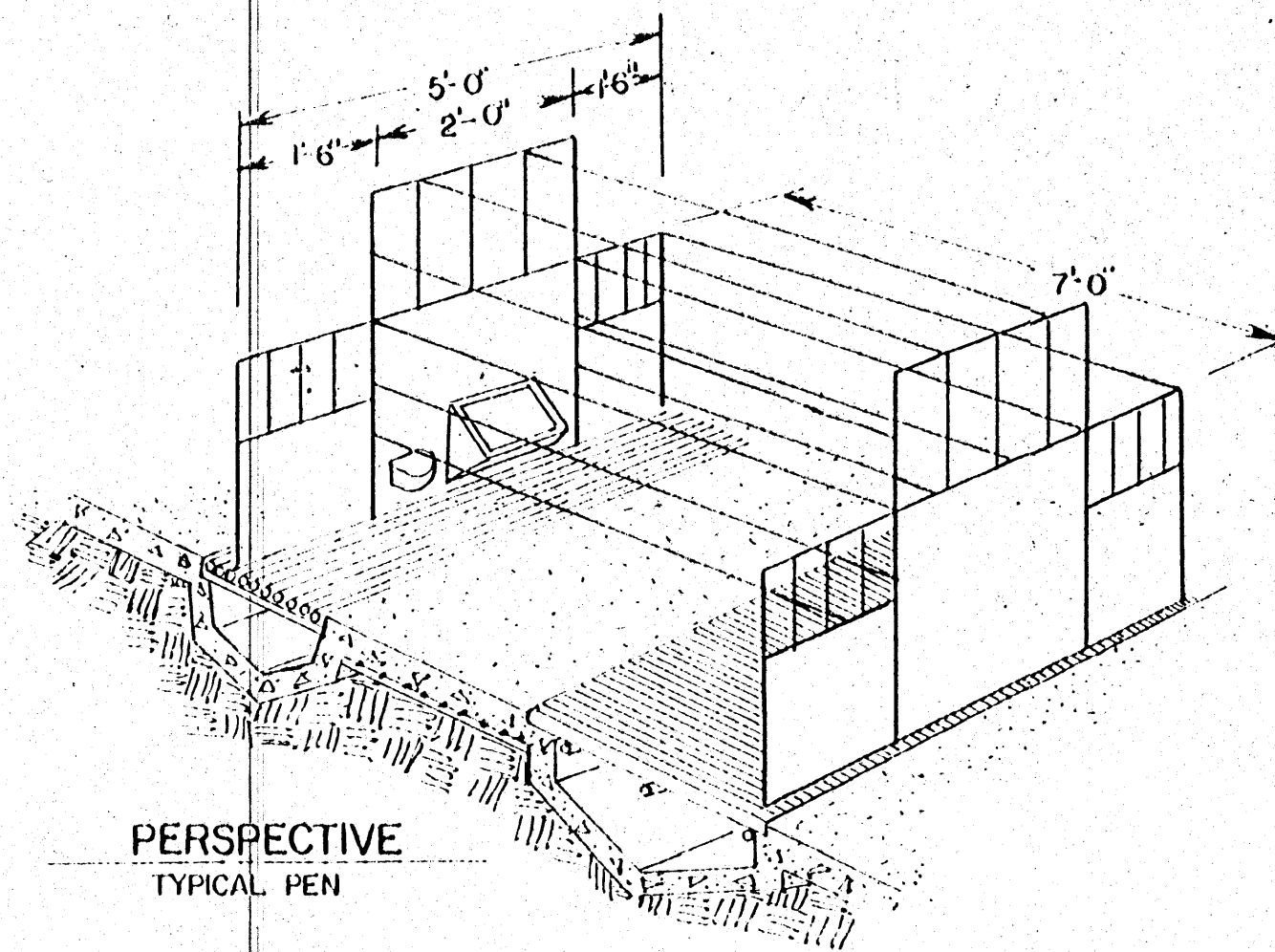


FLOOR PLAN
SCALE $\frac{1}{4}'' = 1'-0''$



SECTION A-A
SCALE $\frac{3}{8}'' = 1'-0''$

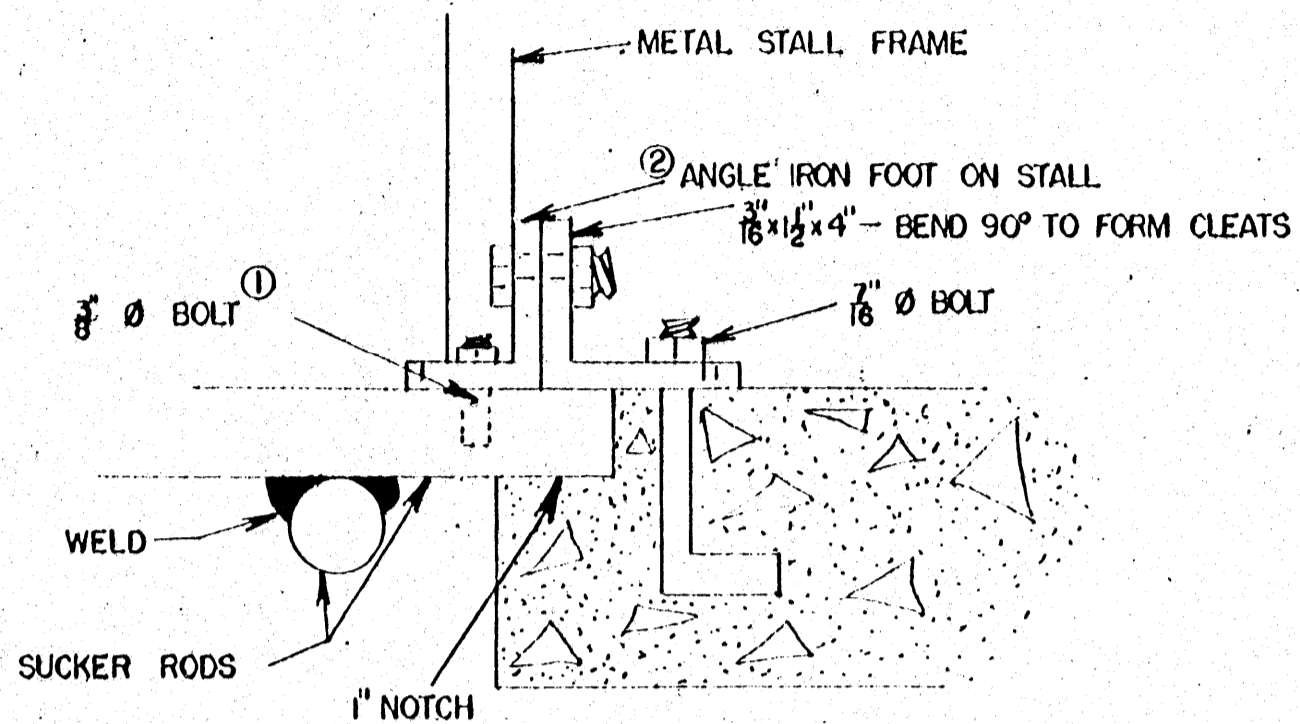


PERSPECTIVE
TYPICAL PEN

COOPERATIVE EXTENSION WORK IN
AGRICULTURE AND HOME ECONOMICS
STATE OF MISSISSIPPI
MISSISSIPPI STATE UNIVERSITY
AND
UNITED STATES DEPARTMENT OF AGRICULTURE COOPERATING

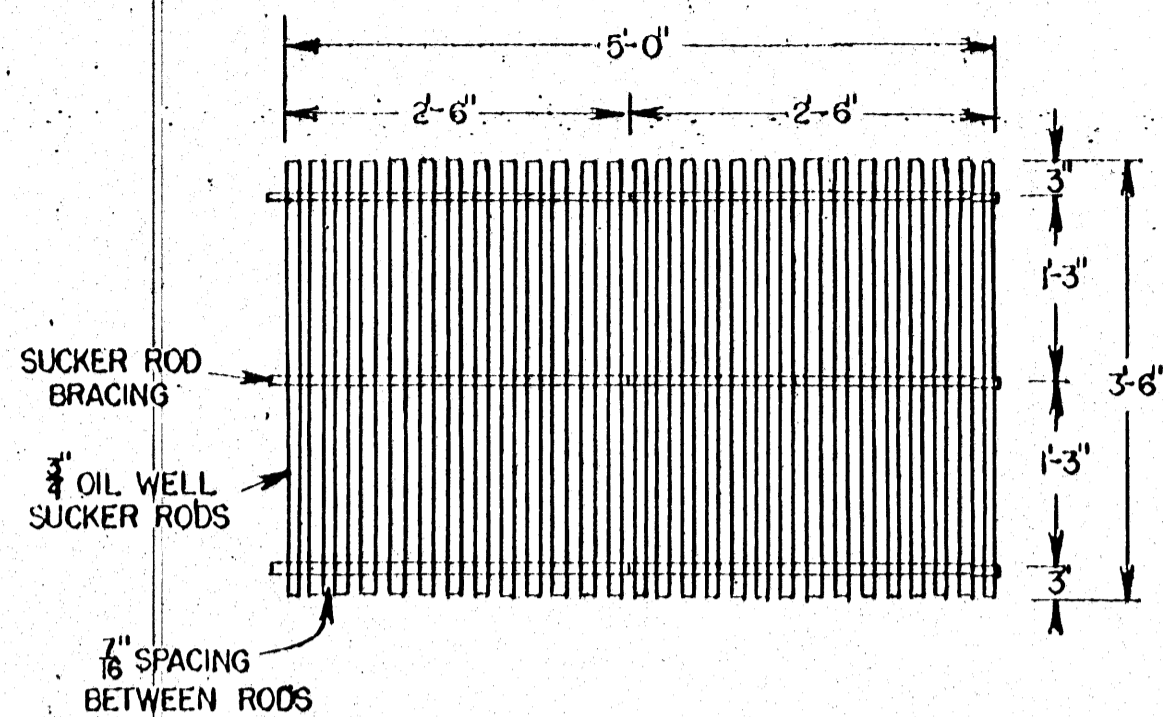
FARROWING HOUSE
FOR SOWS

MISS '73 | 6076-A | SHEET 1 OF 2

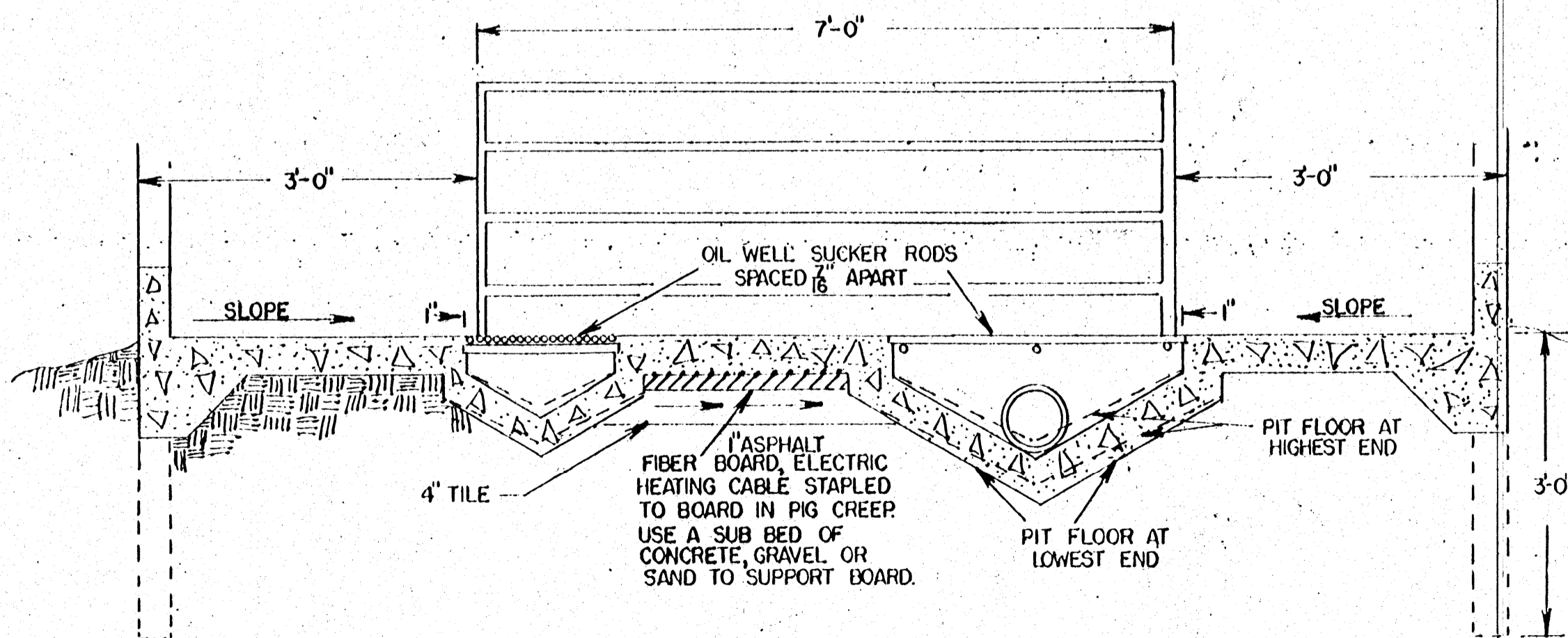
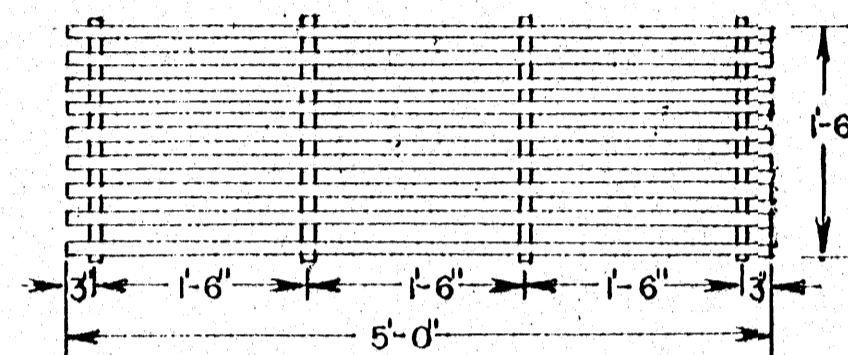


- ① WELD $\frac{3}{8}$ " DIAMETER BOLT TO RODS, DRILL ANGLE IRON FOOT OF STALL AND BOLT.
- ② PLACE A $\frac{3}{8}$ " DIAMETER BOLT IN CONCRETE WHEN POURING. BEND A $\frac{3}{16} \times \frac{1}{2} \times 4$ " IRON PIECE TO 90° FOR A CLEAT. DRILL AND BOLT TO ANGLE IRON FOOT. ONE ANCHOR AT EACH END SHOULD BE ADEQUATE

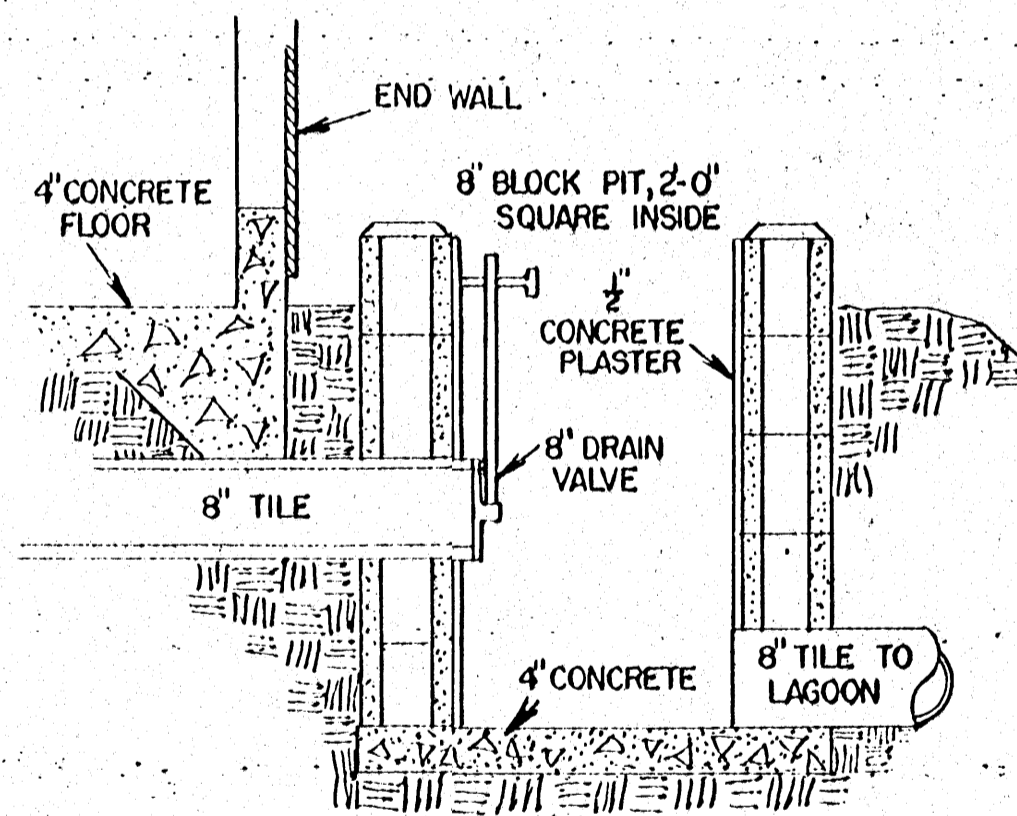
DETAIL FOR ANCHORING STALLS
NO SCALE



SLAT DETAIL
NO SCALE



SECTION B-B
SCALE $\frac{1}{4} = 1'-0$ "



SECTION C-C
SCALE $\frac{1}{4} = 1'-0$ "

COOPERATIVE EXTENSION WORK IN
AGRICULTURE AND HOME ECONOMICS
STATE OF MISSISSIPPI
MISSISSIPPI STATE UNIVERSITY
AND
UNITED STATES DEPARTMENT OF AGRICULTURE COOPERATING

**FARROWING HOUSE
FOR SOWS**