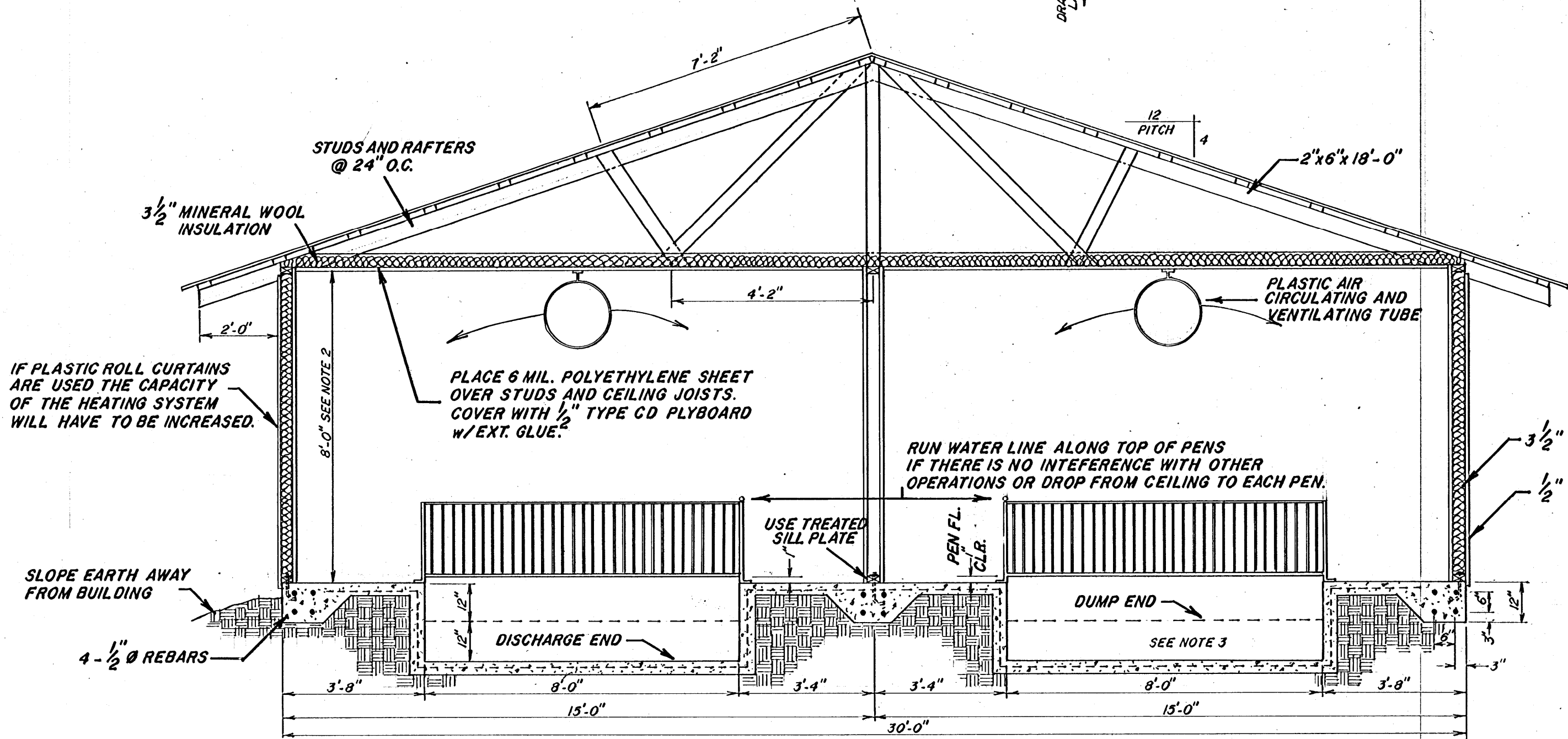


FLOOR PLAN LAYOUT
Scale $\frac{1}{8}'' = 1'-0''$

BUILD WALKWAY OVER CATCH BASIN.
DEPTH-18"-19"
BUILD CATCH BASIN TO ACCOMMODATE $\frac{3}{4}$ CAPACITY OF DUMP TANK.

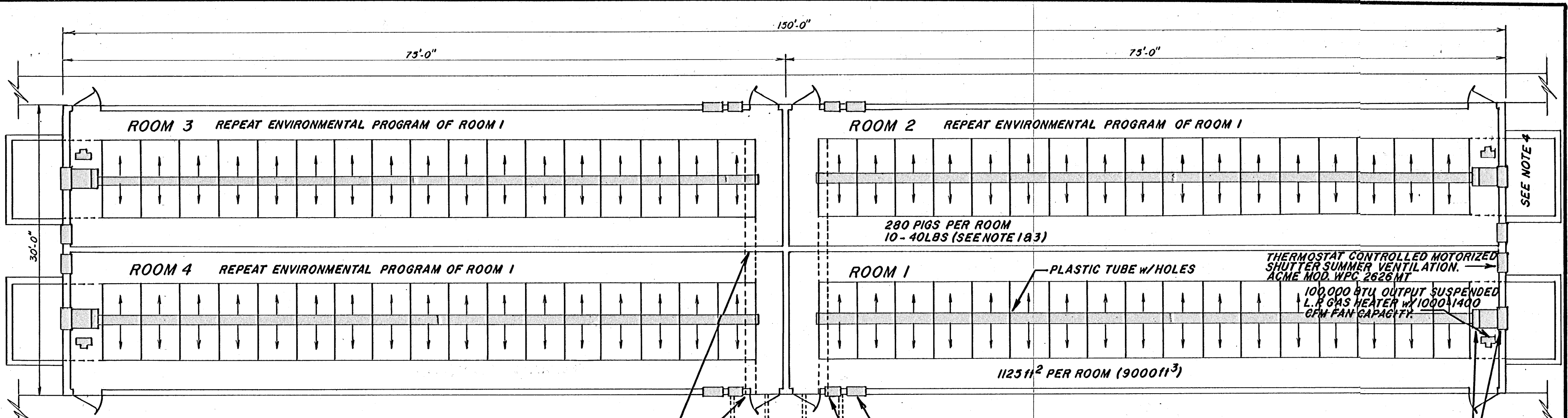
PLACE DUMP TANK HERE
COVER AND SEAL DUMP TANK COMPARTMENT TO MAIN BUILDING. USE EXTENSION PLAN NO. 6238-A. AS A GUIDE FOR BUILDING THE FLUSH SYSTEM.

- NOTE 1. THE WIDTH OF THE FLUSH GUTTER SHOULD BE DETERMINED AFTER THE PENS ARE CHOSEN. MAKE SURE THE PENS CAN BE MOUNTED AS SHOWN.
- NOTE 2. IF MORE HEAD ROOM IS WANTED ADD 1 OR 2 COURSES OF CONCRETE BLOCKS TO WALLS.
- NOTE 3. DEPTH OF GUTTER AT DUMP TANK SLOPE 12" TO DISCHARGE END.



TYPICAL C-SECTION
Scale $\frac{3}{8}'' = 1'-0''$

| | |
|---|---------------------|
| FLOOR PLAN & TYPICAL C-SECTION | PL. NO. 6073-C |
| PIG NURSERY - CAGE TYPE 16 PIGS PER PEN - 280 H. PER ROOM-1120 H.TOT. | |
| MCES Mississippi Cooperative Extension Service Mississippi State University USDA and Counties Cooperating | DESIGN BY L. MILLER |
| | DRAWN BY J. BINGHAM |
| | DATE 4-8-80 |
| | SHEET 1 OF 2 |



SEE NOTE 4

THERMOSTAT CONTROLLED MOTORIZED SHUTTER SUMMER VENTILATION. ACME MOD. WPC 2626MT
100,000 BTU OUTPUT SUSPENDED L.R. GAS HEATER w/1000/1400 CFM FAN CAPACITY.

THE EXIT OF DRAIN GUTTER FROM EACH PEN MUST BE EQUIPPED WITH A FLAPPER GATE TO MAKE VENTILATION SYSTEM WORK PROPERLY.

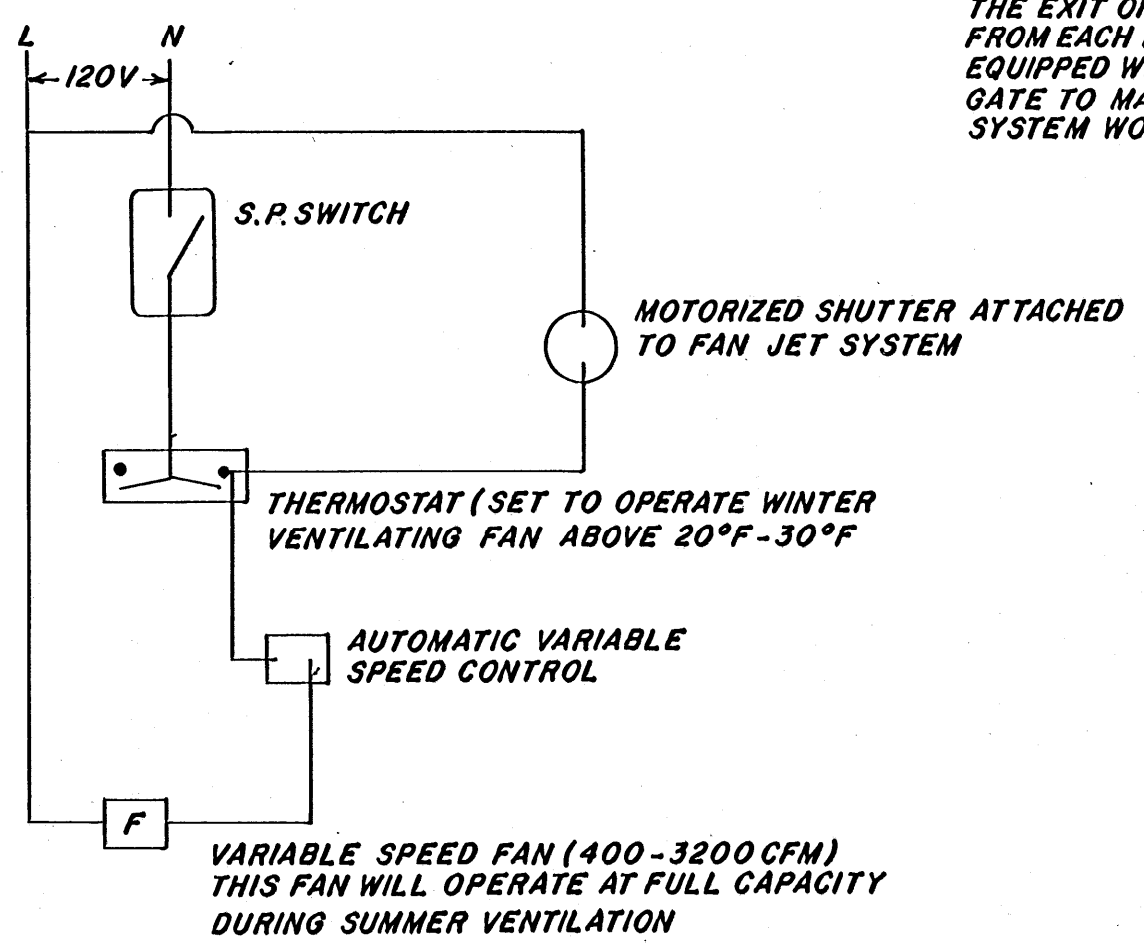
SUMMER VENTILATION - GLASS-PAC MOD. SGP 2433 OR ACME MOD. JP 24F6 5000*CFM @ 1/8" S.R. USE THERMOSTAT CONTROL TO OPERATE FAN ABOVE 85°F ROOM TEMPERATURE.

* ACME FAN JET MOD. RC18E6 w/WC2626MT MOTORIZED SHUTTER (CFM OF JET SYSTEM 2200 CFM) THIS IS FOR CIRCULATION AND TEMPER MIXING OF WINTER VENTILATION AIR.

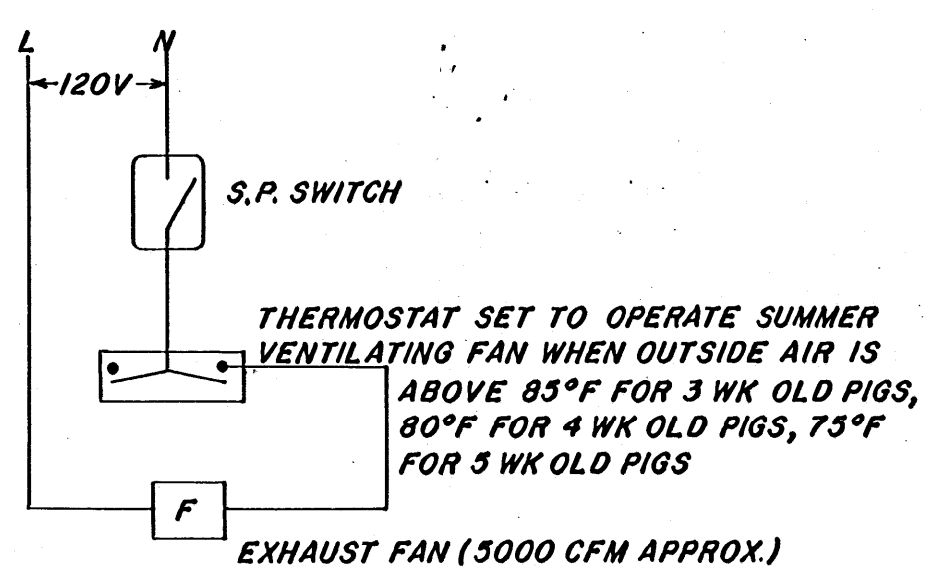
WINTER VENTILATION - GLASS-PAC VARIABLE SPEED FAN MOD. VGP 1833. 3200CFM @ 1/10 S.R. INSTALL ELECTRICALLY WITH GLASS-PAC * AUTOMATIC SENSING VARIABLE SPEED CONTROL. FAN IS CONTROLLED BY A THERMOSTAT AND A VARIABLE SPEED CONTROL. MOTORIZED SHUTTER IS CONTROLLED BY THE THERMOSTAT. CFM FAN OUTPUT VARIES FROM 400-3200. SET THERMOSTAT TO CUT FAN OFF AND CLOSE MOTORIZED SHUTTER FROM 20°F-30°F. OUTSIDE TEMPERATURE. SEE NOTE 2

ENVIRONMENTAL CONTROL SYSTEM LAYOUT
Scale: 1/8" = 1' - 0"

- NOTE 1. IF DOUBLE DECK CAGES ARE USED THE VENTILATION REQUIREMENT DOUBLES AND MUST BE REDESIGNED AND THE PEN SIZE MUST BE MADE 4FT. x 4FT.
- NOTE 2. THE TEMPERATURE AT WHICH THE WINTER VENTILATION FAN WILL CUT OFF SHOULD VARY AND IS A TRIAL-ERROR SITUATION TO DETERMINE WHERE TO SET THE TEMP. FOR CUT-OFF.
EXAMPLE: 40LB. PIGS NEED MORE VENTILATION THAN 12 LB. PIGS AND MORE VENTILATION IS NEEDED WHEN THE OUTSIDE TEMP. IS 40°F THAN AT 10°F. SOME VENTILATION IS ALWAYS NEEDED THEREFORE THE HOURS PER DAY OF FAN OPERATION SHOULD BE DETERMINED BY THE ABOVE.
- NOTE 3. THE NUMBER OF PIGS PER ROOM IS BASED ON THE NUMBER OF PIGS FARROWED AND SHOULD BE OPERATED ON AN ALL IN AND ALL OUT BASIS.
- NOTE 4. DUMP TANK COMPARTMENT MUST BE COVERED AND SEALED TO BUILDING IN ORDER TO MAKE VENTILATING SYSTEM WORK PROPERLY.



SUGGESTED WINTER VENTILATION SCHEMATIC WIRING



SUGGESTED SUMMER VENTILATION SCHEMATIC WIRING

* MENTION OF BRAND NAMES DOES NOT CONSTITUTE AN INDORSEMENT OR A RECOMMENDATION OVER OTHER SUITABLE EQUIPMENT.

| | |
|---|----------------|
| ENVIRONMENTAL CONTROL LAYOUT | PL. NO. 6073-C |
| PIG NURSERY - CAGE TYPE 16 PIGS PER PEN - 280 H. PER ROOM - 1120 H. TOT. | |
| DESIGN BY L. MILLER | SHEET |
| DRAWN BY J. BINGHAM | 2 |
| DATE 4-8-80 | OF 2 |

