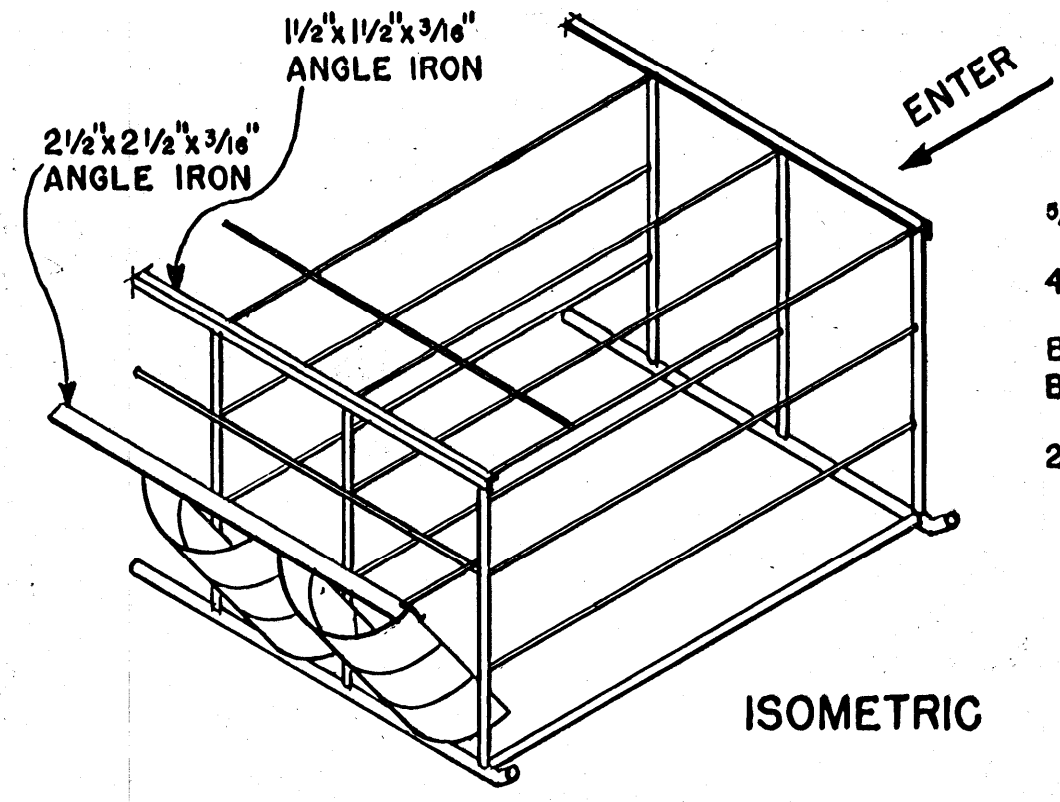
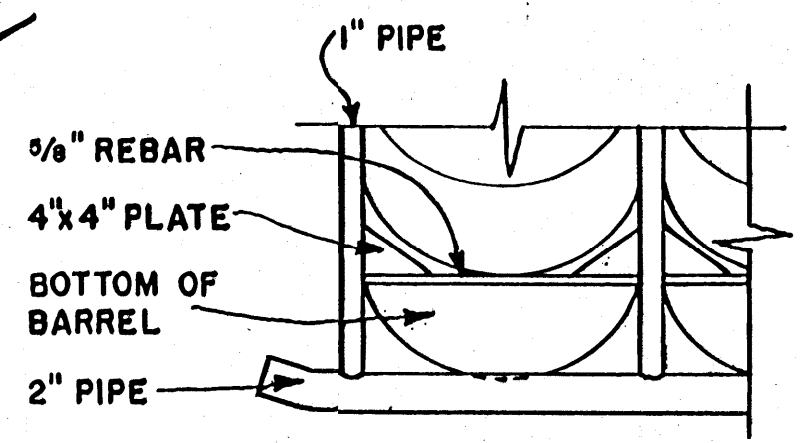


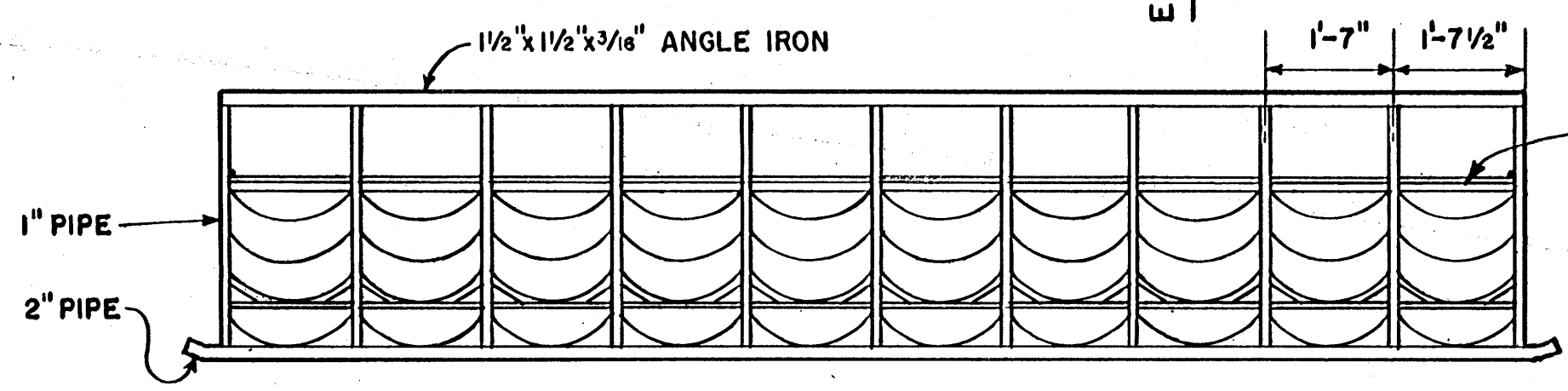
PLAN



ISOMETRIC

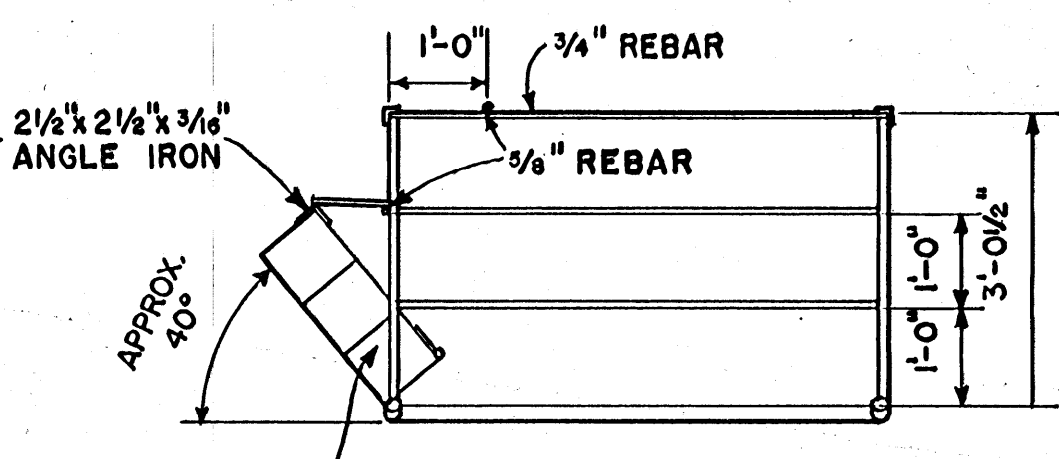


DETAIL-A
SCALE: 1"=1'-0"



ELEVATION A

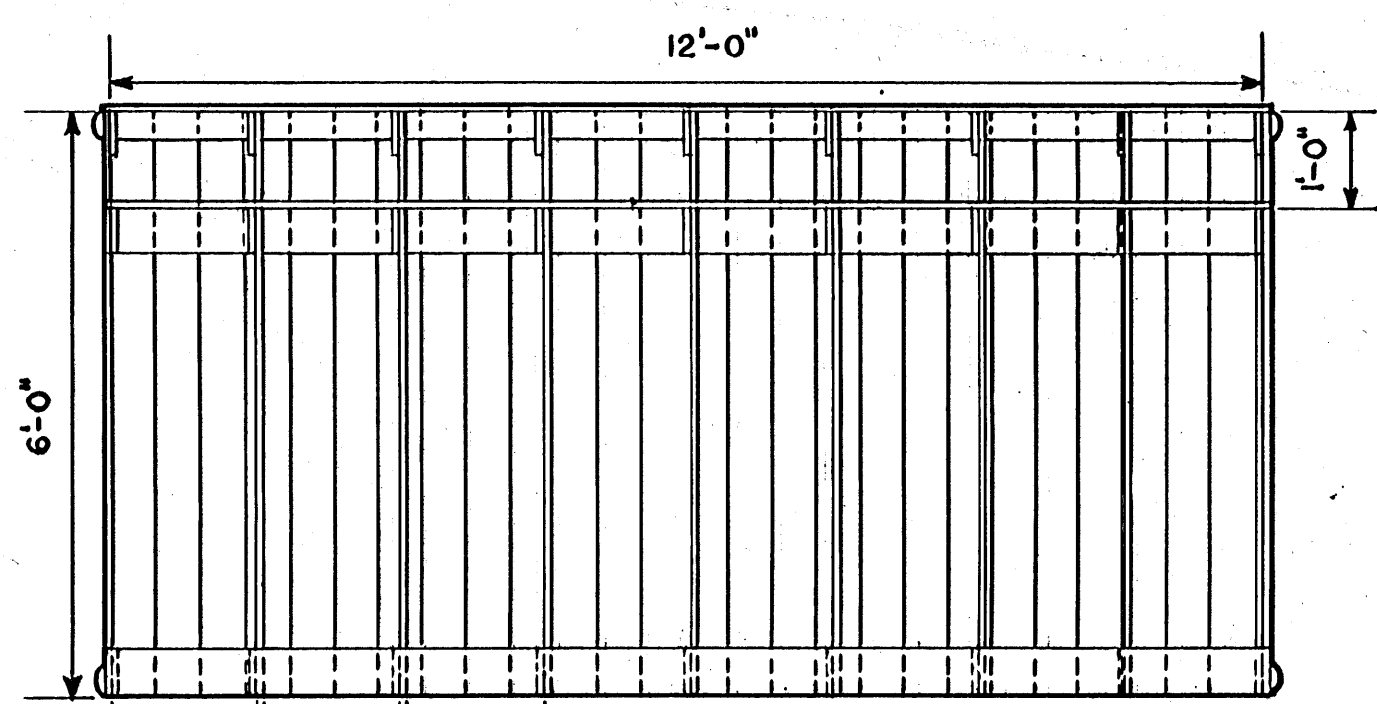
SCALE: 1/2"=1'-0"



ELEVATION B

- NOTES:**
1. WELD ALL JOINTS.
 2. BUTT WELD PIPE JOINTS.
 3. USE REINFORCING BARS OR PIPE FOR CONSTRUCTION.

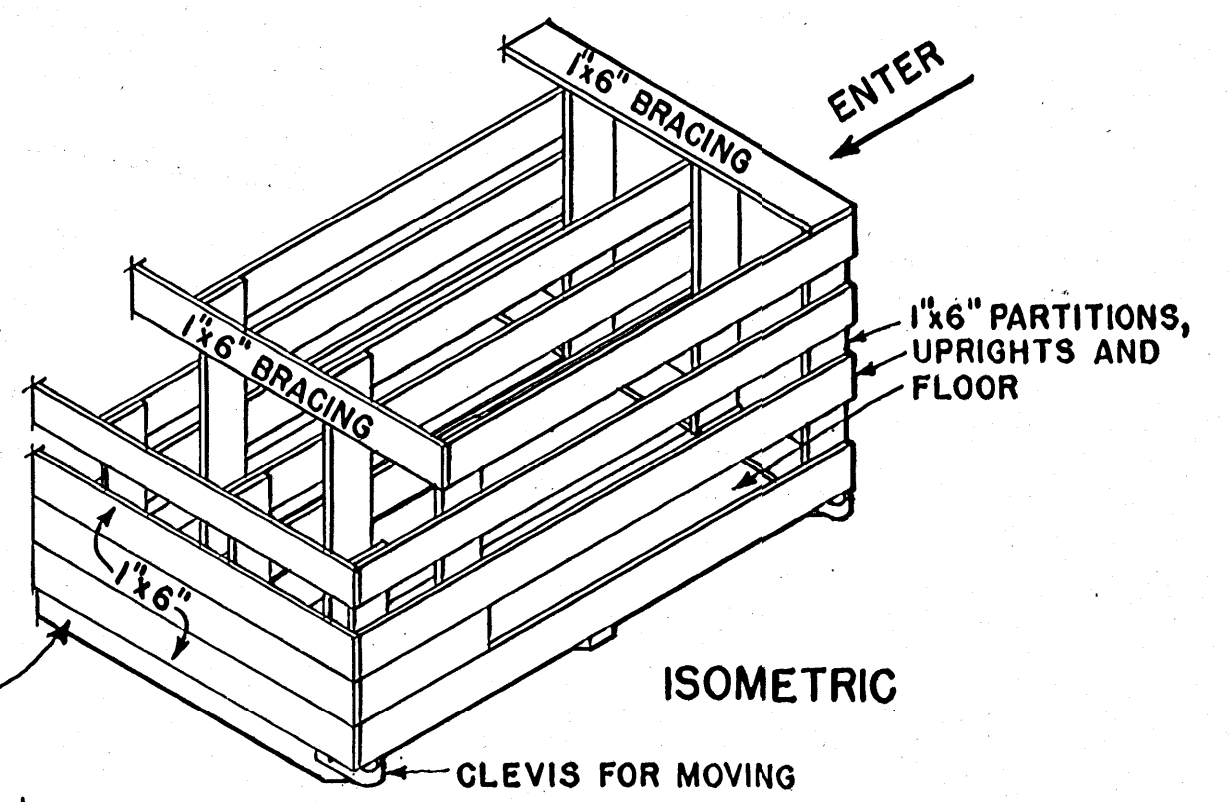
METAL CONSTRUCTION



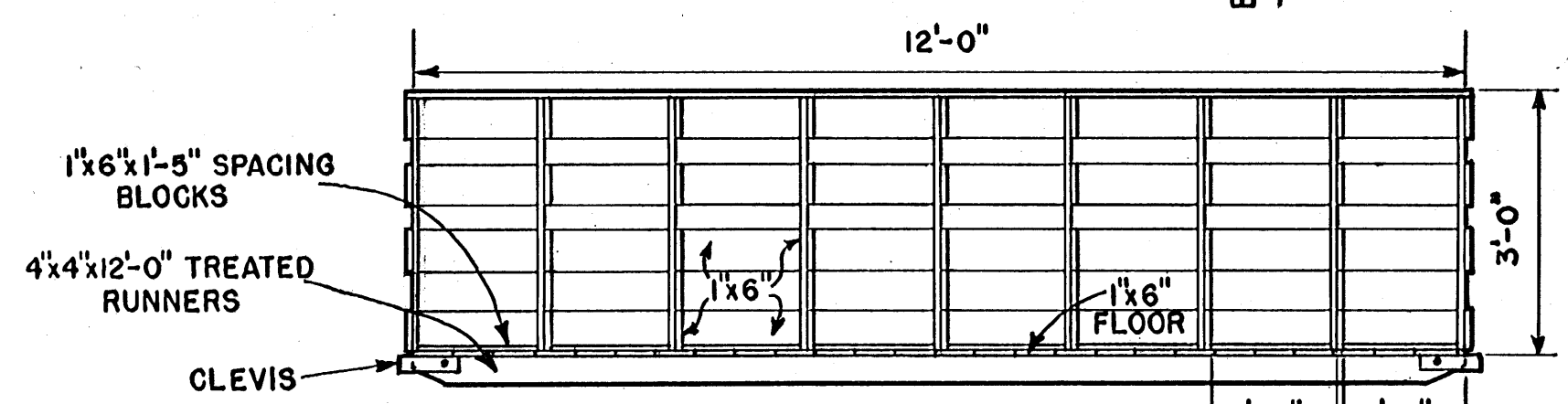
PLAN

WOOD CONSTRUCTION

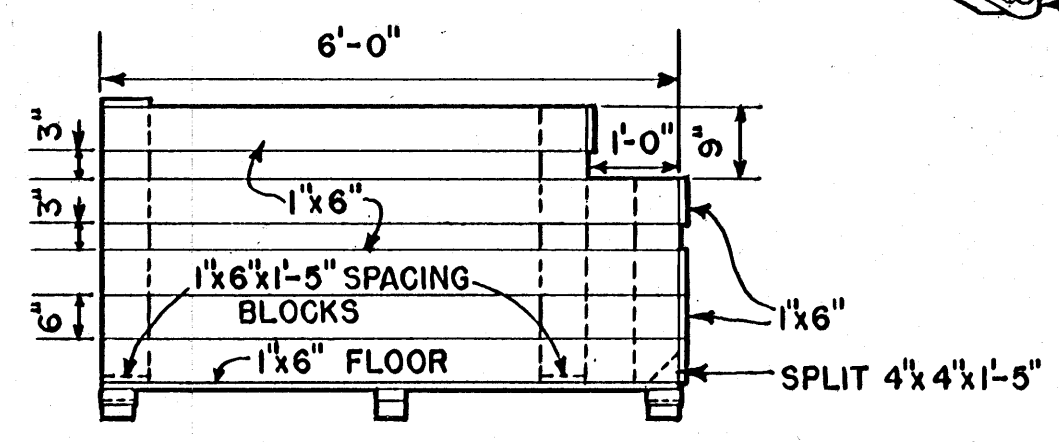
SCALE: 1/2"=1'-0"



ISOMETRIC



ELEVATION A



END ELEVATION

COOPERATIVE EXTENSION WORK IN
AGRICULTURE AND HOME ECONOMICS
STATE OF MISSISSIPPI
MISSISSIPPI STATE UNIVERSITY
AND
UNITED STATES DEPARTMENT OF AGRICULTURE COOPERATING

PORTABLE SOW FEEDERS

OKLA. & VA. '68 EX. 6056 SHEET 1 OF 1

OKLA. PLAN NO. OK-726-13
VA. PLAN NO. G-3.20