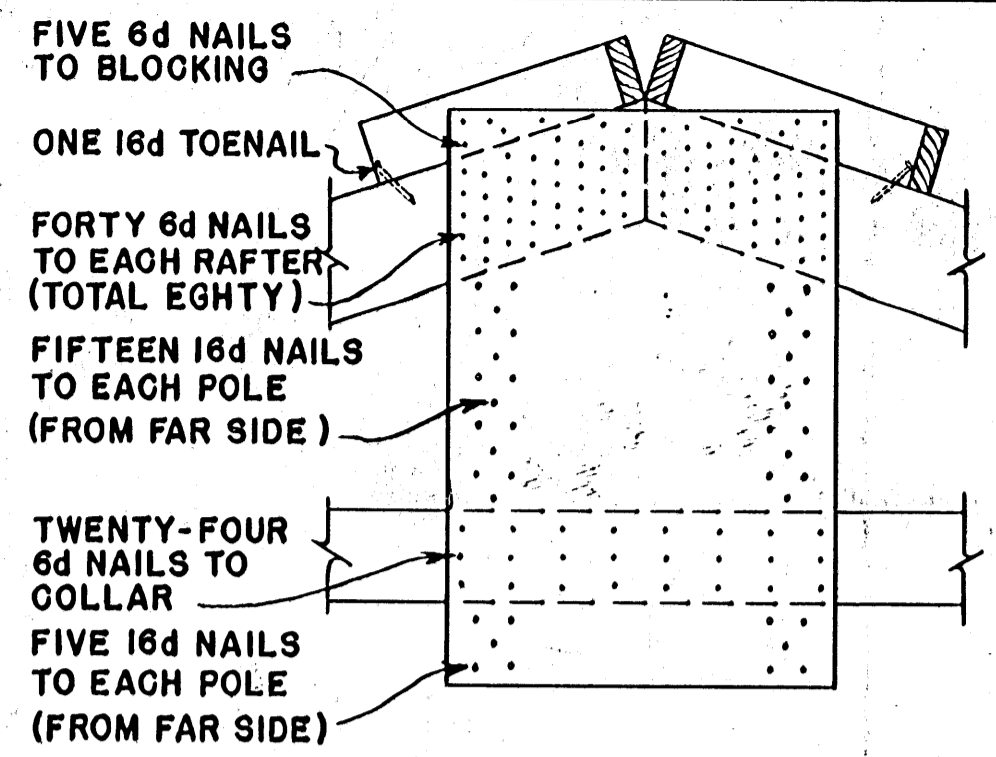


TWO RAFTER - UNITS ARE REQUIRED FOR EACH 14'-0" OF LENGTH. TWO UNITS ON EACH PAIR OF INSIDE POLES AND ONE UNIT ON THE INSIDE FACE OF THE END POLES.

NAIL PURLIN ANCHORS IN PLACE ON RAFTER UNIT-BEFORE ASSEMBLY.

**RAFTER - UNIT ASSEMBLY DIAGRAM**

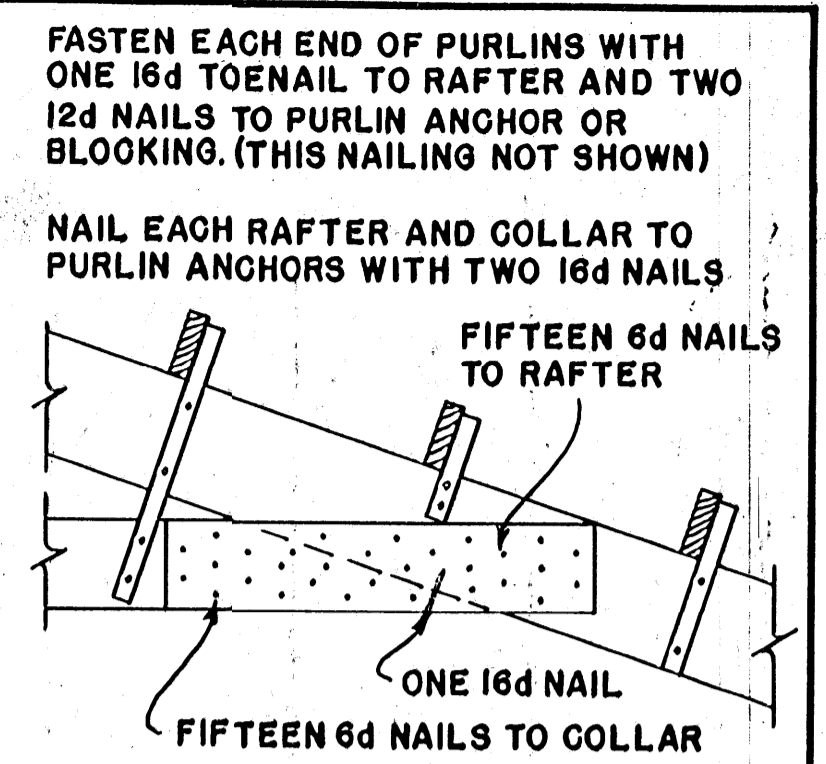
SCALE: 3/8" = 1'-0"



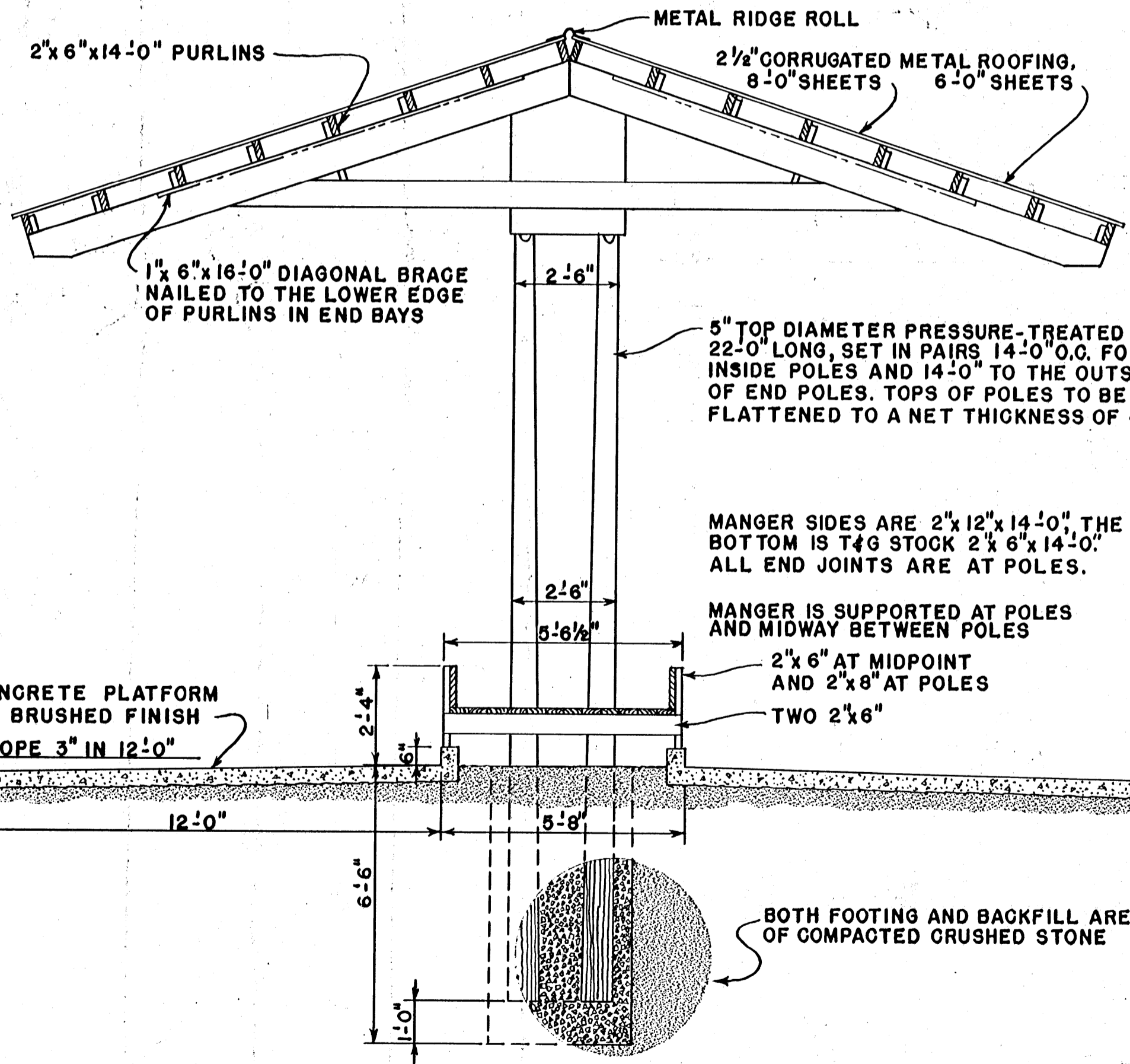
USE HOT-DIP GALVANIZED COMMON NAILS

**NAILING DETAILS**

SCALE: 3/4" = 1'-0"

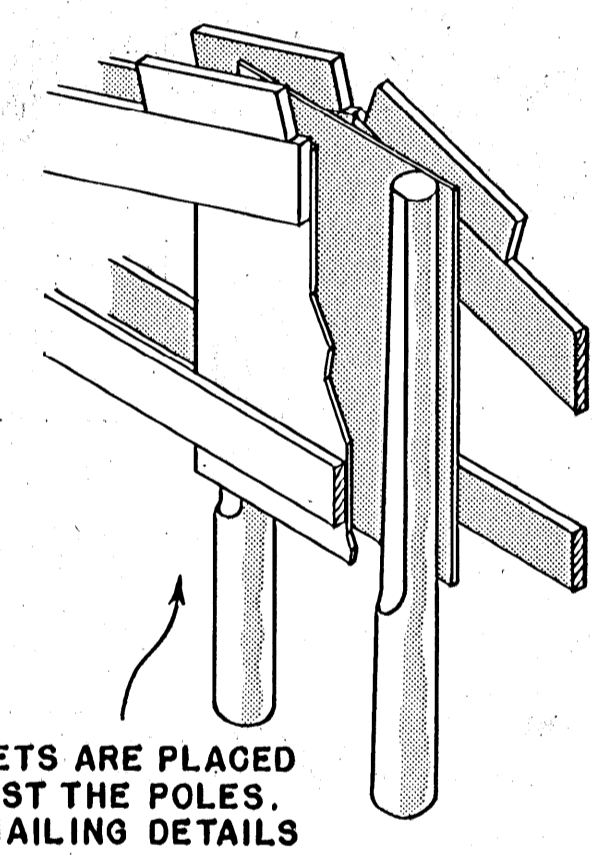


ONE 16d NAIL  
FIFTEEN 6d NAILS TO COLLAR

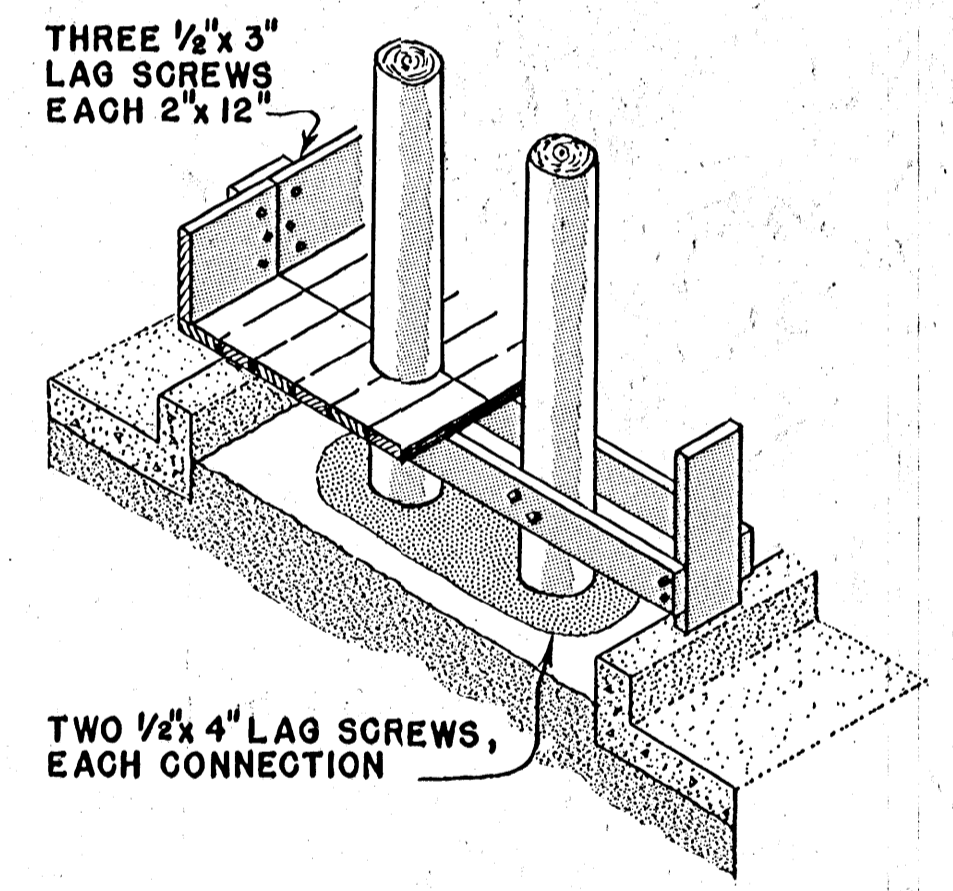


**TYPICAL CROSS SECTION**

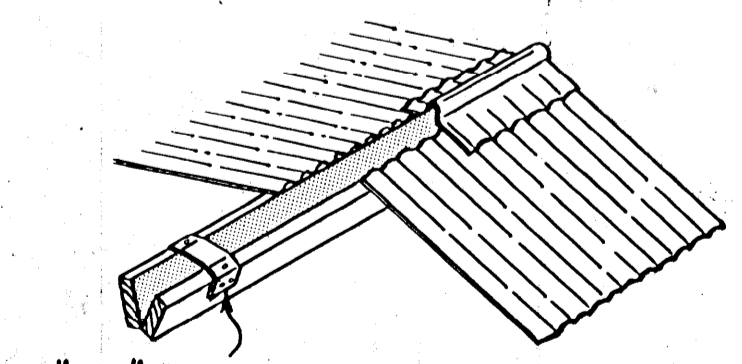
SCALE: 3/8" = 1'-0"



**RAFTER-UNIT ERECTION**



**MANGER CONSTRUCTION**



**RIDGE PURLIN TIES**

COOPERATIVE EXTENSION WORK IN AGRICULTURE AND HOME ECONOMICS  
STATE OF MISSISSIPPI  
MISSISSIPPI STATE UNIVERSITY  
AND  
UNITED STATES DEPARTMENT OF AGRICULTURE COOPERATING

**CATTLE FEEDING SHELTER**

ORE. '62	EX. 5939	SHEET 1 OF 1
----------	----------	--------------