

WHERE SNOW OR WIND LOADS WILL NOT EXCEED----	TRUSSES MAY BE SPACED UP TO----	PURLINS MAY BE-----	SPACED UP TO----
15 LBS, PER SQ. FT.	12'-0" O.C.	2" x 4" 2" x 6"	1'-6" O.C. 3'-6"*
18 LBS.	10'-0"	2" x 4" 2" x 6"	1'-8" 3'-6"
23 LBS.	8'-0"	2" x 4" 2" x 6"	2'-0" 3'-6"
31 LBS.	6'-0"	2" x 4"	2'-8"

ELEVATION
SCALE: 3/8" = 1'-0"

THIS TRUSS IS DESIGNED TO SUPPORT LOADS UP TO 200 LBS PER FOOT OF SPAN, INCLUDING THE WEIGHT OF THE ROOF.

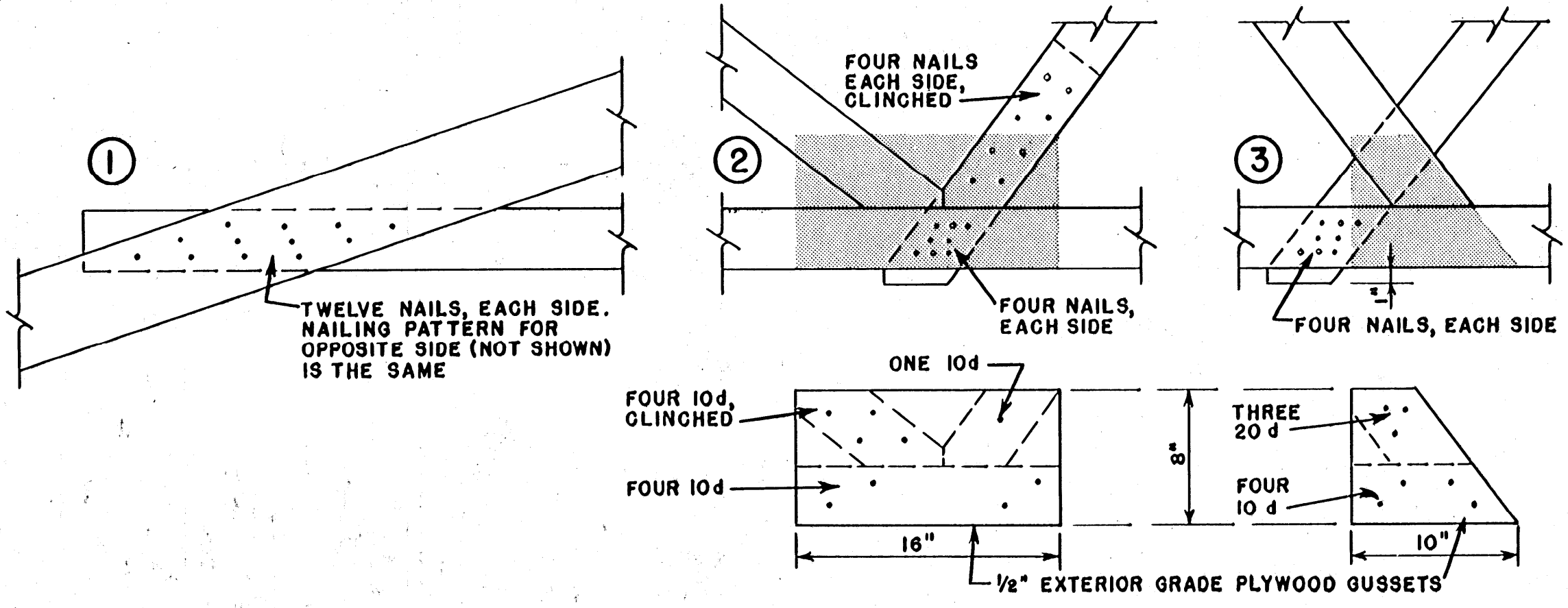
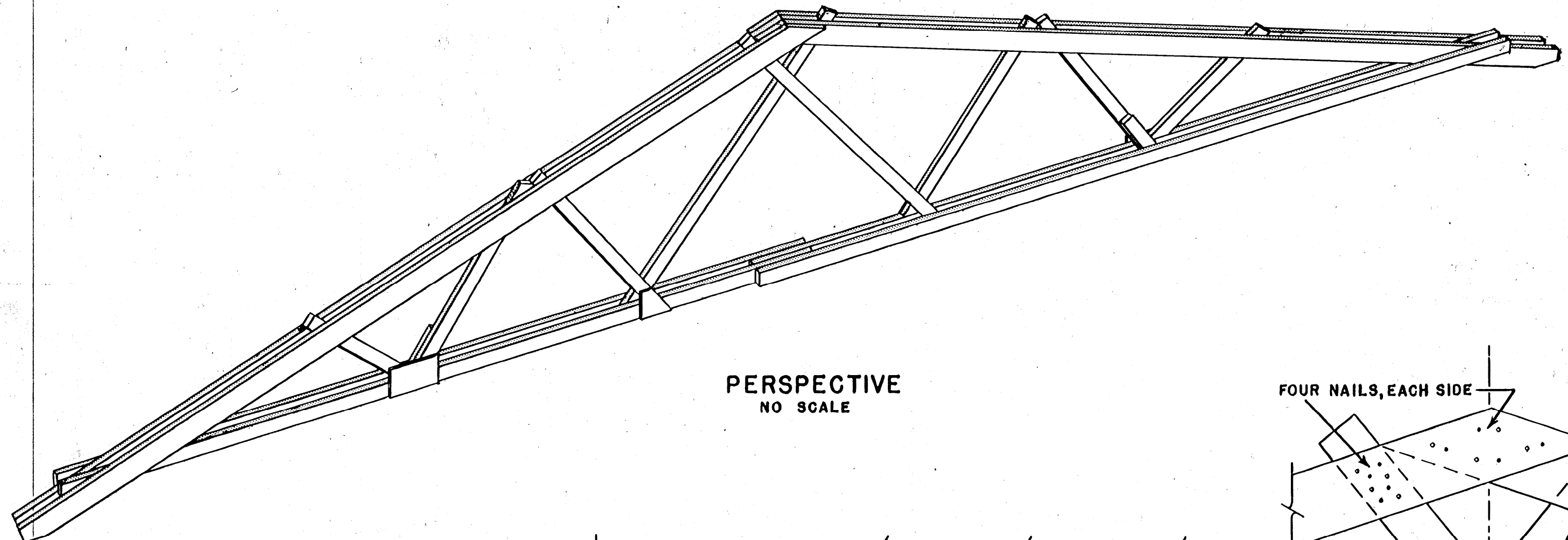
ALL LUMBER SHALL BE STRESS GRADED TO PROVIDE 1500 PSI FIBER STRESS IN BENDING, AND 1350 PSI IN COMPRESSION.

MATERIALS FOR ONE TRUSS:
 TOP CHORD.....4 PCS. 2"x6"x22'-0"
 BOTTOM CHORD.....4 " 2"x4"x20'-0"
 WEB MEMBERS & BLOCKING.....3 " 2"x4"x14'-0"
 1 " 2"x4"x16'-0"

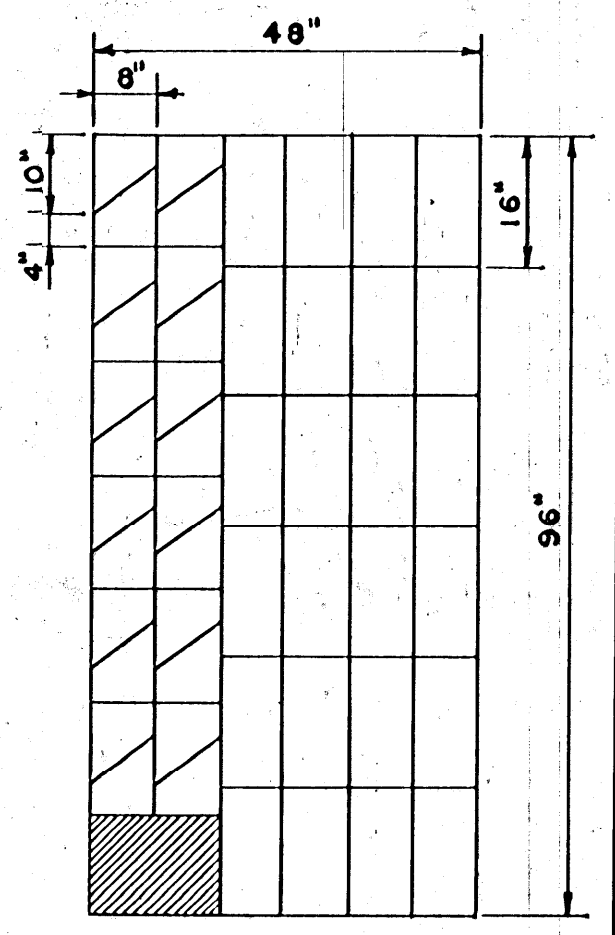
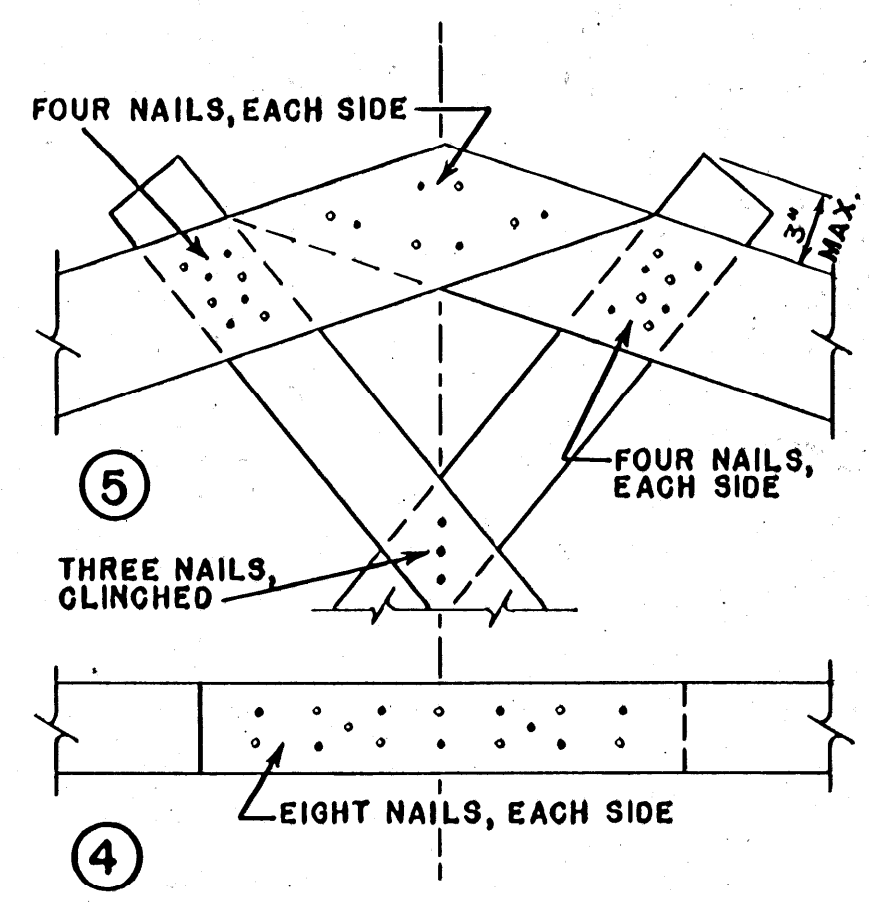
ONE 48"x96" PLYWOOD PANEL WILL PROVIDE GUSSETS FOR 12 TRUSSES

NAILS.....6 1/4 LBS 20d COMMON 10d

TRUSSES SHOULD BE SECURELY ANCHORED TO THE SUPPORTING STRUCTURE.



JOINT DETAILS
SCALE: 1/2" = 1'-0"



ALL NAILS TO BE 20d COMMON, EXCEPT AS NOTED.

• = NAILS DRIVEN FROM THE NEAR SIDE OF THE TRUSS, AND
 ○ = NAILS DRIVEN FROM FAR SIDE FOR LEFT END OF TRUSS, AS DETAILED. NOTE THAT NAILING PATTERNS ARE REVERSED FOR RIGHT END OF TRUSS.

ALL PROJECTING NAILS TO BE CLINCHED.

COOPERATIVE EXTENSION WORK IN AGRICULTURE AND HOME ECONOMICS
 STATE OF MISSISSIPPI
 MISSISSIPPI STATE UNIVERSITY
 AND
 UNITED STATES DEPARTMENT OF AGRICULTURE COOPERATING

36FT. UTILITY TRUSS
 4/12 SLOPE * LAP-NAILED CONSTRUCTION

USDA '61 EX. 5921 SHEET 1 OF 1