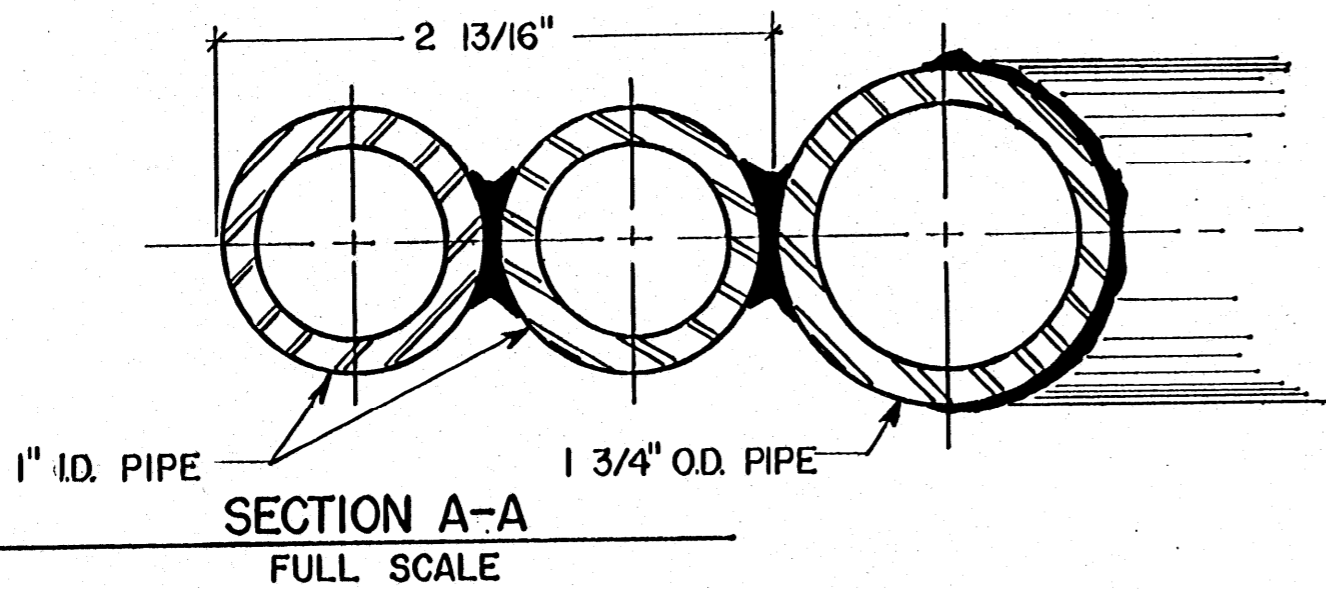
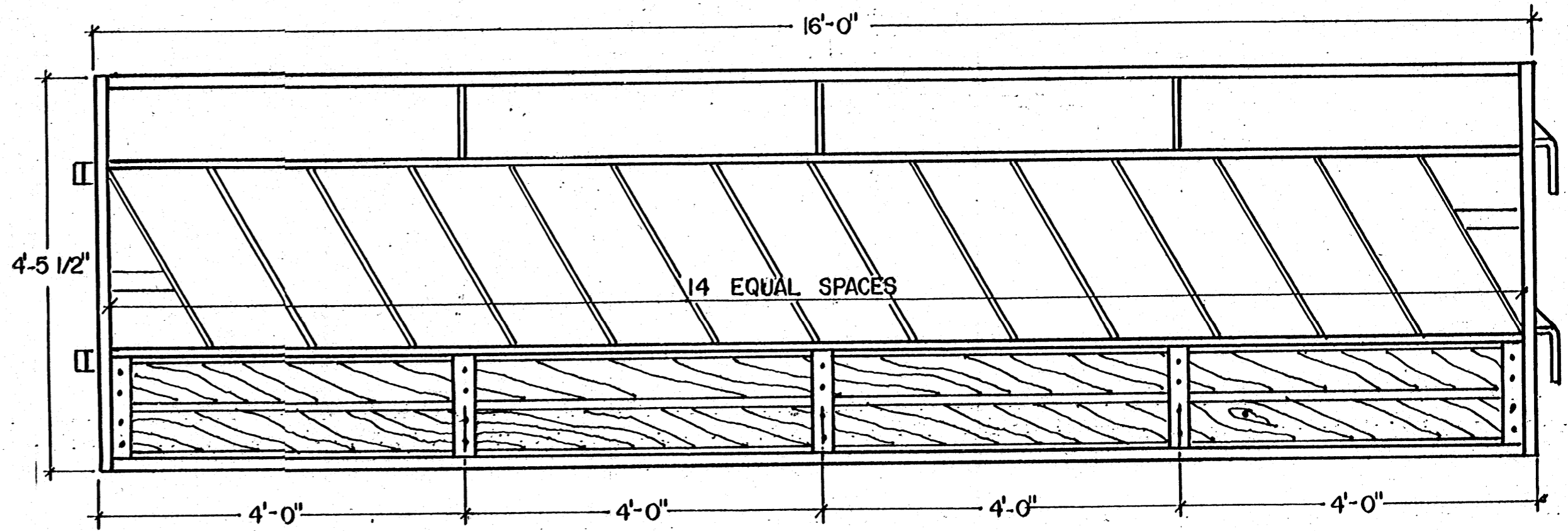


FABRICATION DETAIL

SCALE: 1 1/2" = 1'-0"

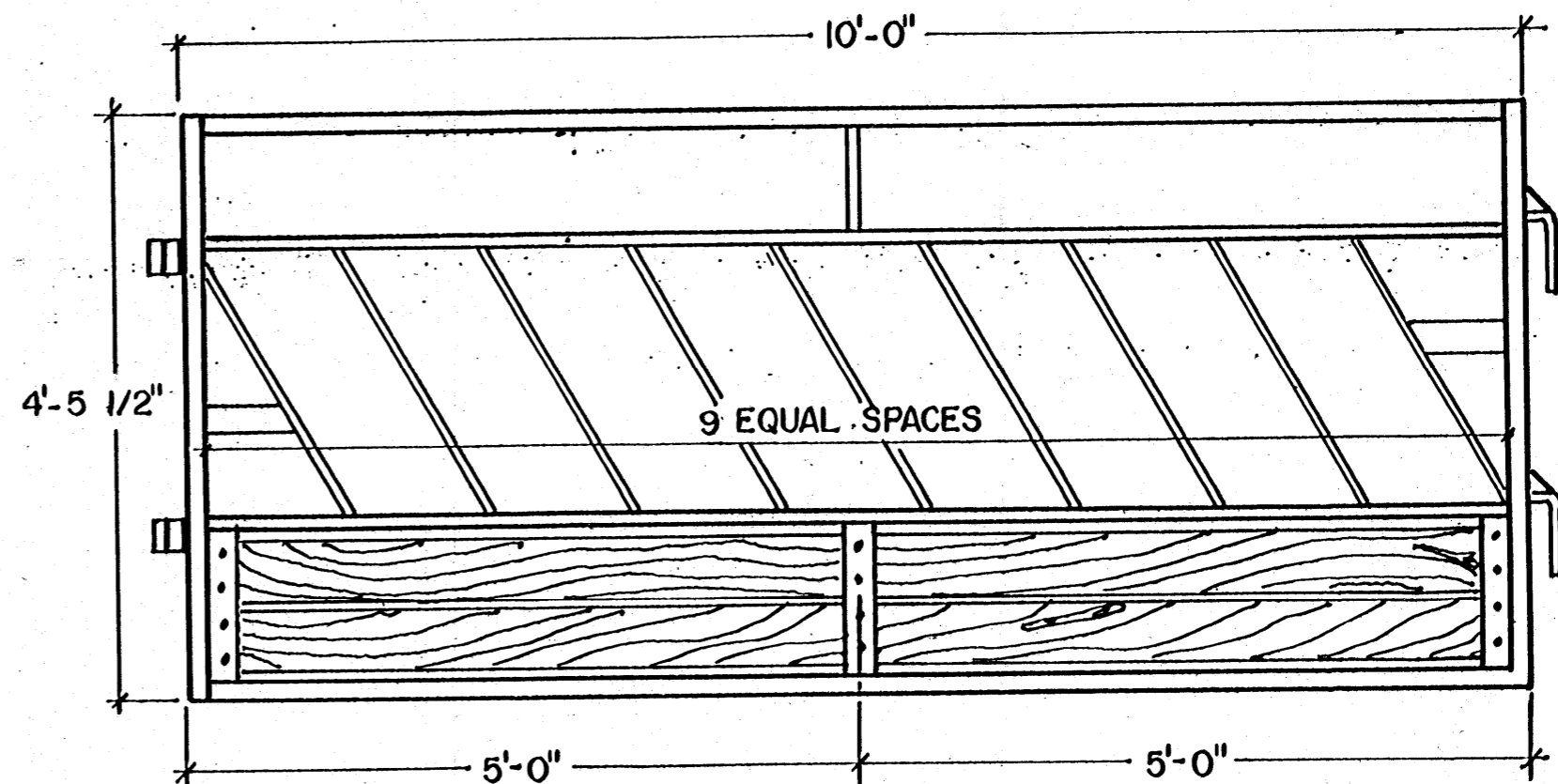


SECTION A-A
FULL SCALE



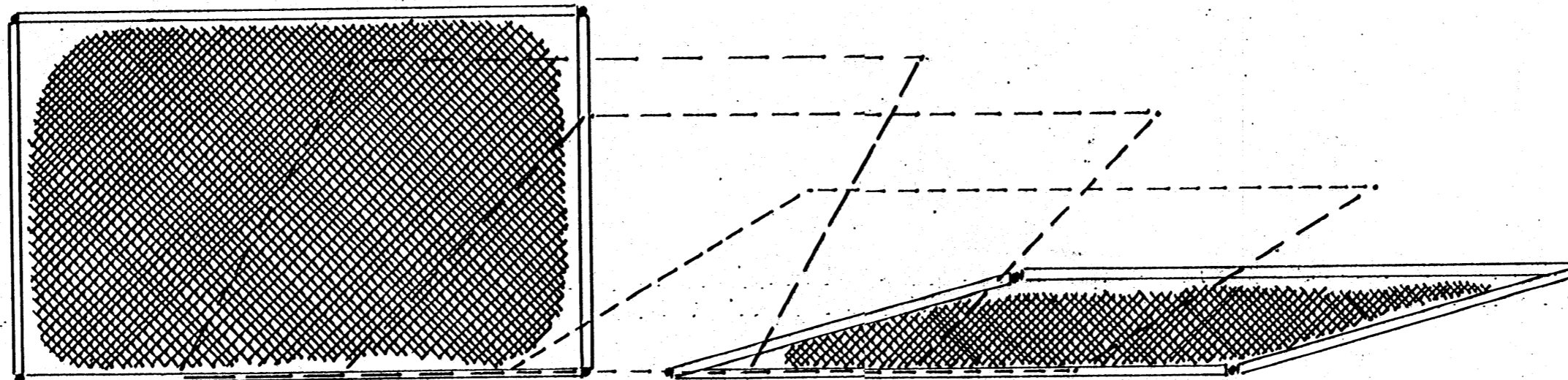
SIDE PIECE ELEVATION

SCALE: 3/8" = 1'-0"



END PIECE ELEVATION

SCALE: 3/8" = 1'-0"



DESCRIPTION OF OPERATION

AS CATTLE FEED, THE PRESSURE AGAINST THE FRAME CONTRACTS THE FEEDER AND COMPACTS THE REMAINING HAY, PREVENTING SPILLAGE AND WASTE

COOPERATIVE EXTENSION WORK IN
AGRICULTURE AND HOME ECONOMICS
STATE OF MISSISSIPPI
MISSISSIPPI STATE UNIVERSITY
AND
UNITED STATES DEPARTMENT OF AGRICULTURE COOPERATING

BULK HAY SELF FEEDER

MISS '73 | 5772-A | SHEET 1 OF 1