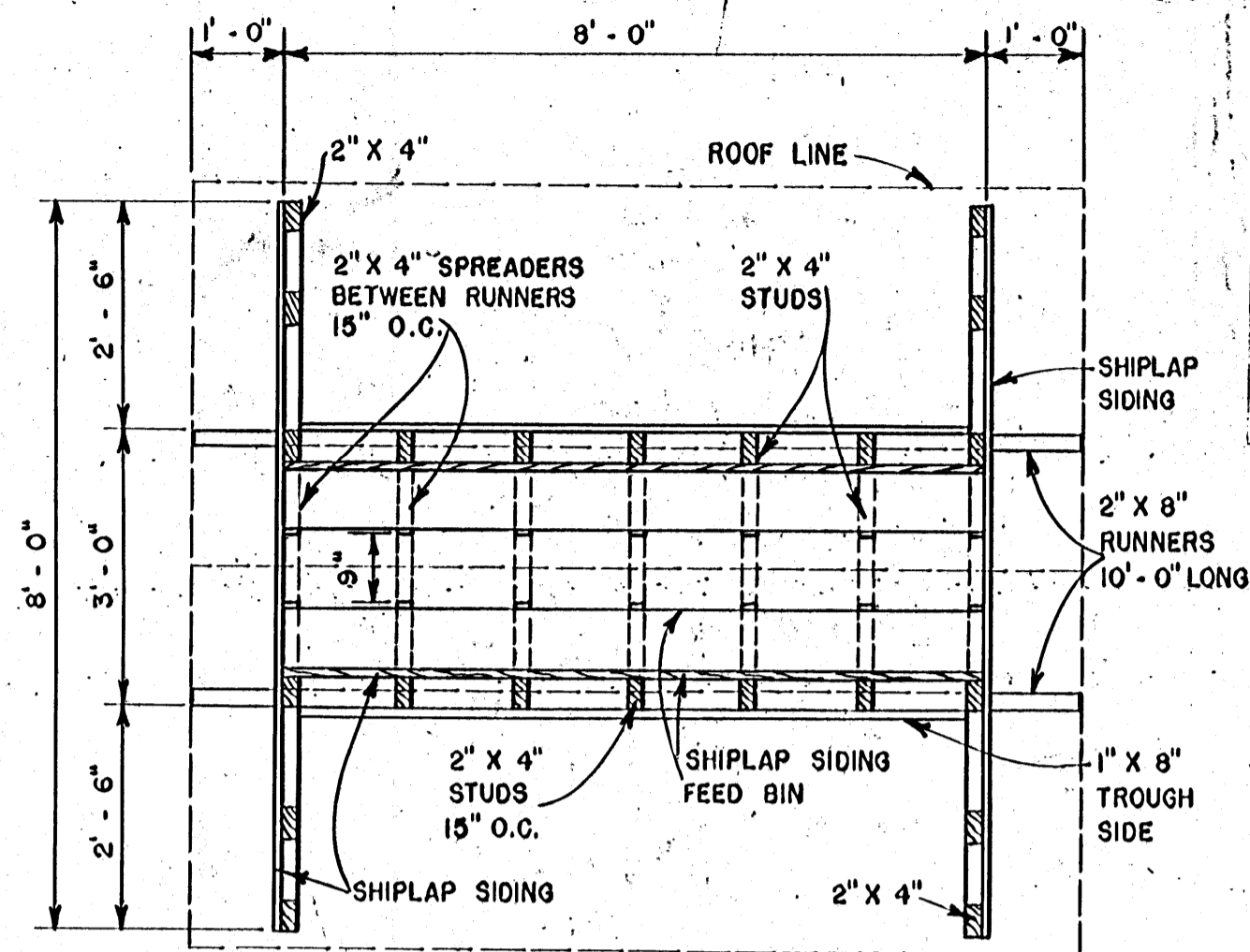
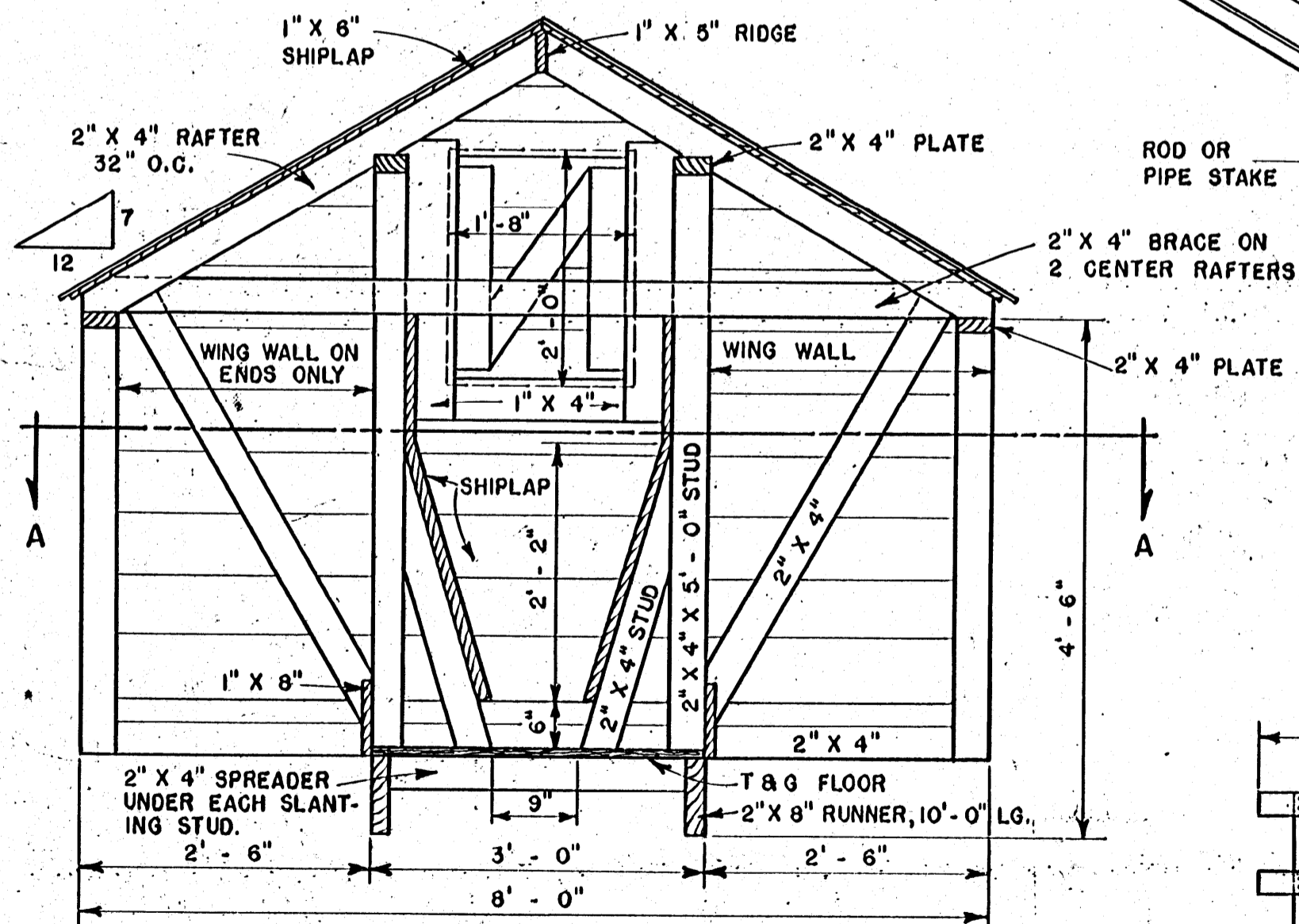


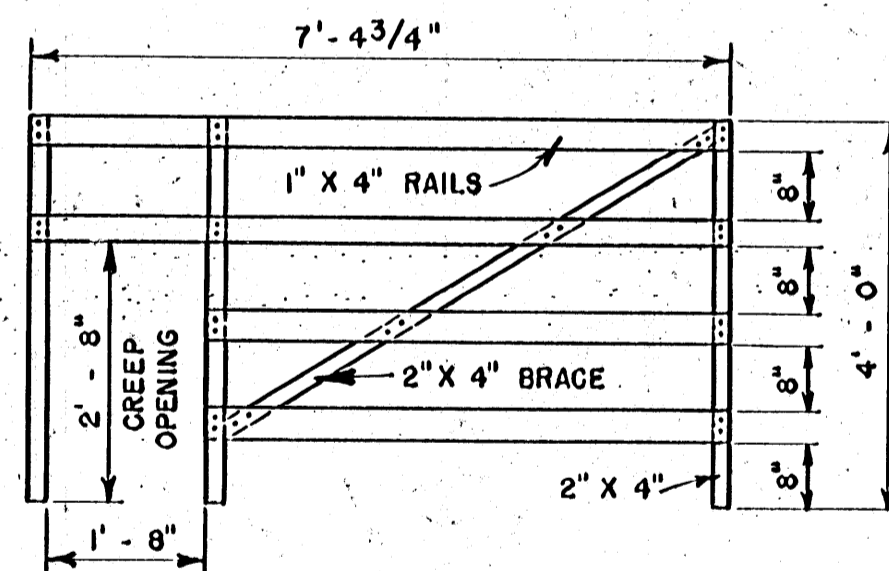
CALF CREEP FEEDER
SCALE: 3/8" = 1' - 0"



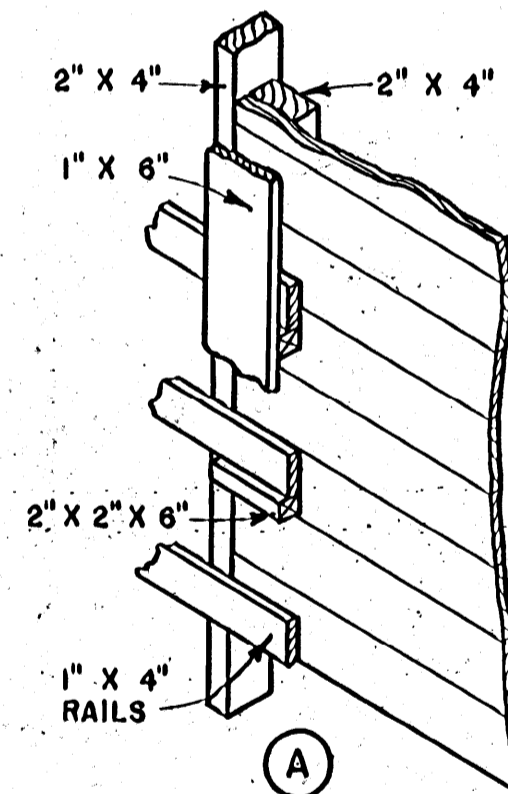
PLAN A-A
SCALE: 1/2" = 1' - 0"



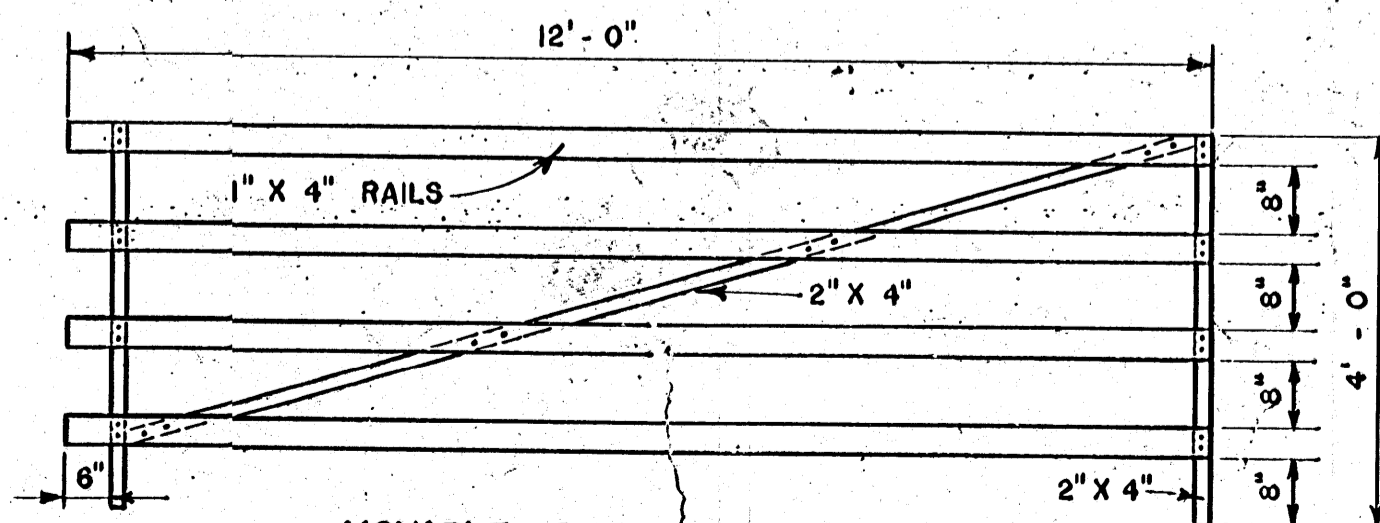
SECTION THROUGH SELF-FEEDER
SCALE: 3/4" = 1' - 0"



MOVABLE END FENCE PANEL
SCALE: 1/2" = 1' - 0"



PANEL DETAIL AT CORNER OF BUILDING
SCALE: 3/4" = 1' - 0"



MOVABLE SIDE FENCE PANEL
SCALE: 1/2" = 1' - 0"

NOTE

RUNNERS, PANEL POSTS & BOTTOM RAIL OF PANEL TO BE TREATED WITH PRESERVATIVE. WIRE FENCE PANELS TO OLD ROD OR PIPE STAKES AT FOUR CORNERS.

COOPERATIVE EXTENSION WORK IN
AGRICULTURE AND HOME ECONOMICS
STATE OF MISSISSIPPI
MISSISSIPPI STATE UNIVERSITY
AND
UNITED STATES DEPARTMENT OF AGRICULTURE COOPERATING

MOVABLE CALF CREEP FEEDER

TENN - USDA EX. 5763 SHEET 1 OF 1