

**NOTES:**

READ YOUR CITY OR COUNTY CODES AND REGULATIONS ON INCINERATORS AND FIREPLACES BEFORE STARTING CONSTRUCTION.

BRICK, CONCRETE BLOCK, GRANITE, LAVA ROCK, COBBLE STONE, LIMESTONE, OR SHALE ARE USED FOR BUILDING A FIREPLACE.

THE FLUE SIZE FOR A BARBECUE SHOULD BE 1/8 THE AREA OF THE GRILL OPENING.

A MINIMUM COOKING SURFACE OF 2 1/2 sq. ft. SIDE WALLS ARE USUALLY 2"-6" HIGHER THAN COOKING LEVEL TO PERMIT ENCLOSING THE GRILL. GRILLS MAY BE MADE FROM 1/2"-3/4" PIPE OR 1/2" REINFORCING ROD SPACED NO MORE 1 1/2" APART OR 3x3 HARDWARE CLOTH, OR 1/2" MESH (2 MESH NO. 4, 225 WIRE FIRE BOXES THAT ARE 12"-18" WIDE, 18"-24" LONG, & 6"-18" ABOVE THE BASE ARE SUFFICIENT FOR MOST PURPOSES.

LARGER FIREBOXES WASTE FUEL.

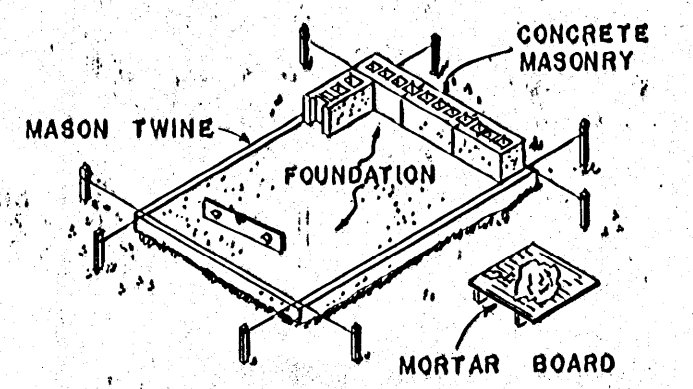
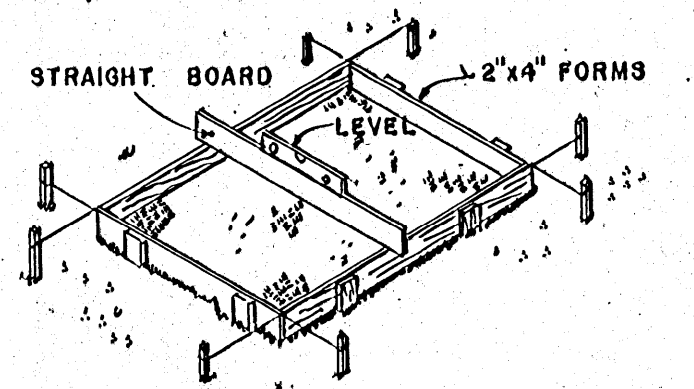
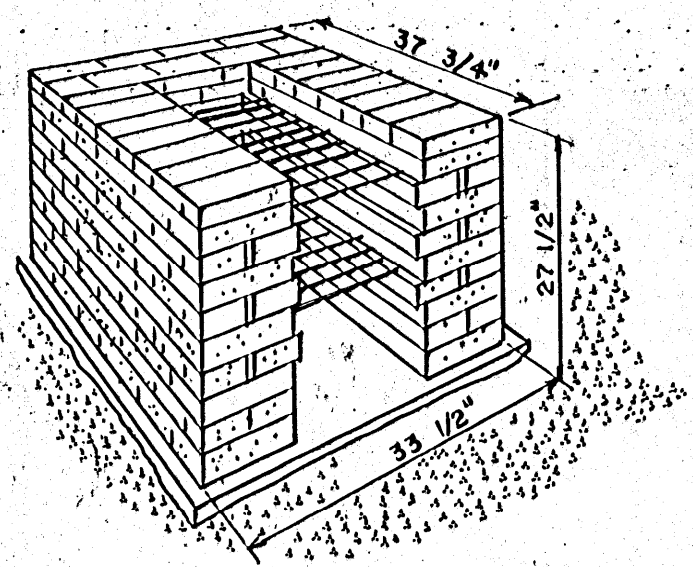
A DAMPER IS NOT NECESSARY.

CEMENT MORTAR IS USUALLY MORE RESISTANT TO THE ACTION OF HEAT & FLUE GASSES THAN LIME MORTAR.

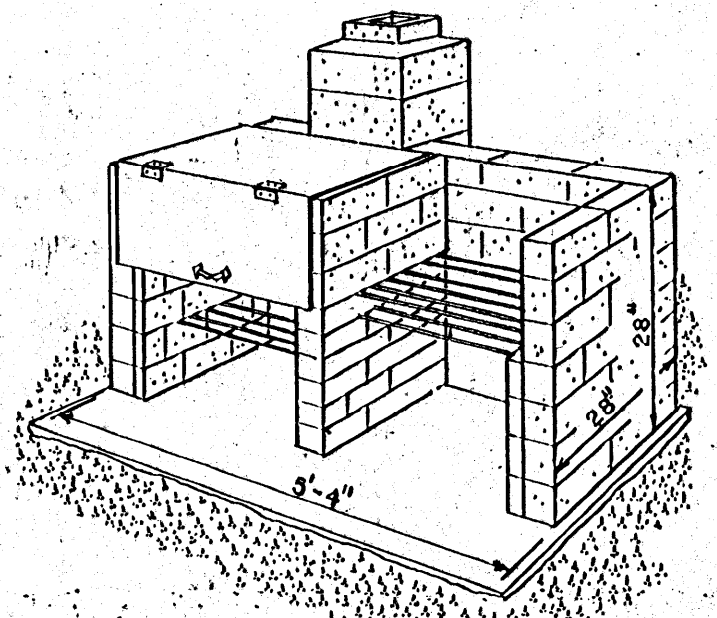
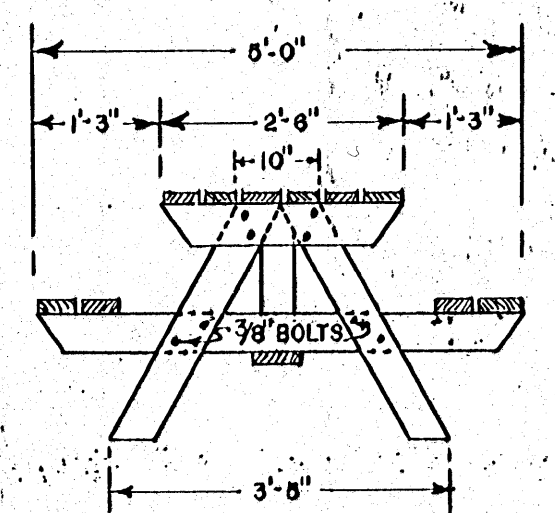
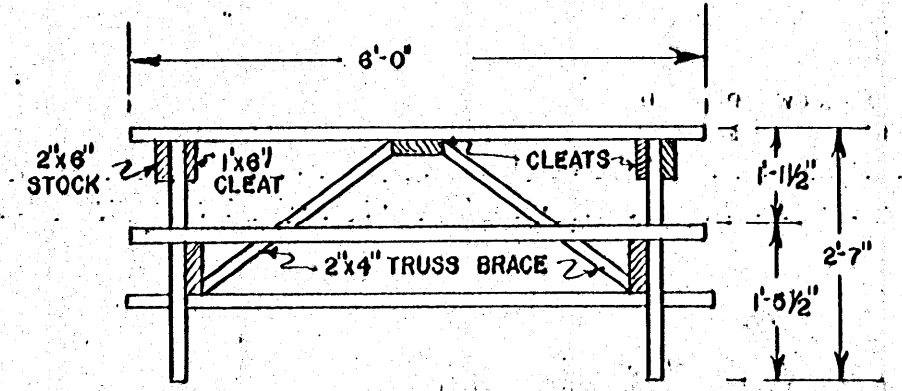
A GOOD MORTAR TO USE IN SETTING FLUE LININGS & ALL CHIMNEY MASONRY, EXCEPT FIREBRICK CONSIST OF:

- 1 PART PORTLAND CEMENT
- 1 PART HYDRATED LIME (OR SLAKED-LIME PUTTY)
- 8 PARTS CLEAN SAND MEASURED BY VOLUME

FIREBRICK SHOULD BE LAID WITH FIRE CLAY. IF FIREBRICK IS NOT USED, USE MORTAR OF 1/2 CEMENT & 1/2 FINE CLAY. DAMPEN MASONRY BEFORE LAYING.



FORMING A SMALL FOUNDATION.



**OUTDOOR FIREPLACE & TABLES**

COOPERATIVE EXTENSION SERVICE  
STATE OF MISSISSIPPI  
MISSISSIPPI STATE UNIVERSITY  
AND  
UNITED STATES DEPARTMENT OF AGRICULTURE COOPERATING

DRAWN BY: R.F.W. CHECKED BY: L.M.  
DATE: AUG 71 DWG. NO. 5188-A SHT. 1 of 1