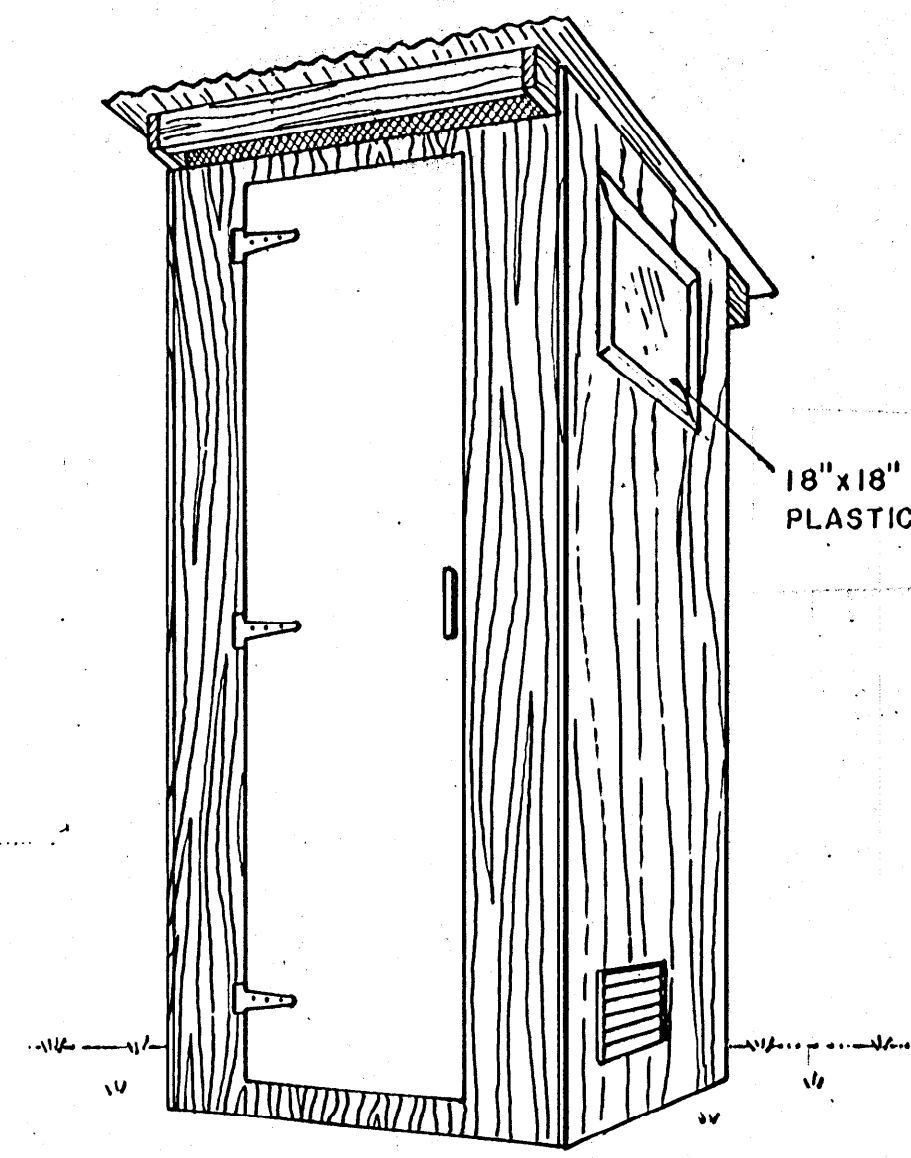
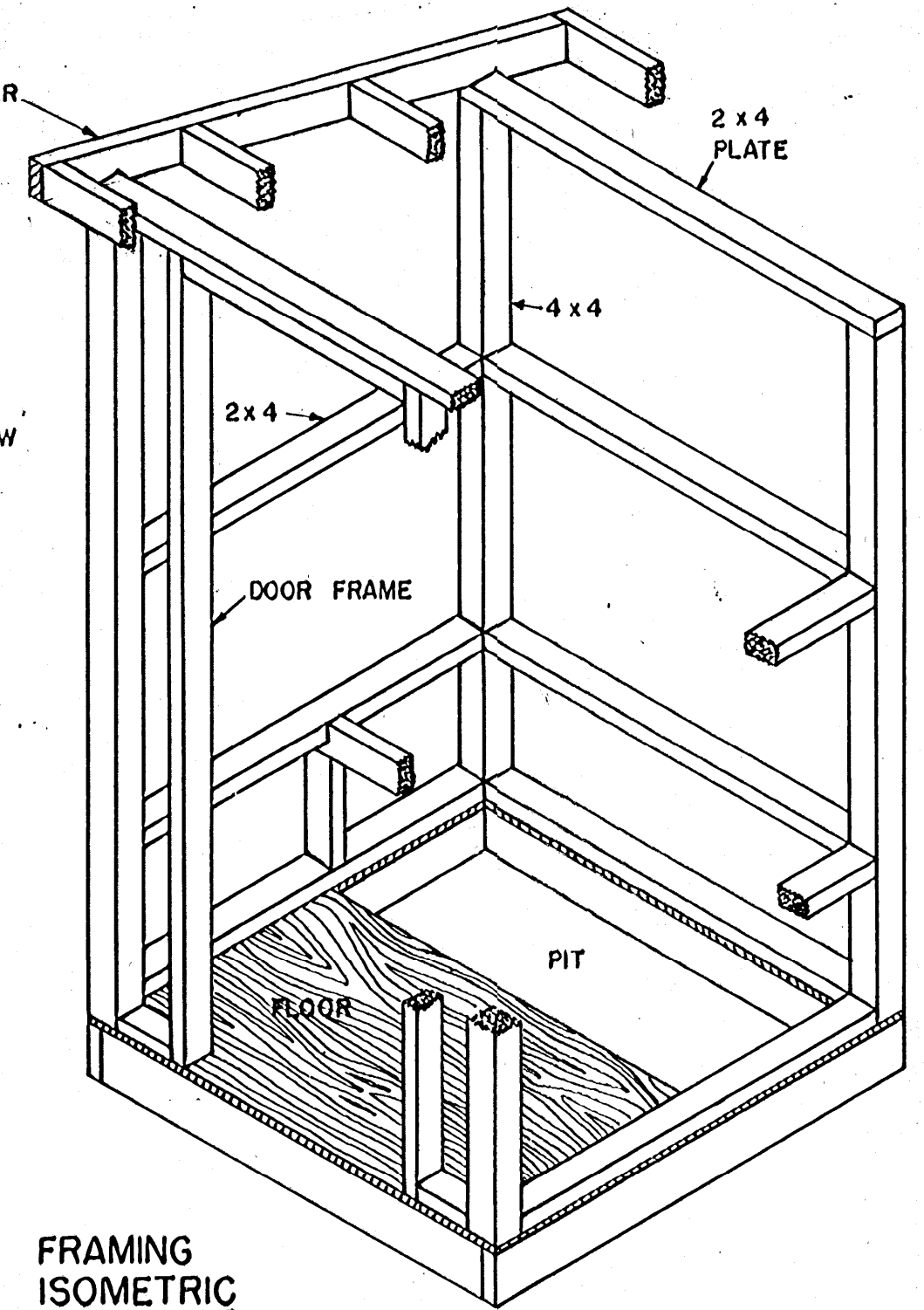


SECTION

SCALE 3/4" = 1'-0"



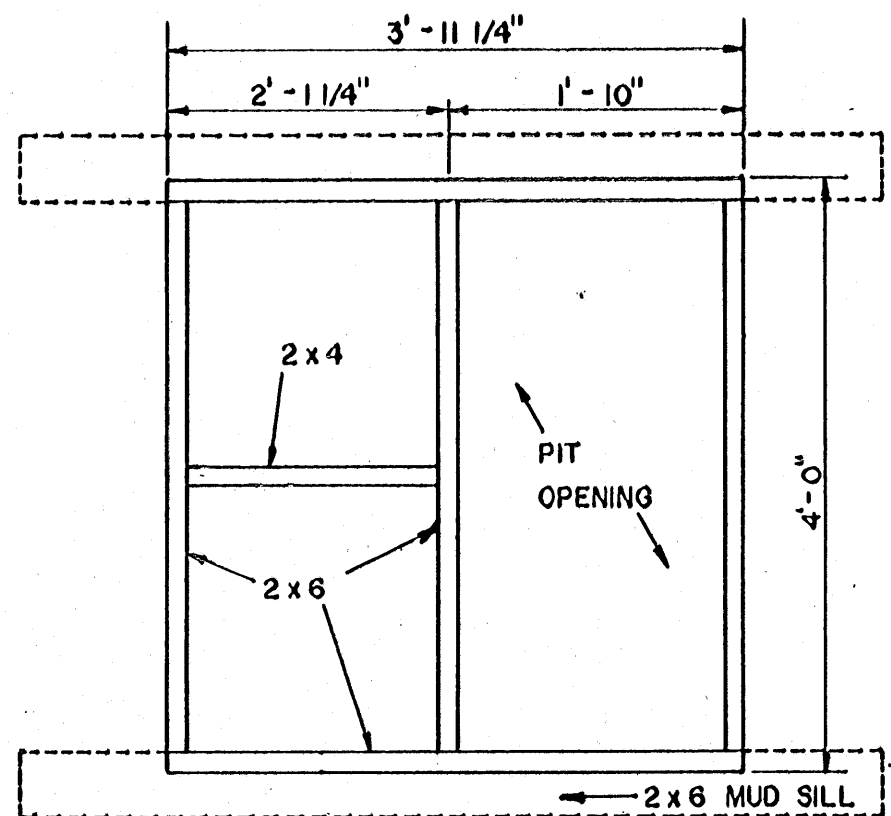
PERSPECTIVE
(NO SCALE)



FRAMING ISOMETRIC
(NO SCALE)

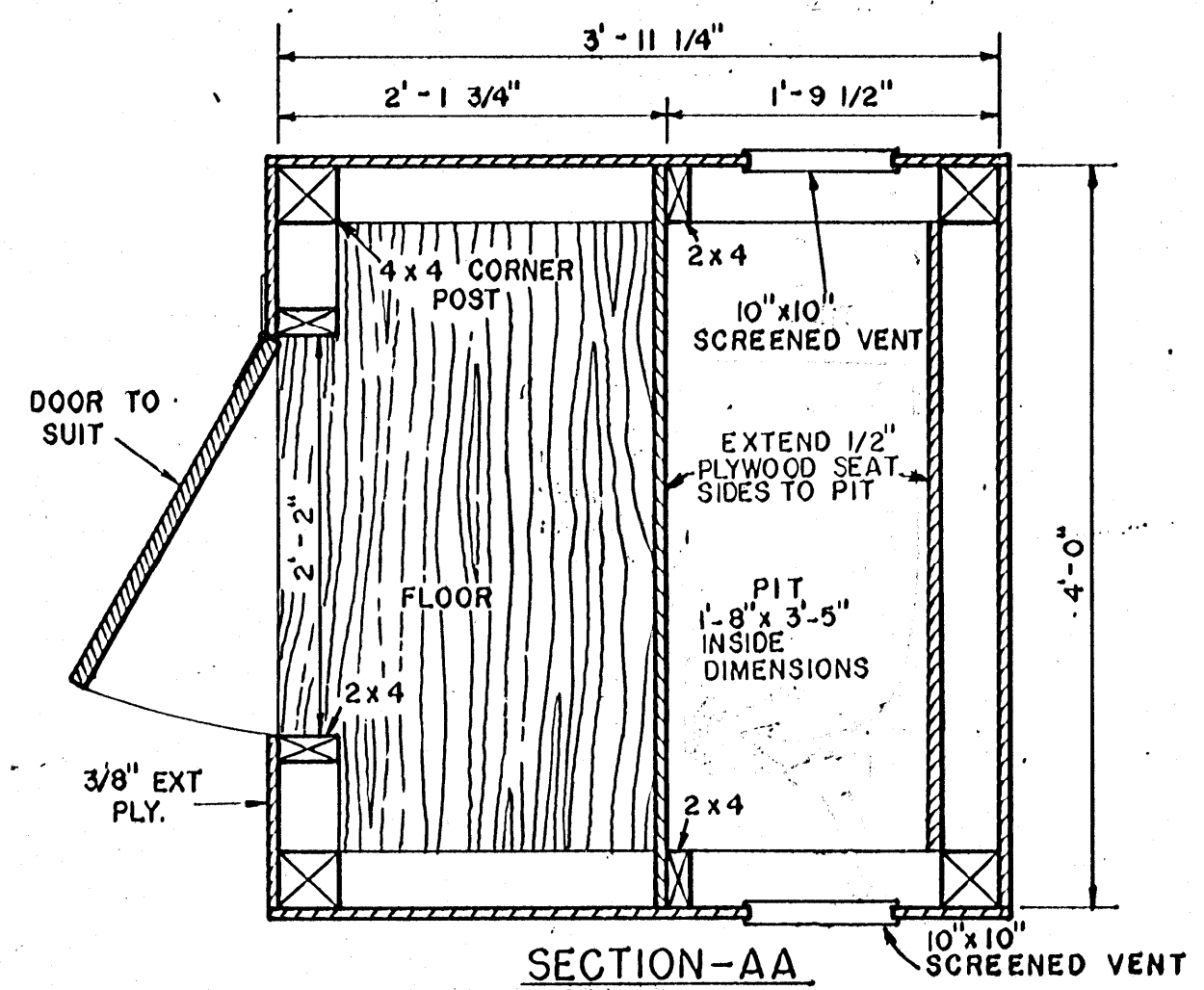
NOTES:

1. ALL PLYWOOD TO BE EXTERIOR TYPE.
2. ALL WOOD BELOW SEAT LEVEL SHOULD BE PRESERVATIVE TREATED.
3. ALL FASTENINGS AND METAL PARTS TO BE CORROSION RESISTANT.
4. CONSULT LOCAL HEALTH OR BUILDING DEPARTMENT OFFICIALS FOR STRUCTURE AND PIT APPROVAL IN YOUR AREA.
5. ALL WOOD BELOW GROUND SHOULD BE PRESERVATIVE TREATED.



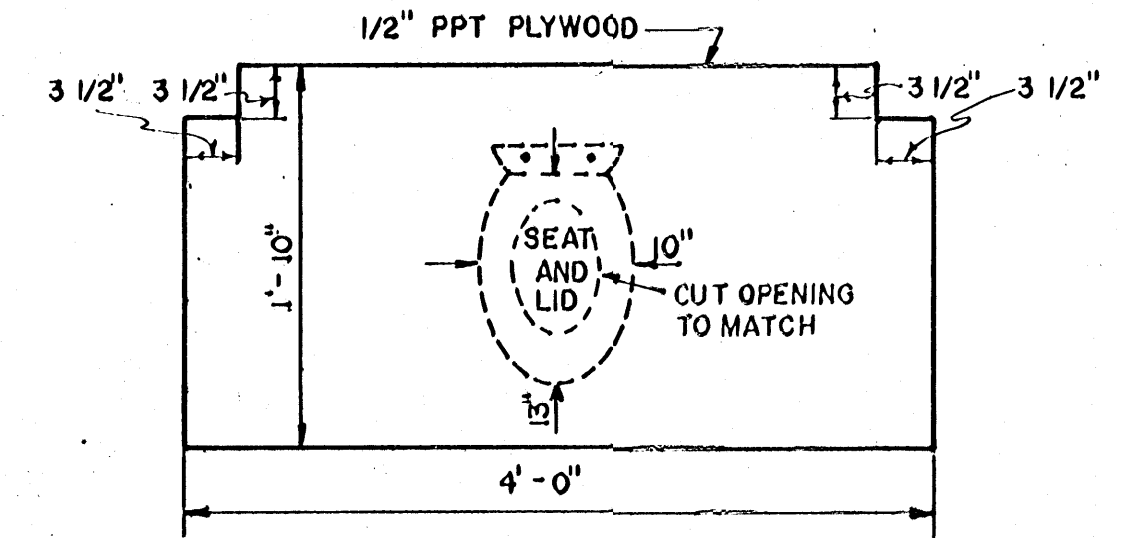
BASE FRAMING PLAN

SCALE 3/4" = 1'-0"



SECTION-AA

SCALE 1" = 1'-0"



SEAT DETAIL

SCALE 1" = 1'-0"

COOPERATIVE EXTENSION SERVICE AGRICULTURE AND HOME ECONOMICS		
AND UNITED STATES DEPARTMENT OF AGRICULTURE COOPERATING		
PIT-TYPE PRIVY		
MASS '68	6396	SHEET 1 OF 1
REV '87		
REV OF 6054		