

NOTES:

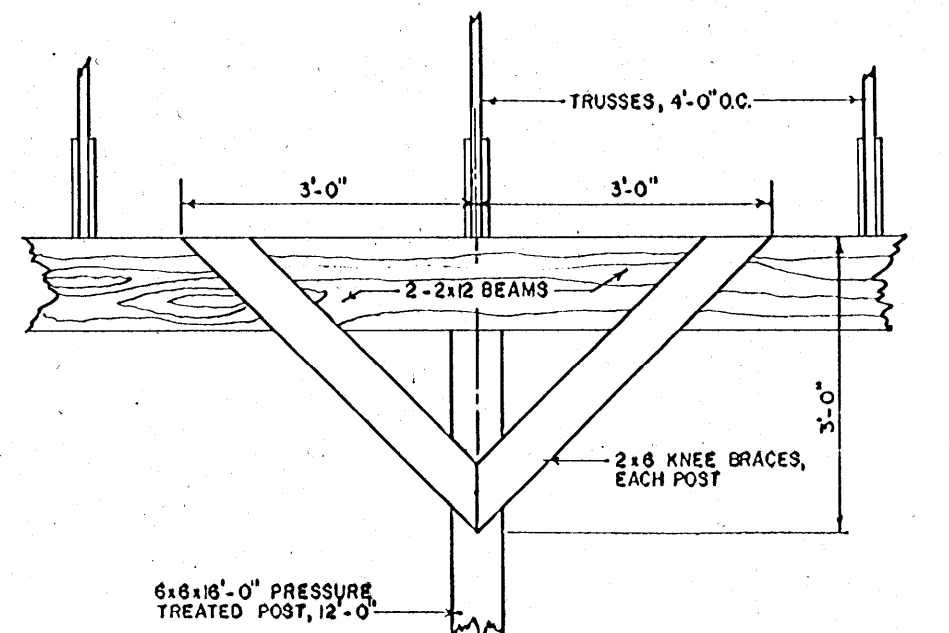
ROOF OVERHANG 2'-0" WHERE NOT REQUIRED TO PROTECT FEEDING AREAS.

ALL WOOD IN CONTACT WITH CONCRETE OR GROUND TO BE PRESSURE TREATED WOOD.

FREE STALL SIZES

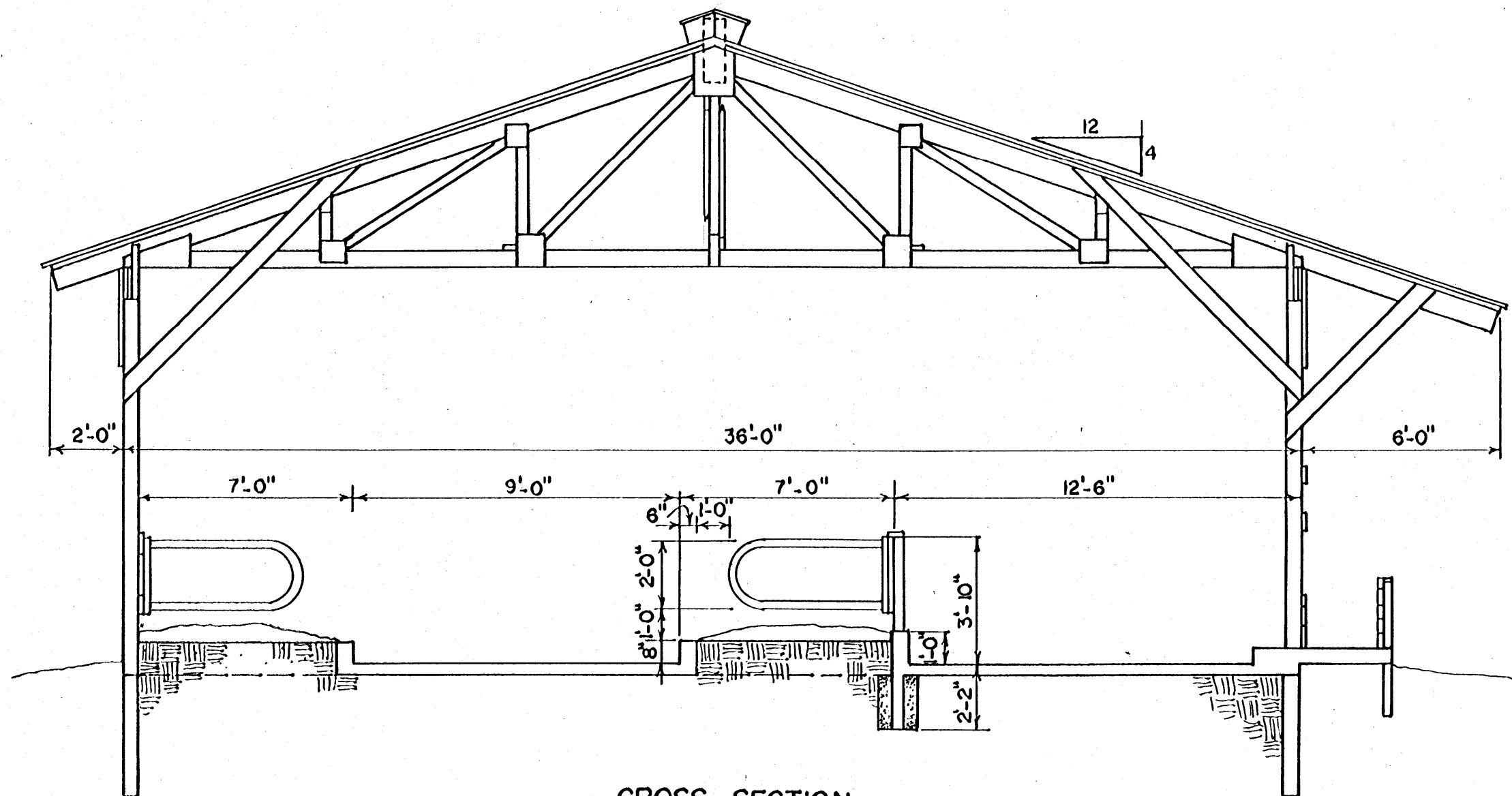
ANIMAL WT.	1000 LB.	1300 LB.
WIDTH	3'-6"	4'-0"
LENGTH	6'-6"	7'-0"

STALL SIZE SHOWN IS FOR 1300 LB. ANIMALS. SMALLER STALLS NEEDED FOR SMALLER ANIMALS.



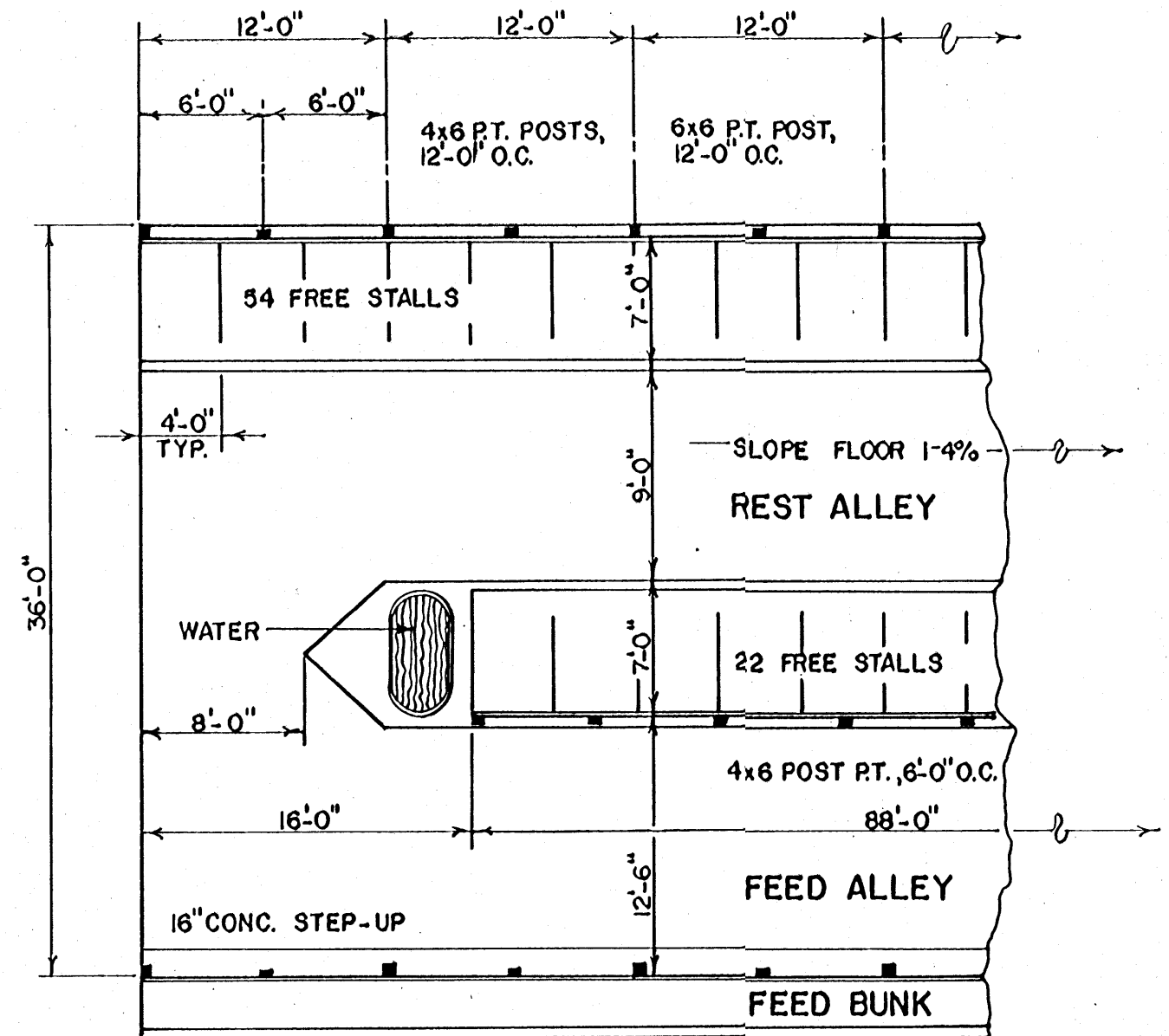
KNEE BRACE DETAIL (FOR ALL LAYOUTS)

SCALE 1/2" = 1'-0"



CROSS SECTION

SCALE 1/4" = 1'-0"

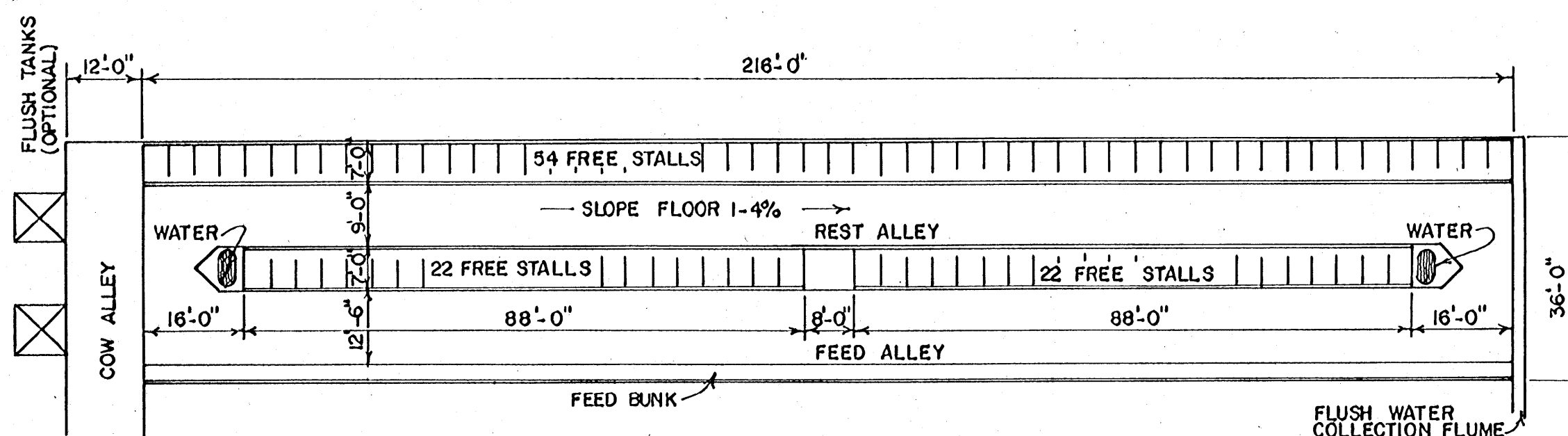


TYPICAL DETAIL

SCALE 1/8" = 1'-0"

NOTE:

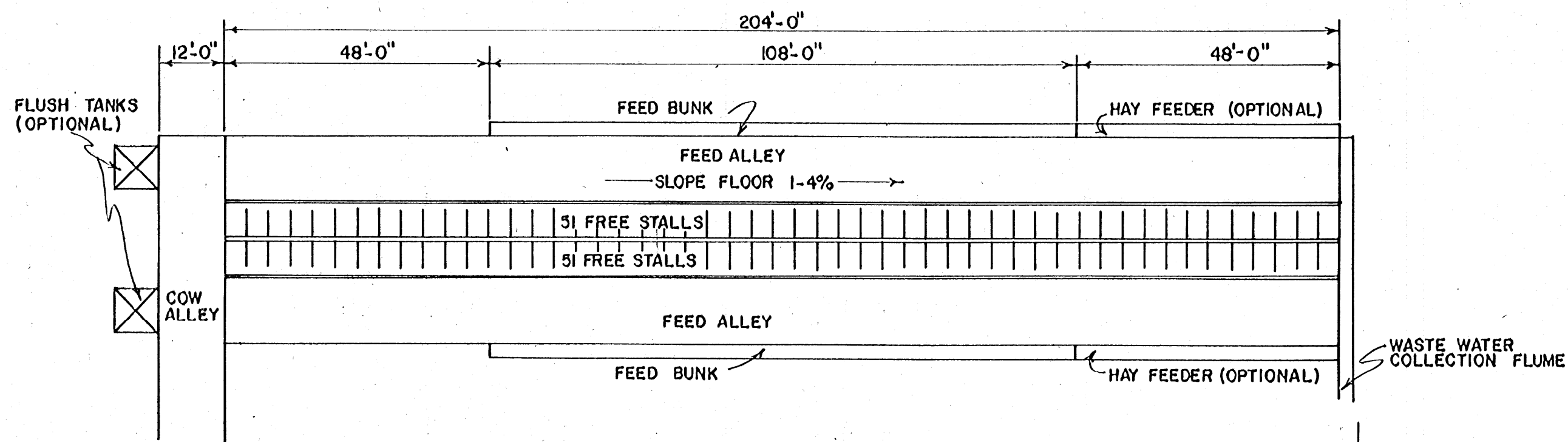
TYPICAL DETAIL, CROSS SECTION, FLOOR PLAN ON SHT. 2 FOR DOUBLE ROW, SINGLE FEED BUNK



FLOOR PLAN

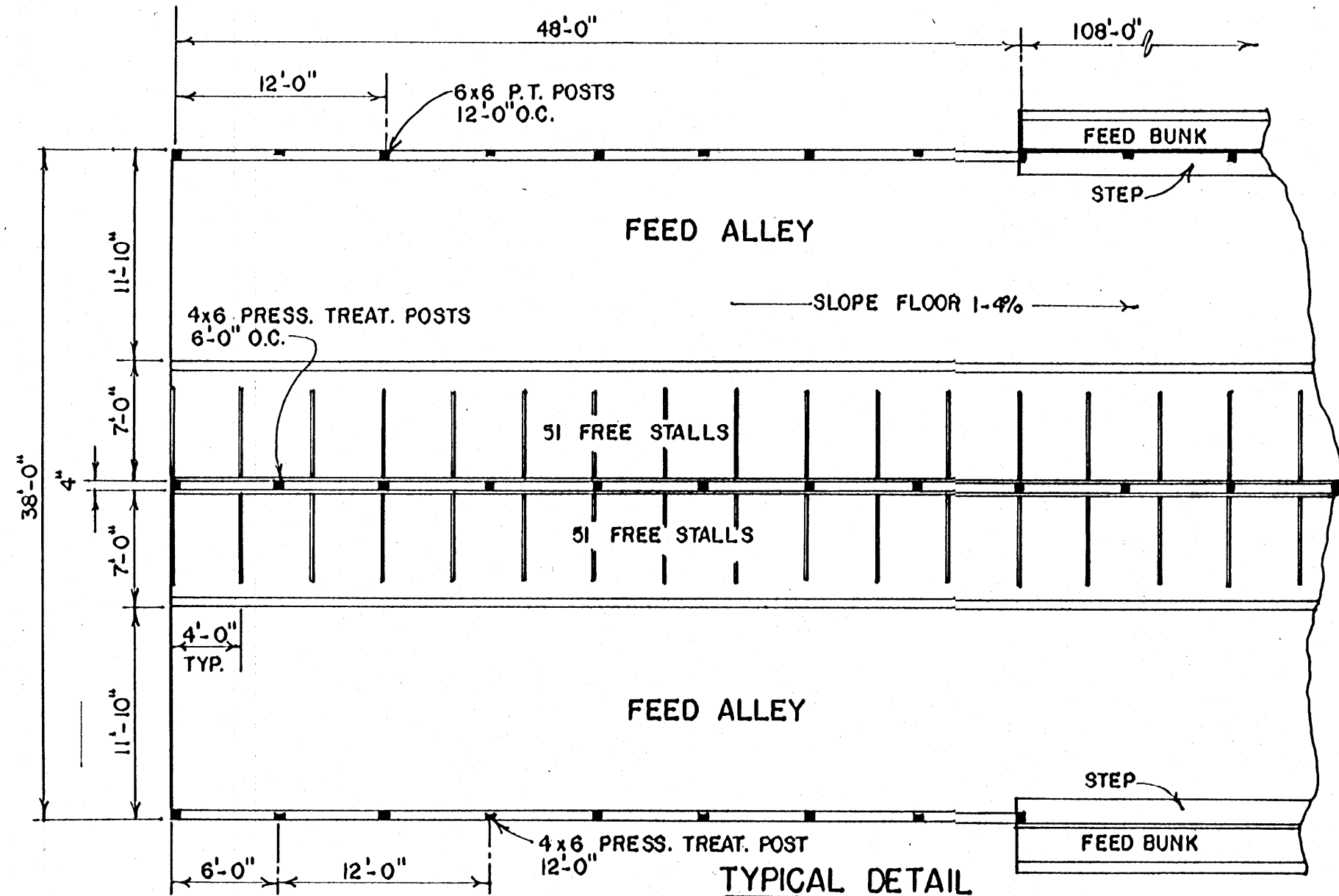
SCALE 3/84" = 1'-0"

COOPERATIVE EXTENSION SERVICE AGRICULTURE AND HOME ECONOMICS		
AND UNITED STATES DEPARTMENT OF AGRICULTURE COOPERATING		
WARM REGION FREE STALL LAYOUTS		
SC '87	6393	SHEET 2 OF 3



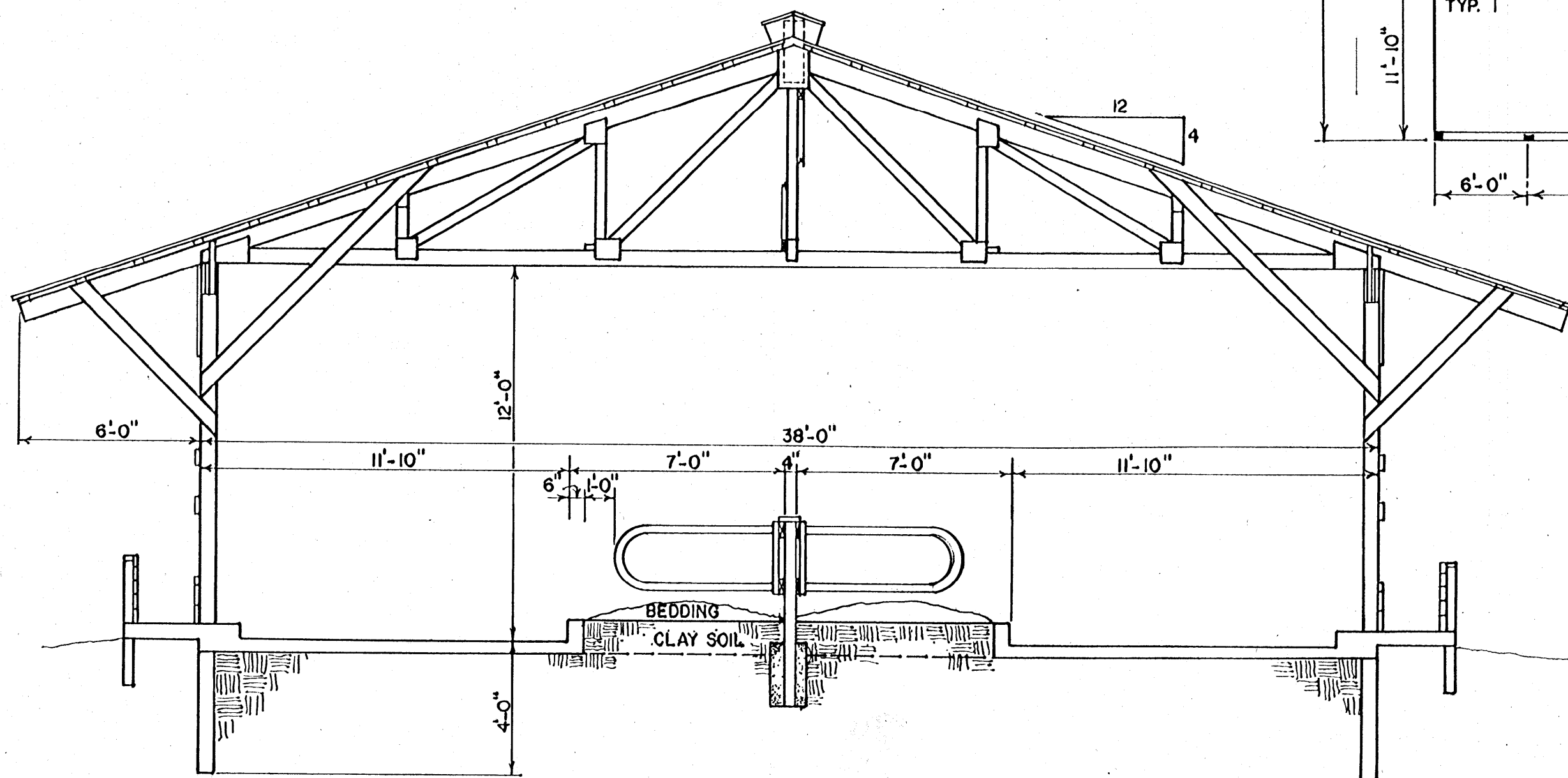
FLOOR PLAN

12' 0" 5' 12' 22' SCALE 3/64" = 1'-0"



TYPICAL DETAIL

12' 0" 4' 11' SCALE 1/8" = 1'-0"



CROSS SECTION

12' 0" 1' 2' 4' SCALE 1/4" = 1'-0"

NOTE:
FLOOR PLAN, CROSS SECTION,
TYPICAL DETAIL ON SH. 3
FOR DOUBLE ROW, DOUBLE FEED
BUNK

COOPERATIVE EXTENSION SERVICE AGRICULTURE AND HOME ECONOMICS		
AND UNITED STATES DEPARTMENT OF AGRICULTURE COOPERATING		
WARM REGION FREE STALL LAYOUTS		
SC '87	6393	SHEET 3 OF 3