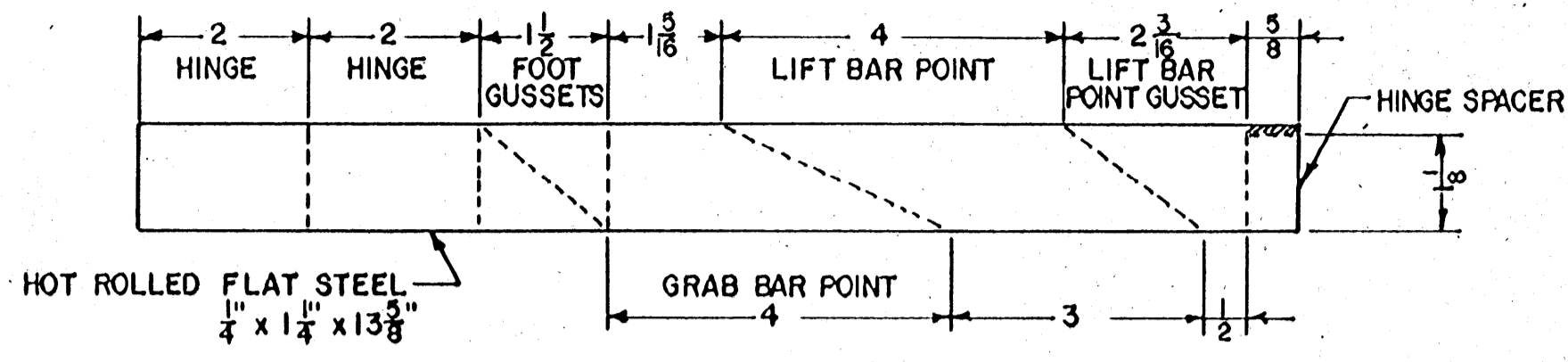
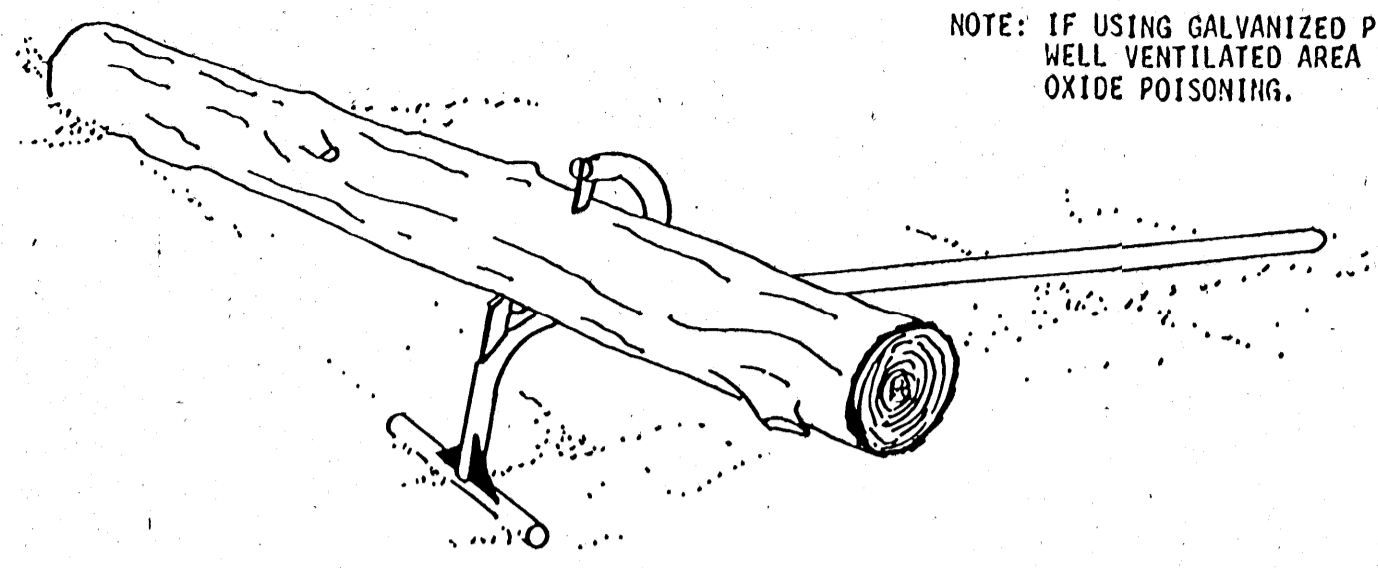


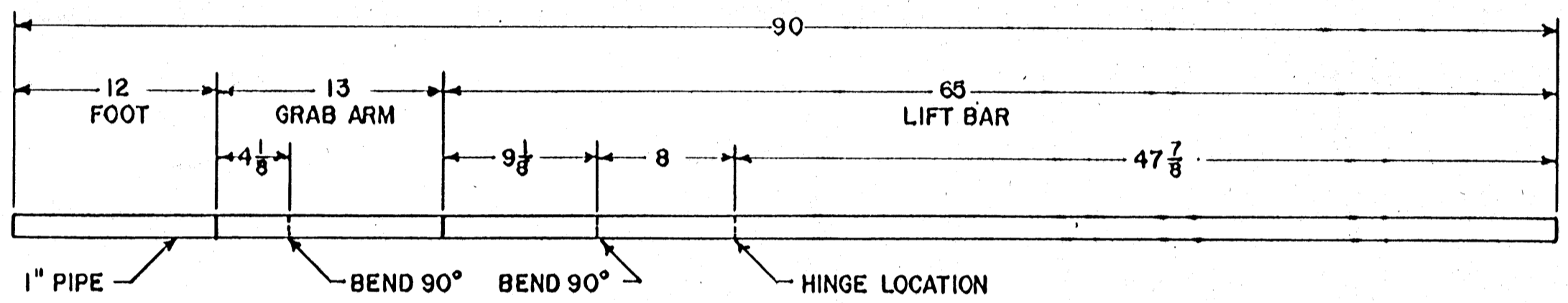
NOTE: IF USING GALVANIZED PIPE, WELD IN WELL VENTILATED AREA TO AVOID ZINC OXIDE POISONING.



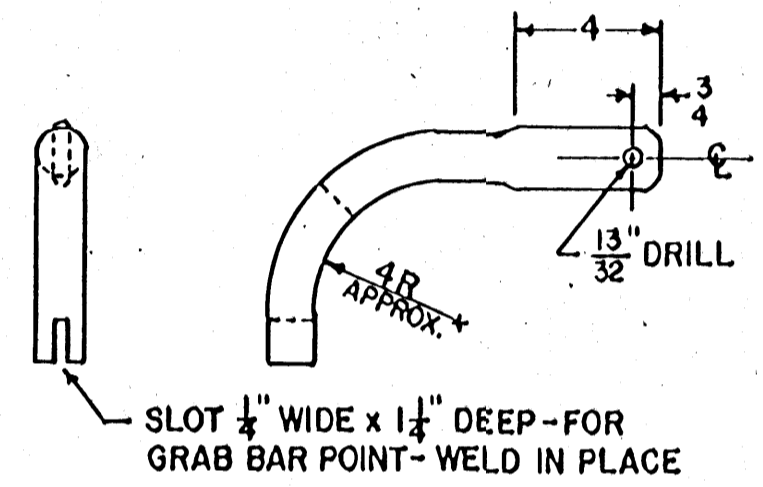
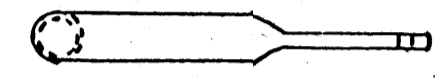
**STRAP STEEL CUTTING DIAGRAM** SCALE:  $\frac{1}{2}'' = 1''$



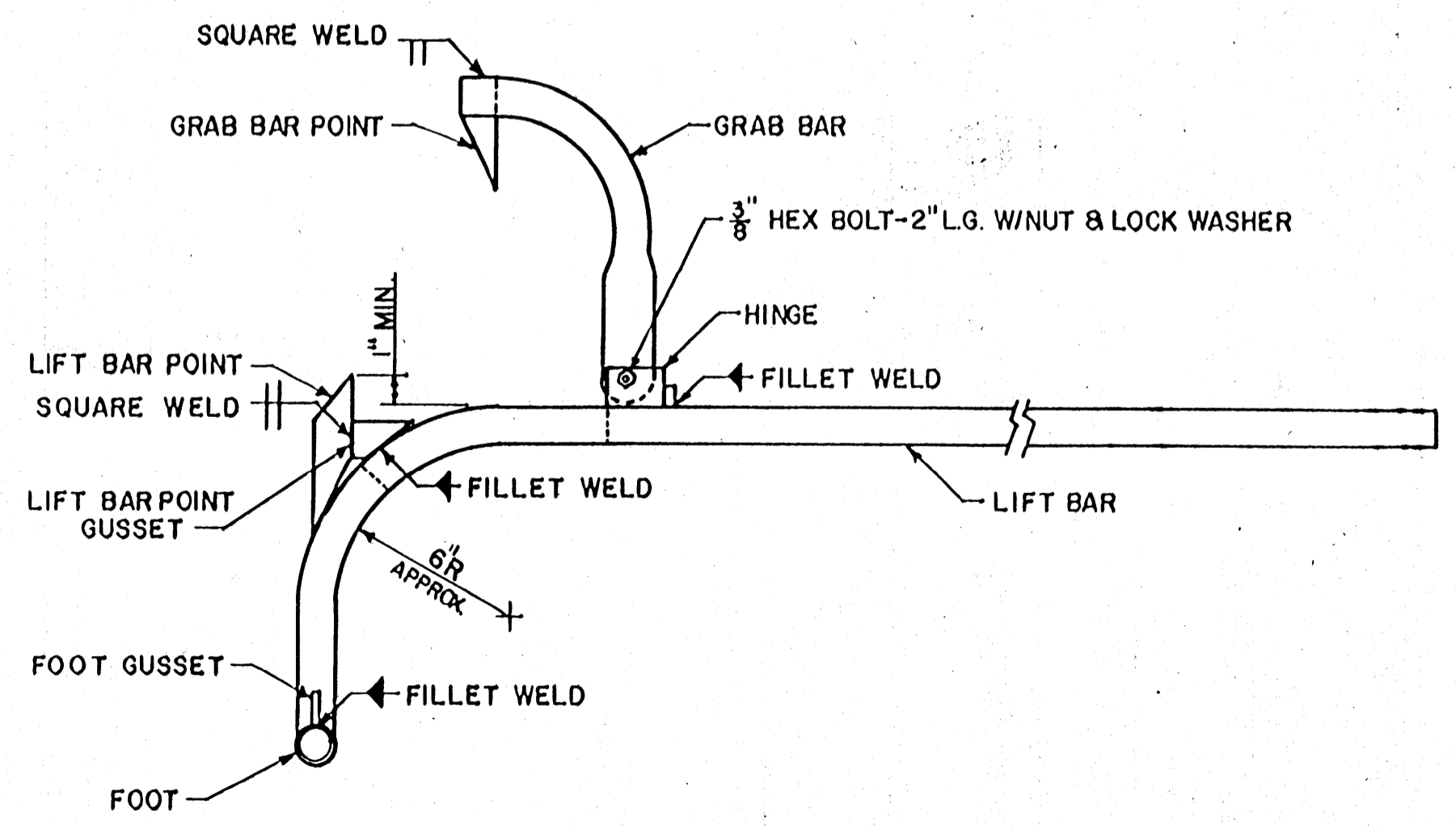
**PERSPECTIVE** NO SCALE



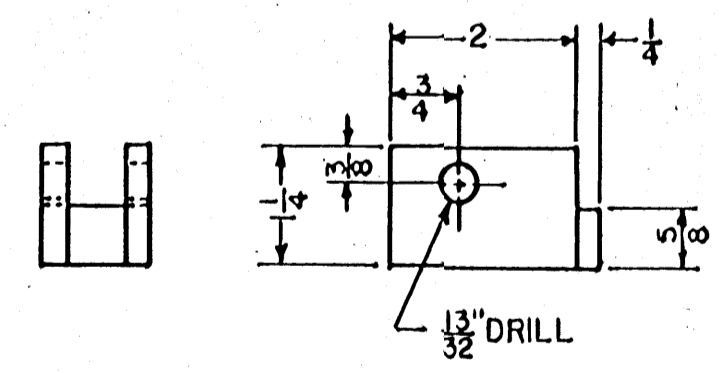
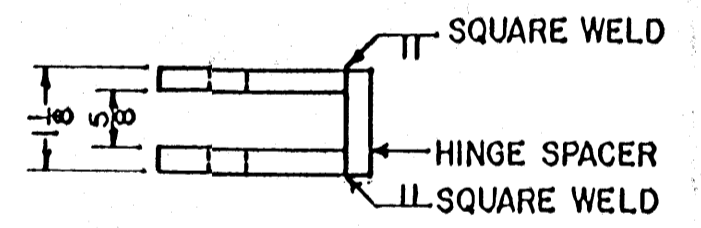
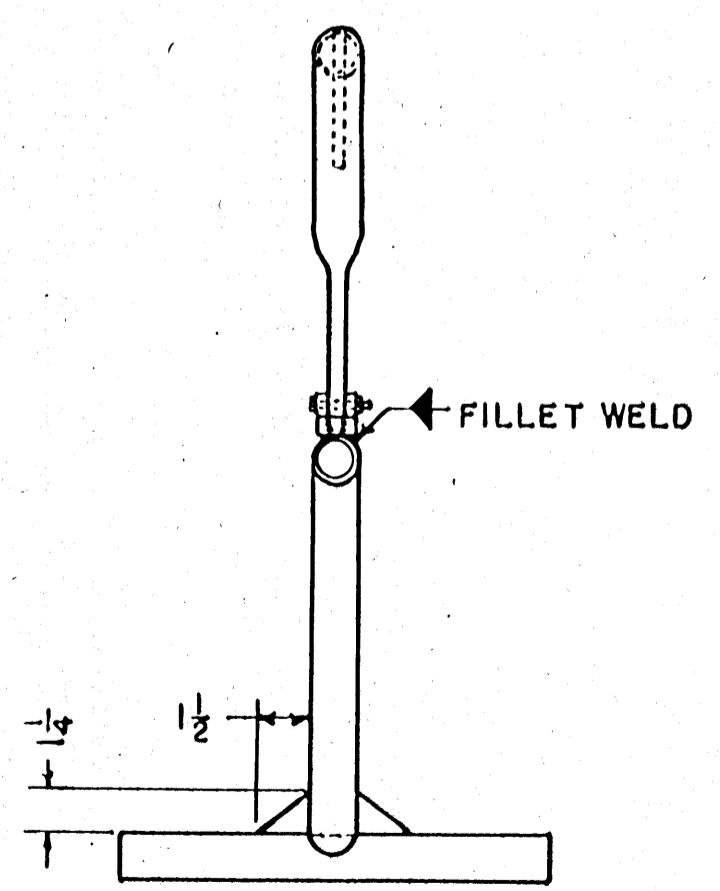
**BLACK IRON PIPE CUTTING DIAGRAM** SCALE:  $\frac{1}{8}'' = 1''$



**GRAB BAR DETAILS** SCALE:  $\frac{3}{16}'' = 1''$



**ASSEMBLY DRAWINGS** SCALE:  $\frac{3}{16}'' = 1''$



**HINGE DETAILS** SCALE:  $\frac{1}{2}'' = 1''$

COOPERATIVE EXTENSION SERVICE  
 AGRICULTURE AND HOME ECONOMICS  
 STATE OF MISSISSIPPI  
 MISSISSIPPI STATE UNIVERSITY  
 AND  
 UNITED STATES DEPARTMENT OF AGRICULTURE COOPERATING

**12" LOG LIFTER**  
 W VA '86 6379 SHEET 1 OF 1