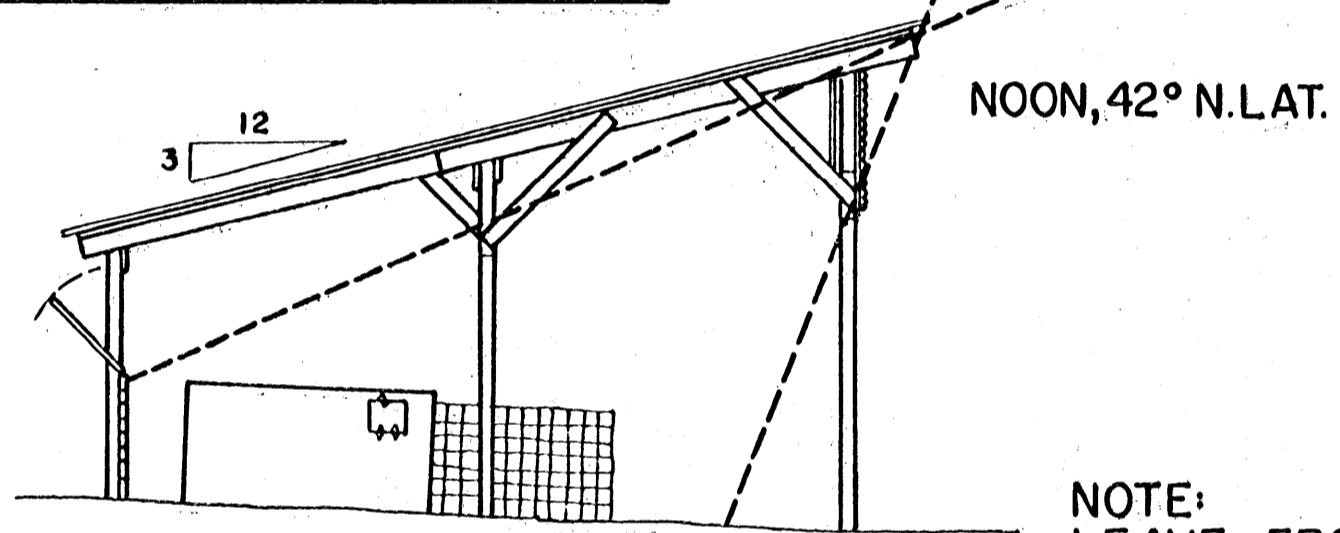
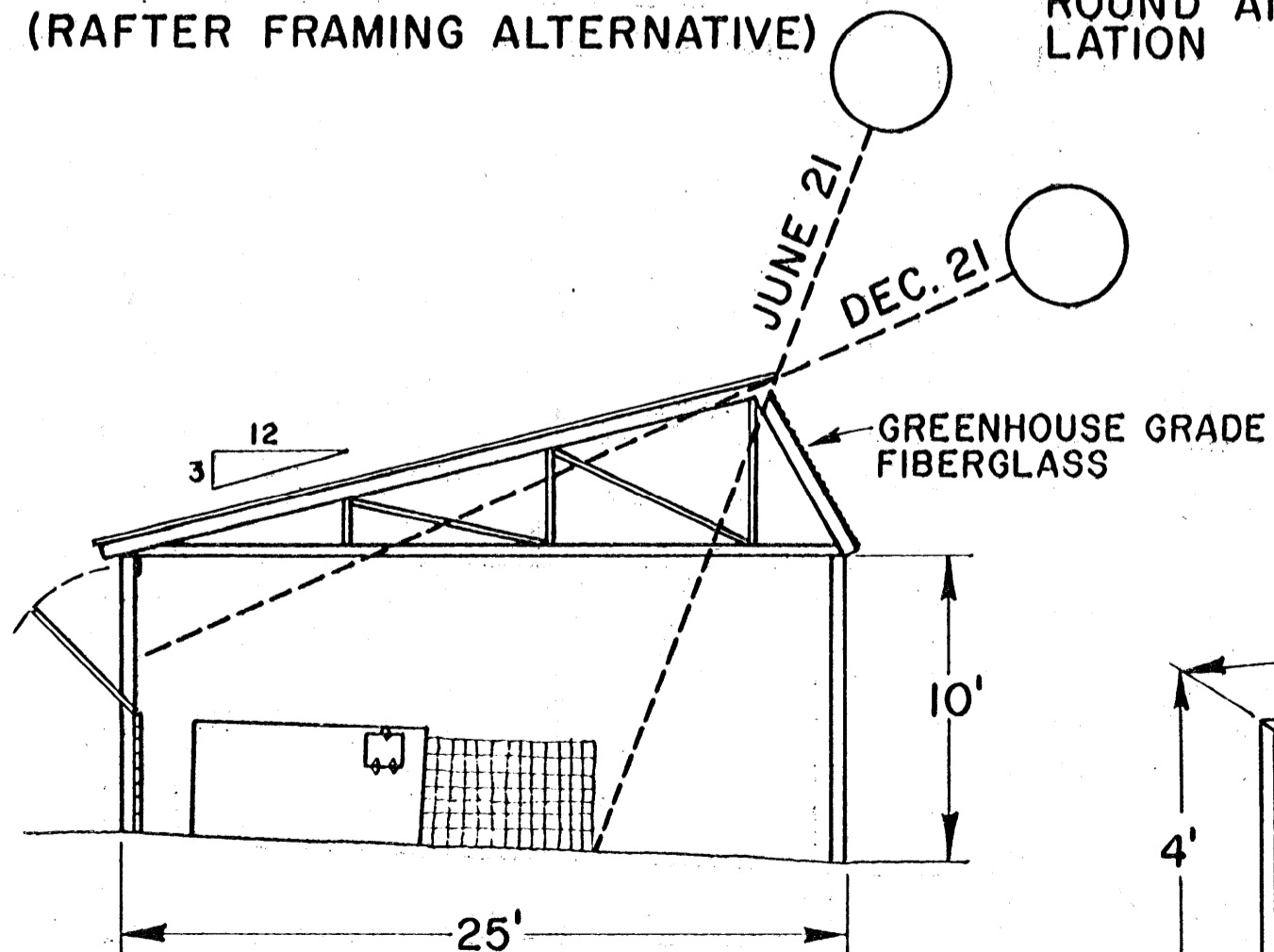


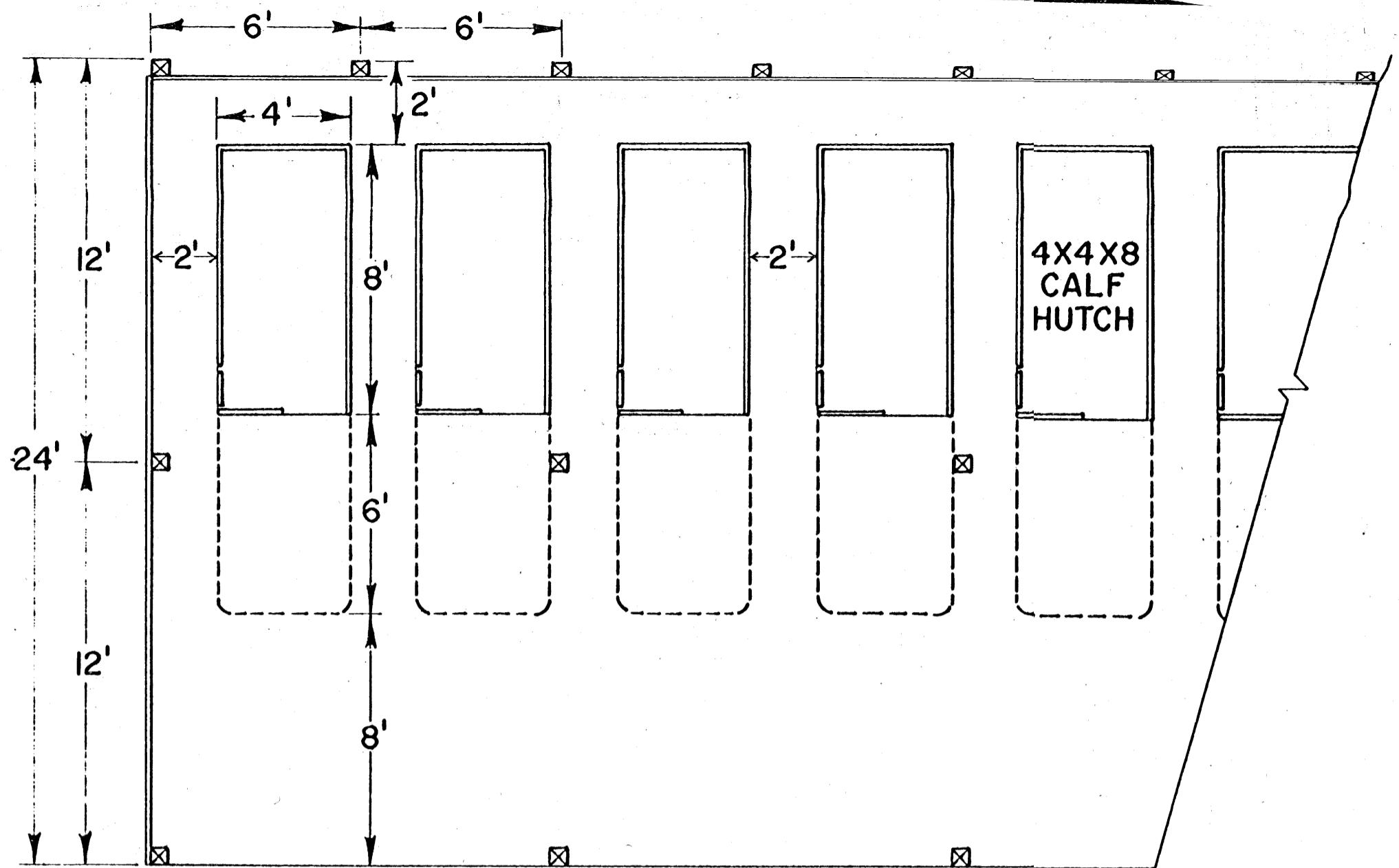
BUTT ENCASED FOOTING



SOLAR PENETRATION (RAFTER FRAMING ALTERNATIVE)

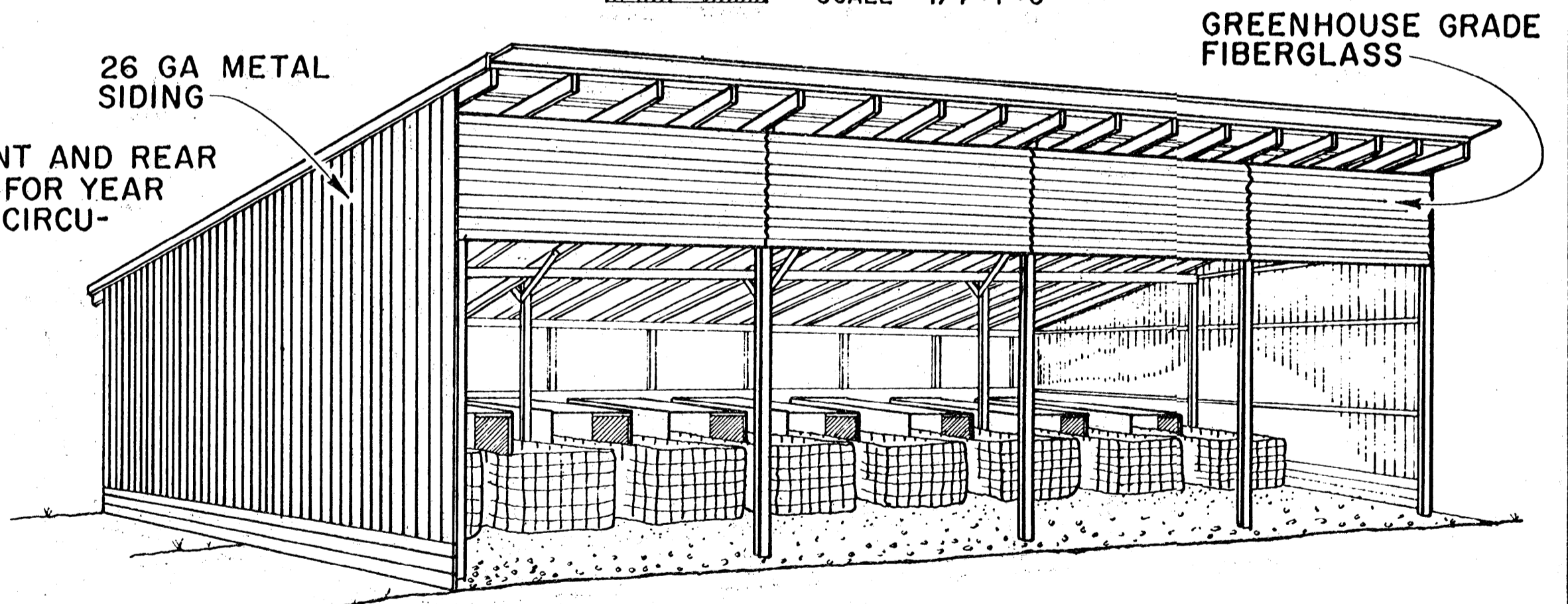


SOLAR PENETRATION (TRUSS FRAMING ALTERNATIVE)

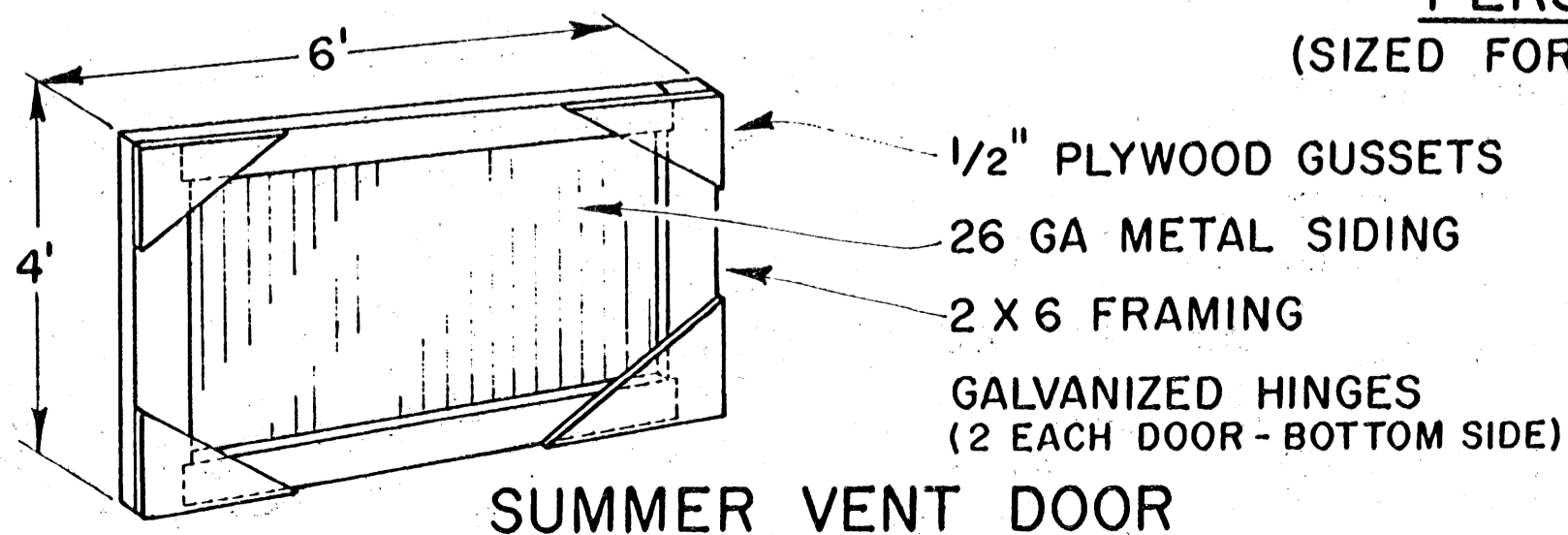


PLAN

12' 0' 1' 2' 4' SCALE 1/4" = 1'-0"

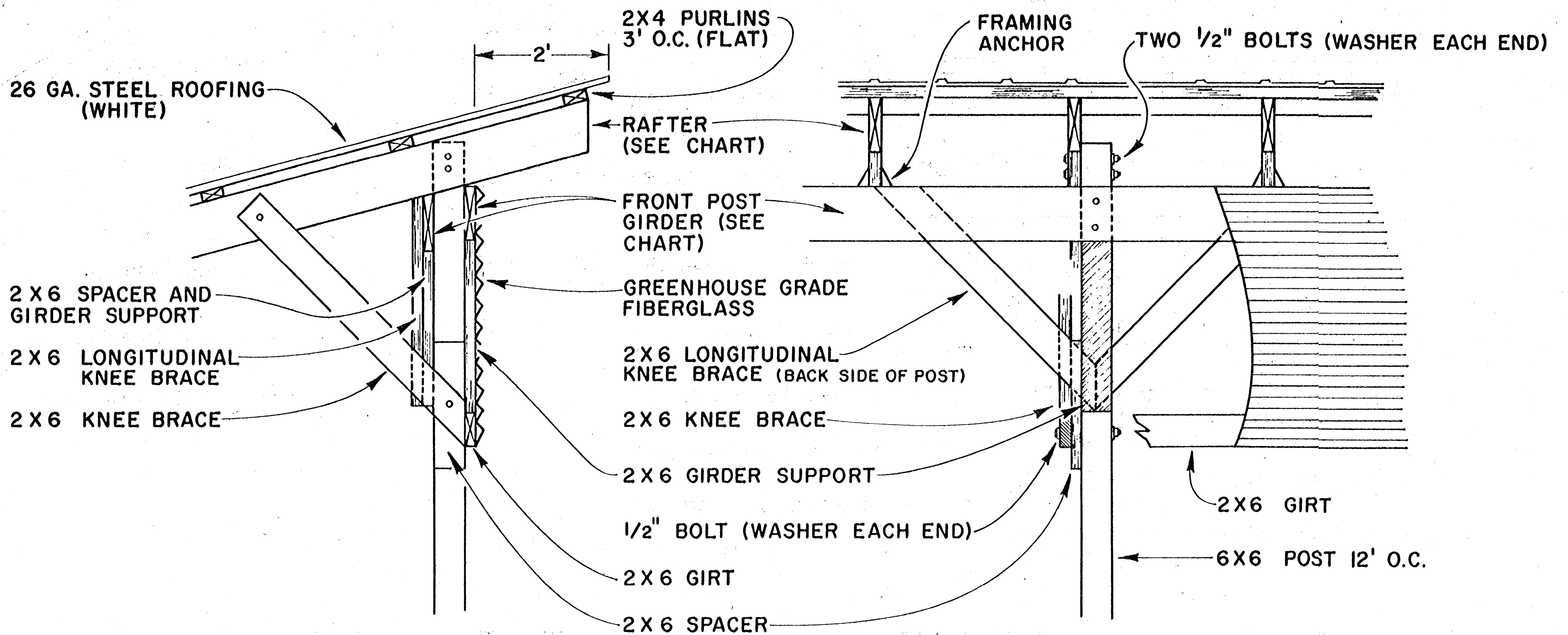


PERSPECTIVE (SIZED FOR 60 COW HERD)



SUMMER VENT DOOR

| | | |
|---|------|--------------|
| COOPERATIVE EXTENSION SERVICE AGRICULTURE AND HOME ECONOMICS | | |
| AND UNITED STATES DEPARTMENT OF AGRICULTURE COOPERATING | | |
| SOLAR CALF HUTCH SHELTER | | |
| WI'85 | 6374 | SHEET 1 OF 2 |

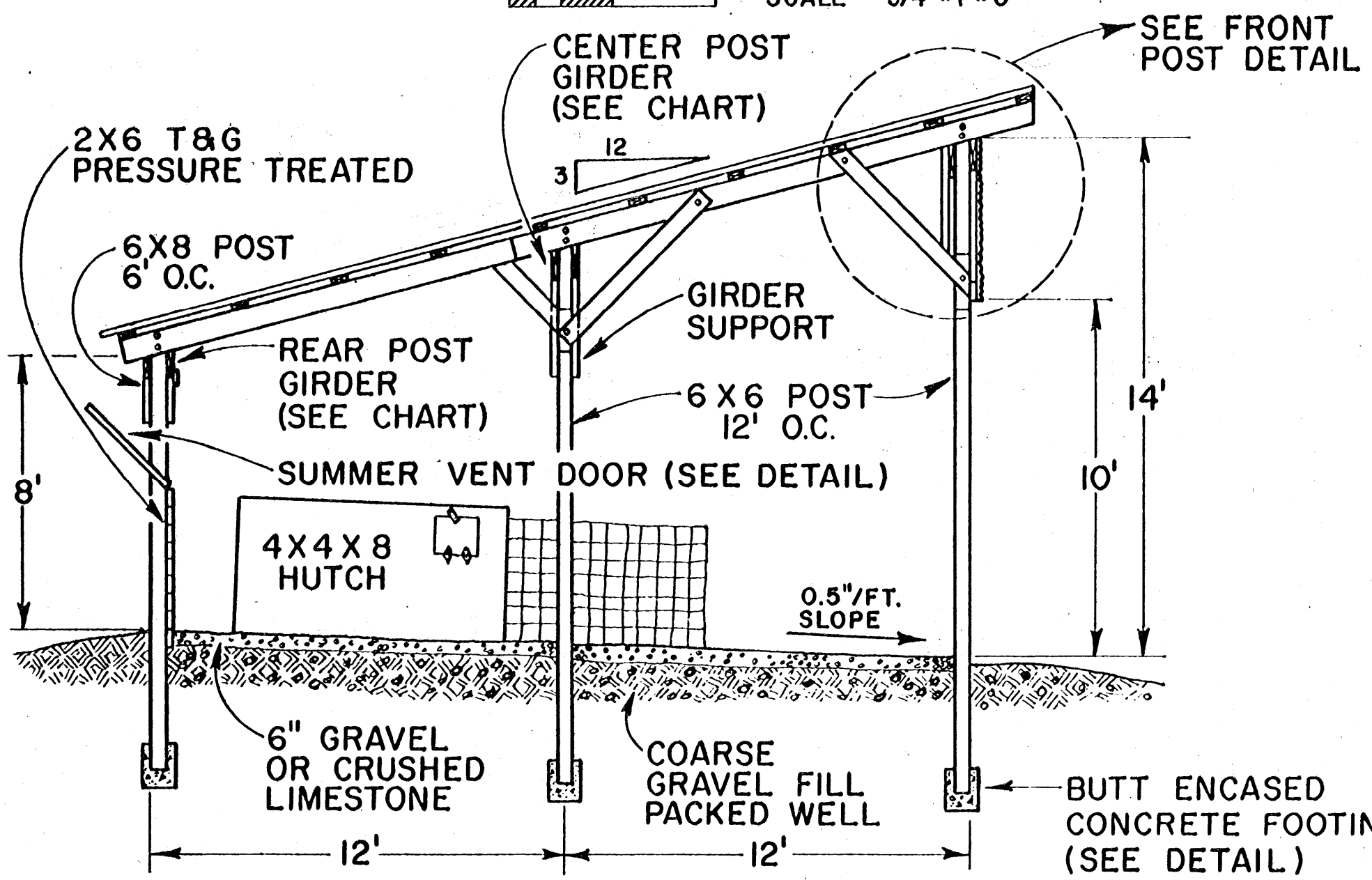


SIDE VIEW: FRONT POST DETAIL

FRONT VIEW: TYPICAL FRONT POST DETAIL

SCALE 3/4" = 1'-0"

SCALE 3/4" = 1'-0"



CROSS SECTION SCALE 1/4" = 1'-0"

LUMBER SIZES: *

| | SOUTHERN PINE & DOUGLAS FIR (NO. 1 OR BETTER) | HEMLOCK (NO. 1 OR BETTER) |
|---------------------|--|--|
| RAFTERS | 2X6 2' O.C. 2X8 3' O.C. | 2X8 2' O.C. 2X10 3' O.C. |
| REAR POST GIRDERS | 2(2X6) W. RAFTERS 2' O.C. 2(2X8) W. RAFTERS 3' O.C. | 2(2X6) W. RAFTERS 2' O.C. 2(2X8) W. RAFTERS 3' O.C. |
| CENTER POST GIRDERS | 2(2X14) W. RAFTERS 2' O.C. 2(2X12) W. RAFTERS 3' O.C. | 2(2X14) W. RAFTERS 2' OR 3' O.C. |
| FRONT POST GIRDERS | 2(2X10) W. RAFTERS 2' O.C. 2(2X8) W. RAFTERS 3' O.C. | 2(2X10) W. RAFTERS 2' OR 3' O.C. |

* NOTE: THESE LUMBER SIZES ARE FOR A 30 LB. / SQ. FT. SNOW LOAD.

RAFTER & GIRDER CHART

COOPERATIVE EXTENSION SERVICE
AGRICULTURE AND HOME ECONOMICS

AND
UNITED STATES DEPARTMENT OF AGRICULTURE COOPERATING

SOLAR CALF HUTCH SHELTER

WI '85 6374 SHEET 2 OF 2