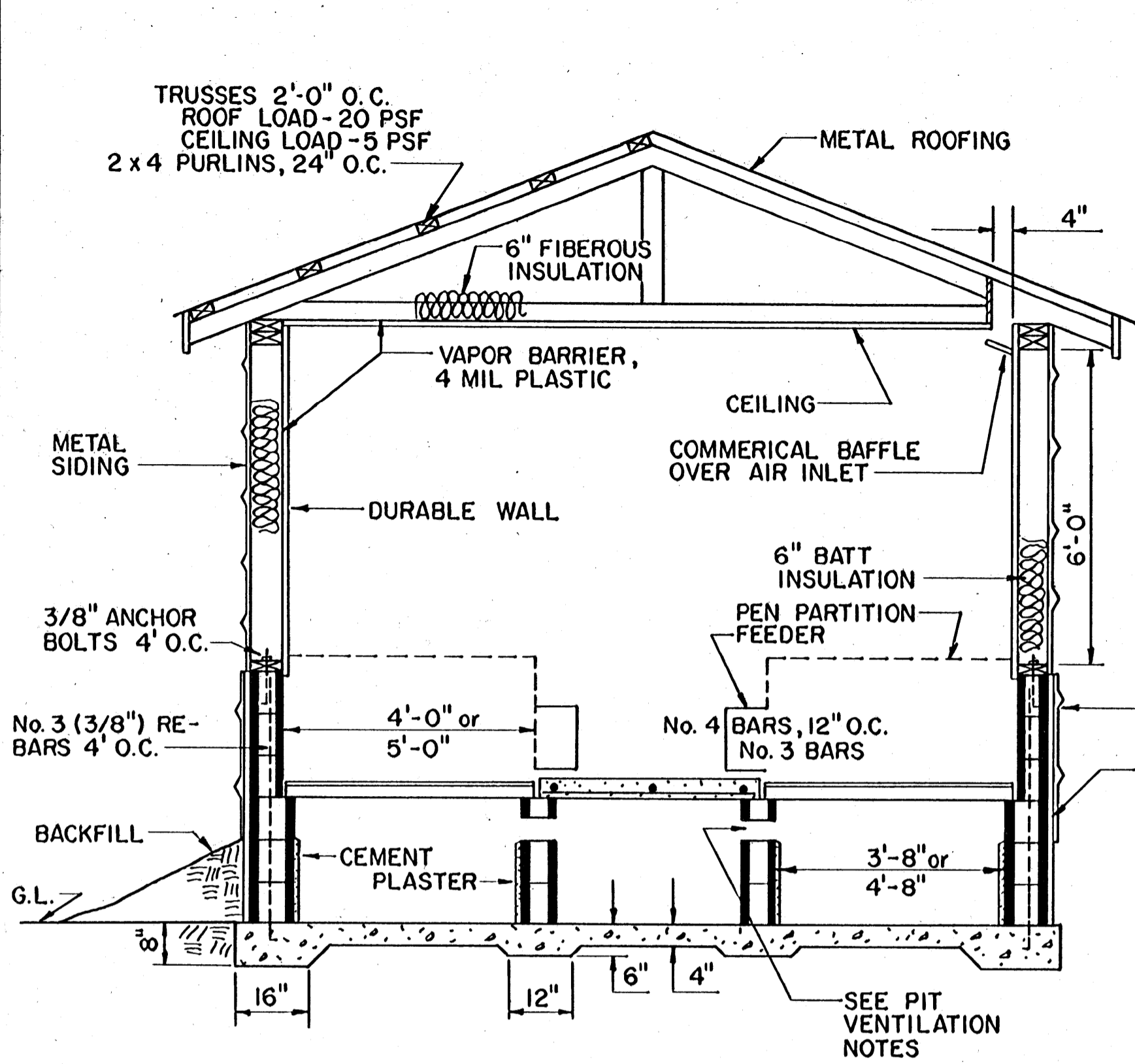
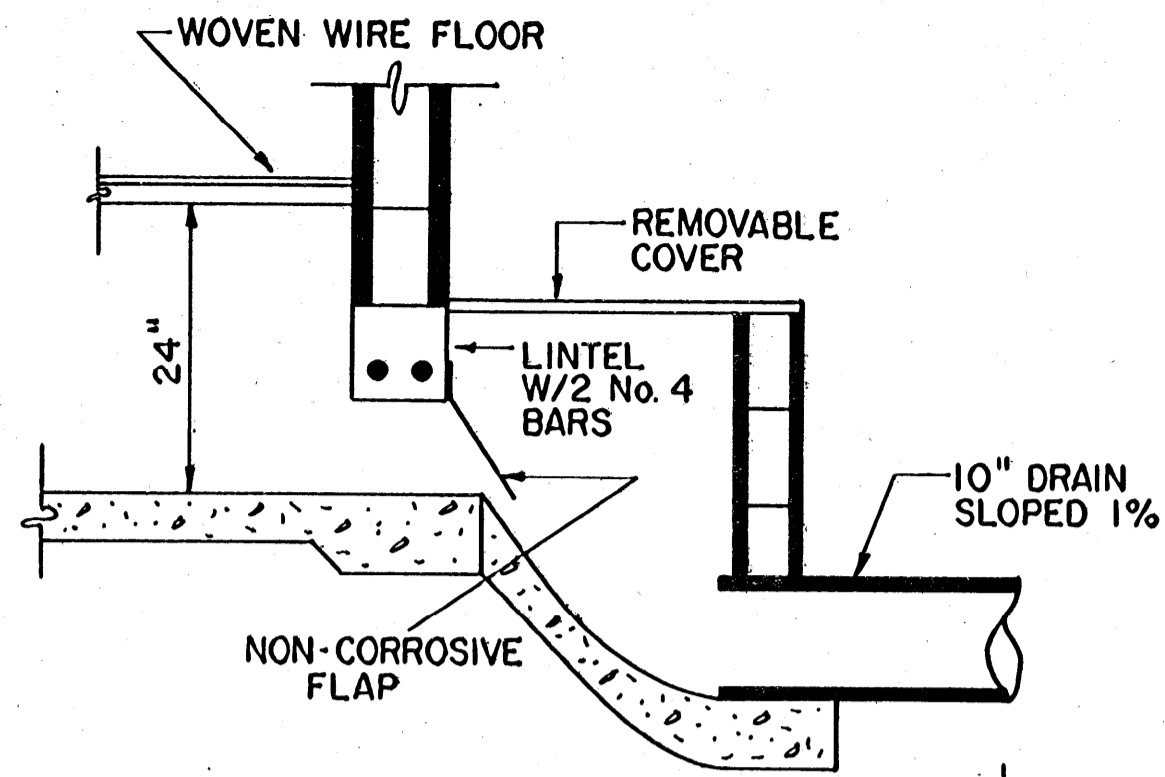


TRUSSES 2'-0" O.C.  
 ROOF LOAD - 20 PSF  
 CEILING LOAD - 5 PSF  
 2 x 4 PURLINS, 24" O.C.



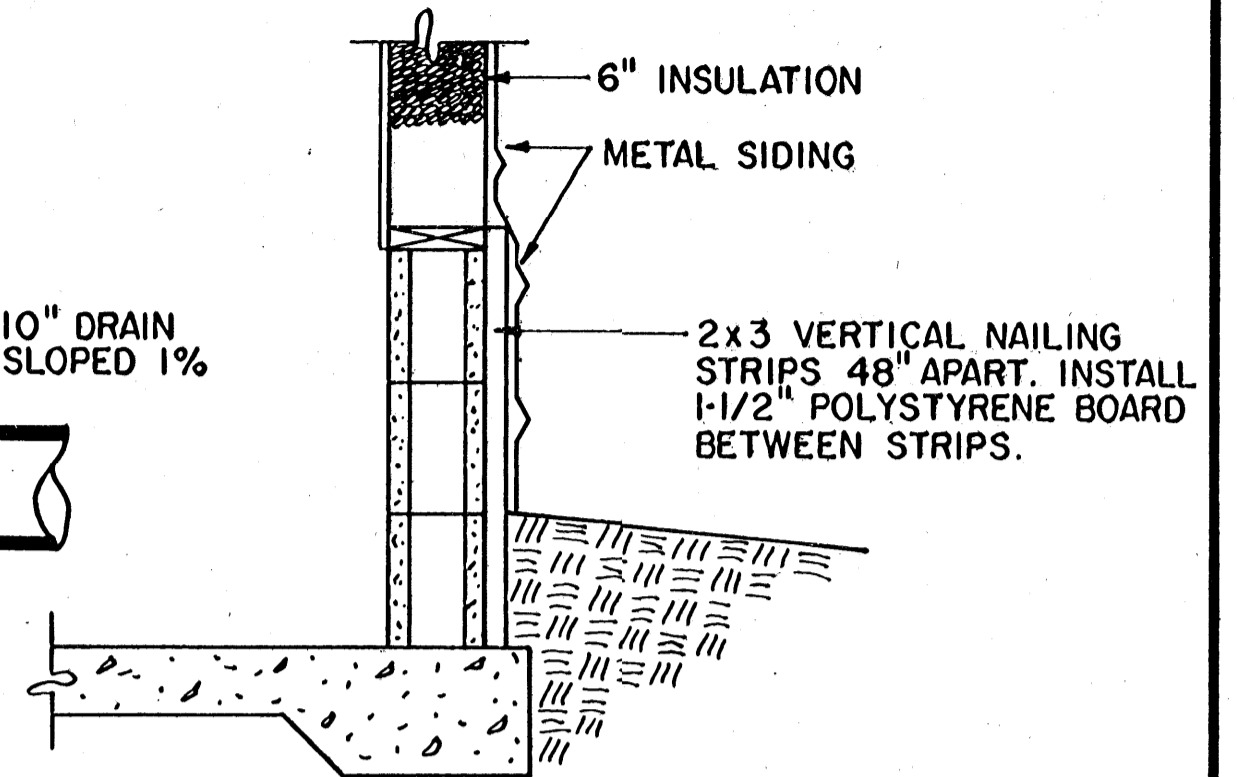
**TYPICAL SECTION**

SCALE: 1/2" = 1'-0"  
 12' 6" 0' 1' 2'



**PIT DRAIN DETAIL**

SCALE: 3/4" = 1'-0"  
 12' 6" 0' 1'

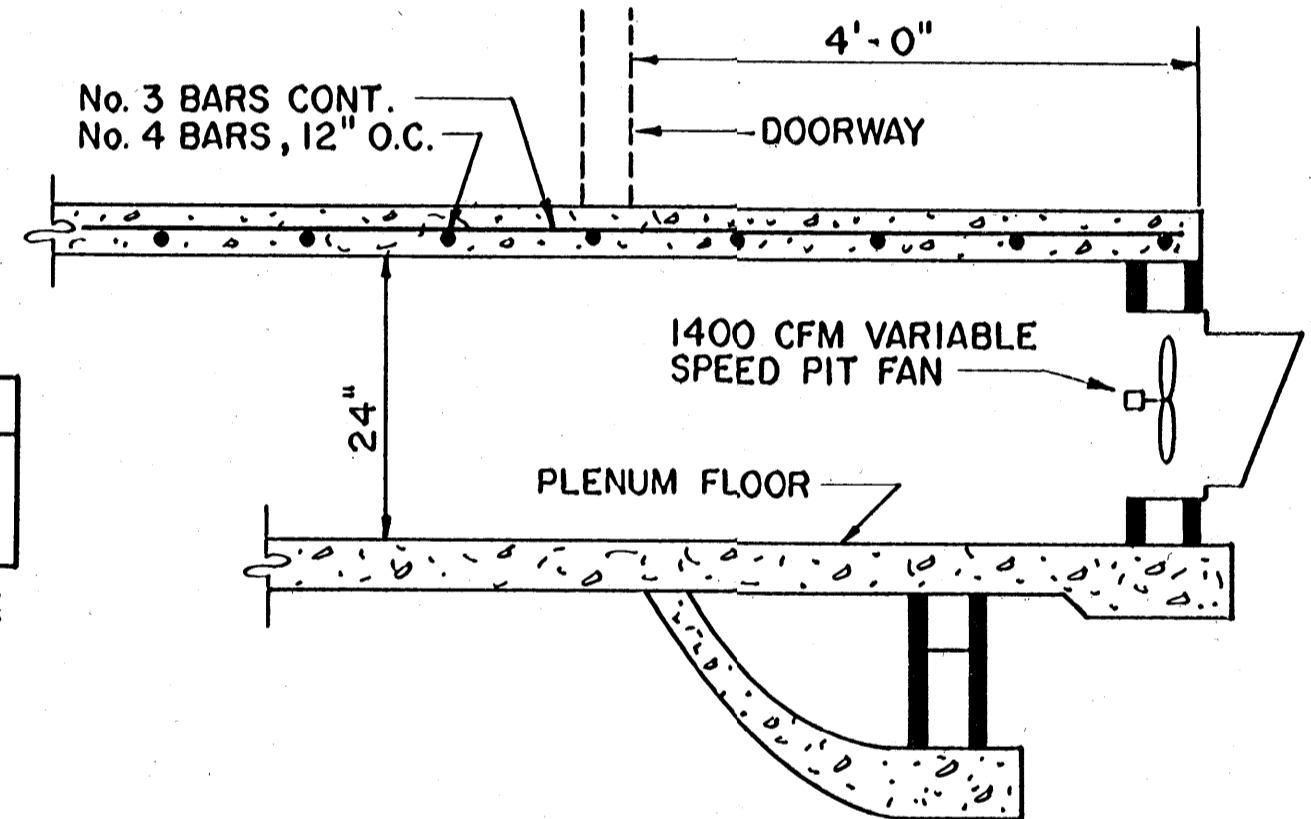


**WALL INSULATION DETAIL**

NOT TO SCALE

SPACE REQUIREMENTS	
TO 40 lb	2 SQ. FT./PIG
40 TO 50 lb	3 SQ. FT./PIG
50 TO 60 lb	4 SQ. FT./PIG

CONSTRUCT NURSERY ON 2% SLOPE

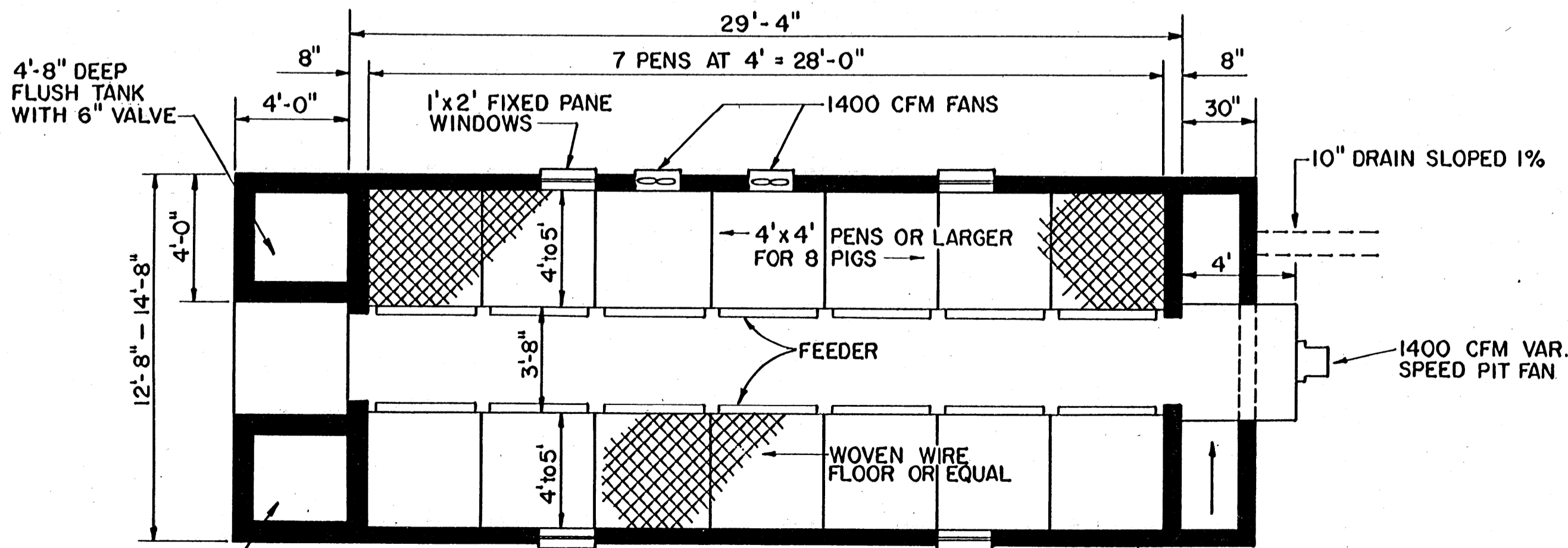


**SECTION THRU PLENUM**

SCALE: 3/4" = 1'-0"  
 12' 6" 0' 1'

**PIT VENTILATION NOTES**

1. PIT FAN IS 1400 CFM VARIABLE SPEED CONTROLLED WITH A MANUAL MODULATOR.
2. PROVIDE 5 OPENINGS ON EACH SIDE OF PLENUM, SPACED 5'-4" O.C.
3. EACH OPENING 4" x 6-1/4".



**FLOOR PLAN**

SCALE: 1/4" = 1'-0"  
 12' 0' 1' 2' 4'

COOPERATIVE EXTENSION SERVICE  
 AGRICULTURE AND HOME ECONOMICS  
 STATE OF MISSISSIPPI  
 MISSISSIPPI STATE UNIVERSITY  
 AND  
 UNITED STATES DEPARTMENT OF AGRICULTURE COOPERATING

**PIG NURSERY, LITTER SIZED PENS**

NC '85	6370	SHEET 1 OF 1
--------	------	--------------