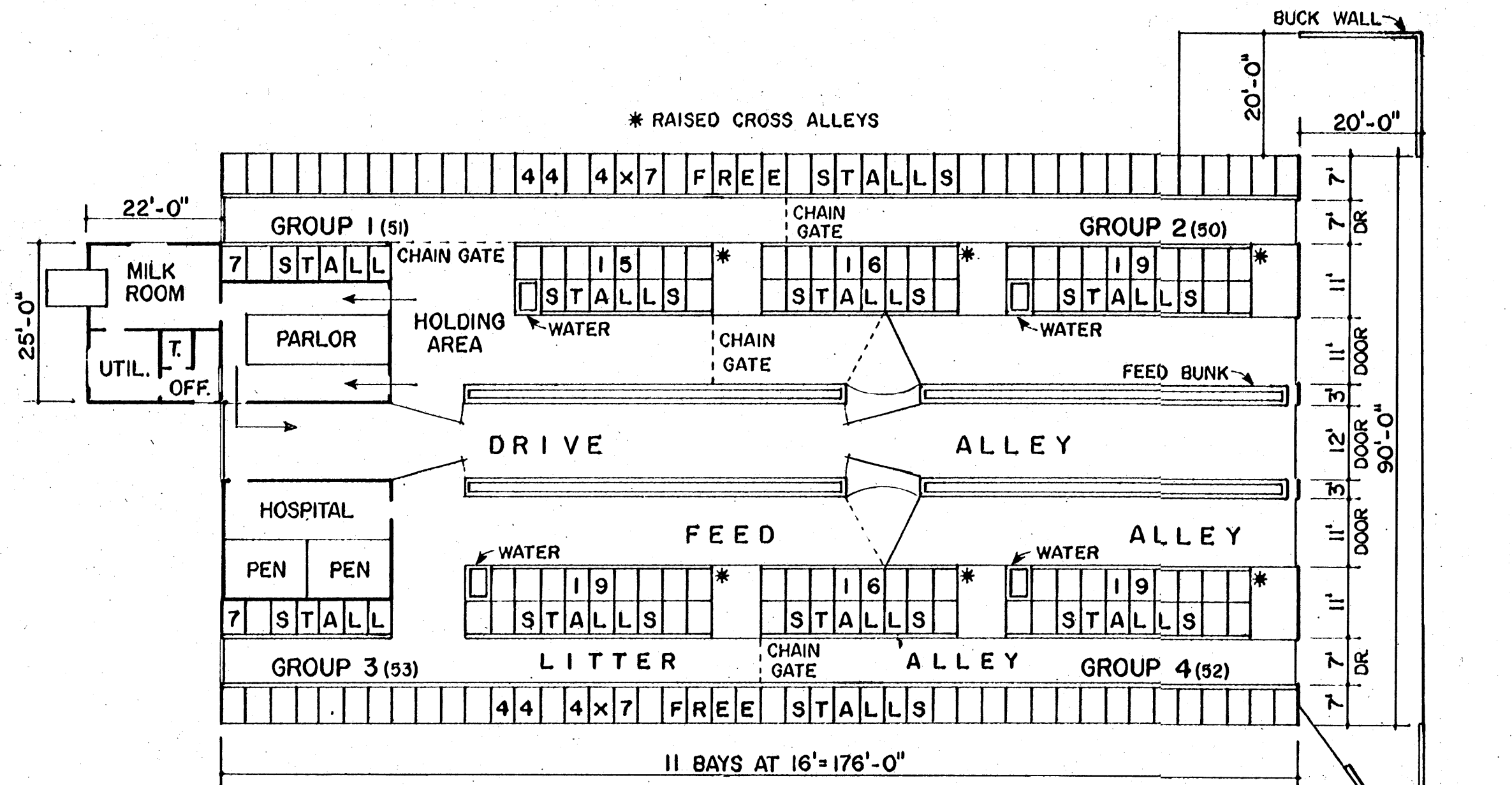
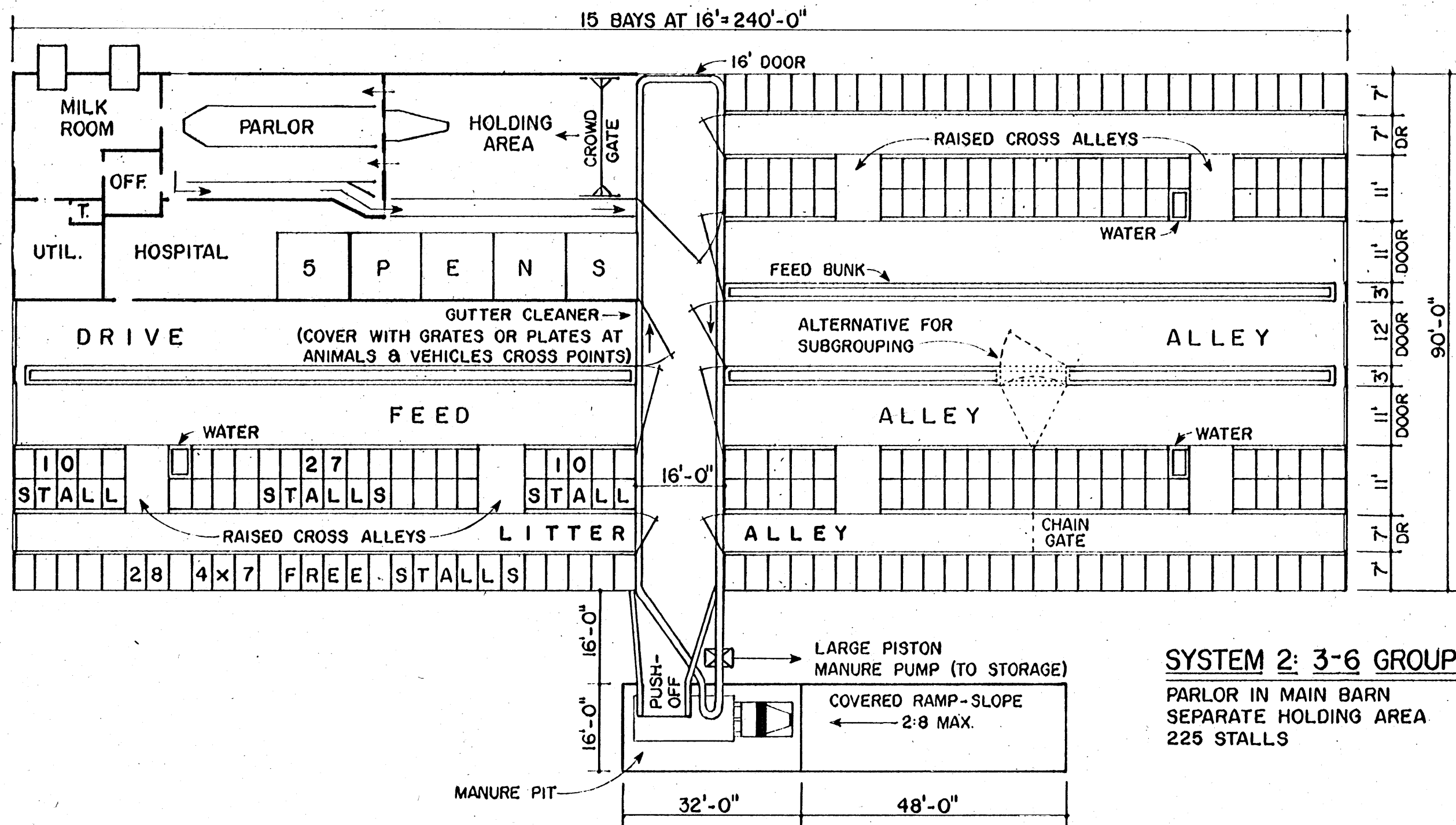


THIS SET OF PLANS SHOWS THREE ARRANGEMENTS FOR USING FREE STALL HOUSING IN A CONFINEMENT SYSTEM. YOUR LOCAL MILK MARKET AUTHORITIES SHOULD BE CONSULTED FOR COMPLIANCE WITH SANITARY REGULATIONS BEFORE BEGINNING CONSTRUCTION.



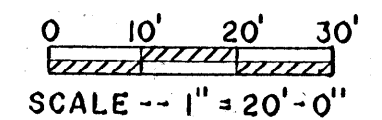
SYSTEM 1: 4 GROUPS

PARLOR IN MAIN BARN NO SEPARATE HOLDING AREA
206 STALLS

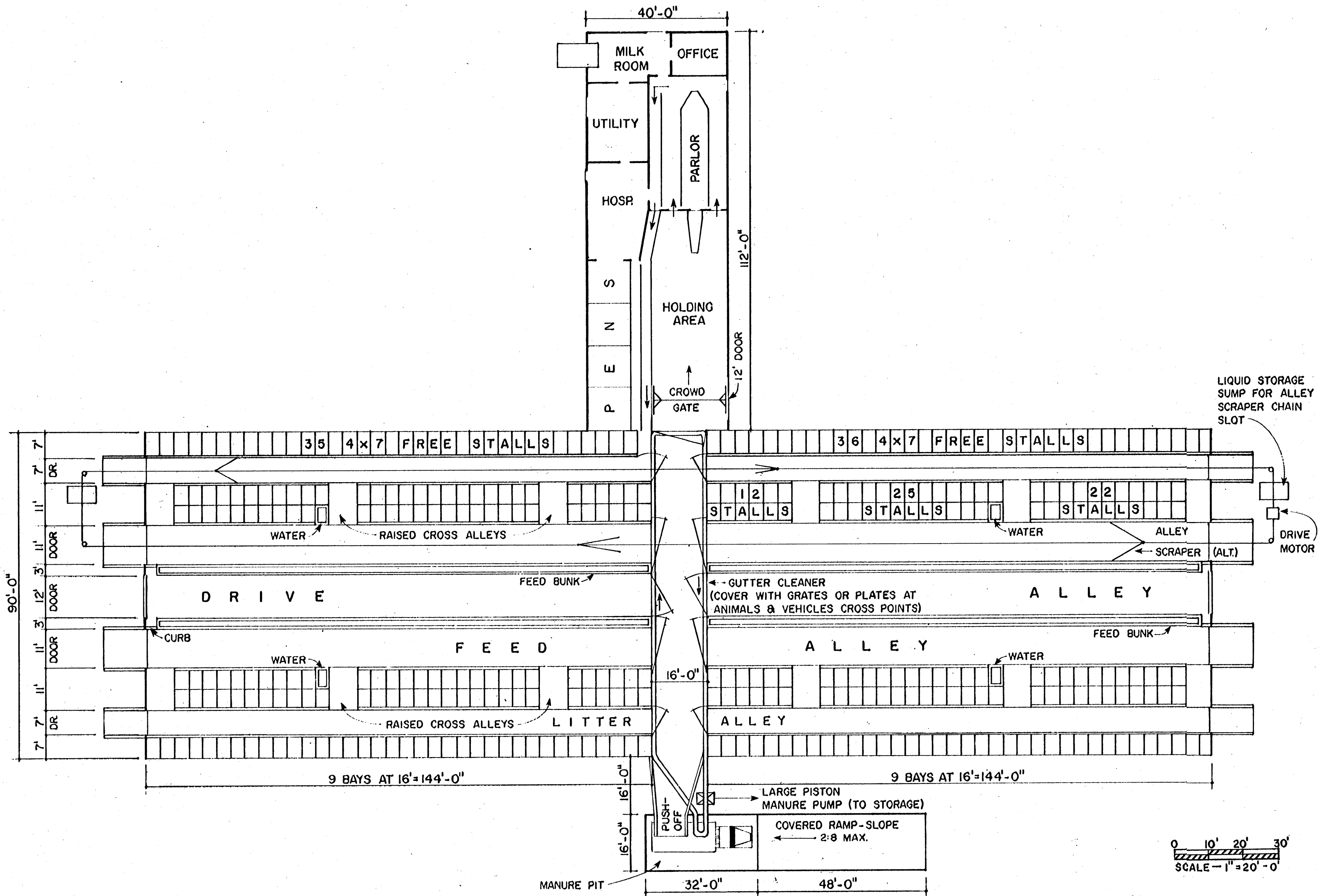


SYSTEM 2: 3-6 GROUPS

PARLOR IN MAIN BARN SEPARATE HOLDING AREA
225 STALLS



COOPERATIVE EXTENSION WORK IN AGRICULTURE AND HOME ECONOMICS
STATE OF MISSISSIPPI
MISSISSIPPI STATE UNIVERSITY
AND
UNITED STATES DEPARTMENT OF AGRICULTURE COOPERATING
6-ROW HIGH DENSITY FREE STALL DAIRY HOUSING
MASS '82 EX. 6339 SHEET 1 OF 4

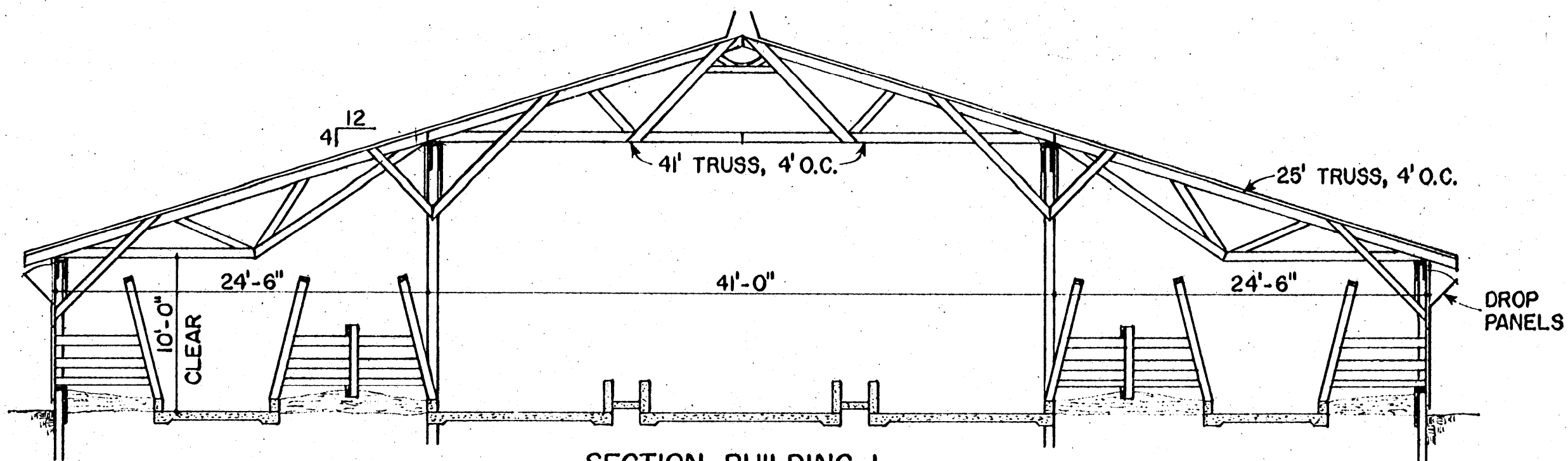


SYSTEM 3: 4-8 GROUPS
 SEPARATE PARLOR AND HOLDING
 AREA 379 STALLS

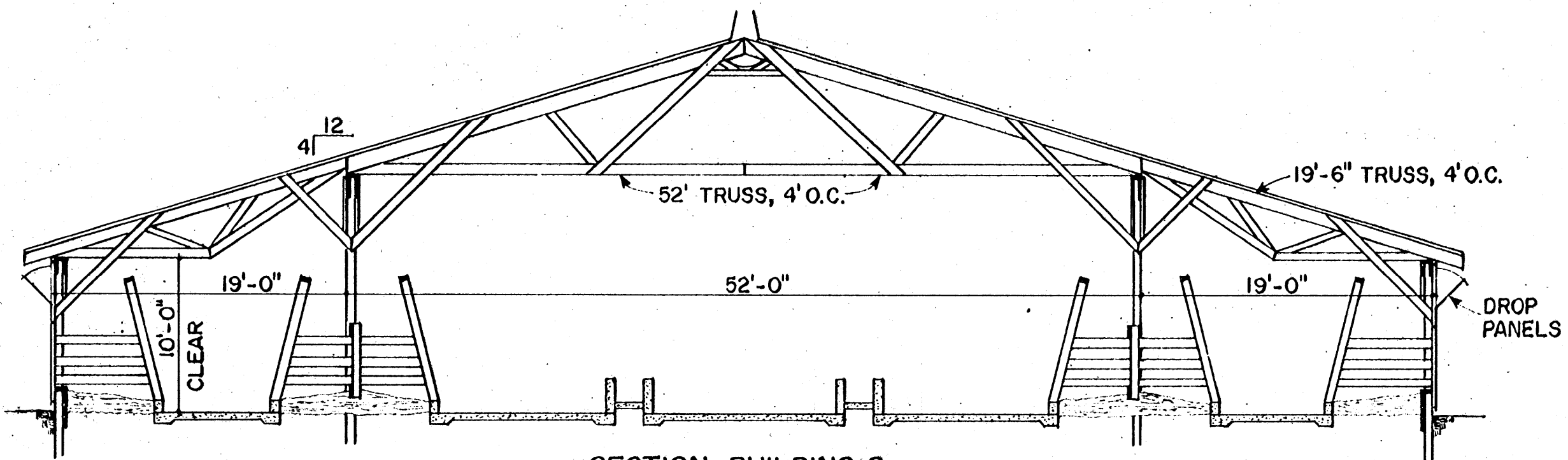
COOPERATIVE EXTENSION WORK IN
 AGRICULTURE AND HOME ECONOMICS
 STATE OF MISSISSIPPI
 MISSISSIPPI STATE UNIVERSITY
 AND
 UNITED STATES DEPARTMENT OF AGRICULTURE COOPERATING

**6-ROW HIGH DENSITY
 FREE STALL DAIRY HOUSING**

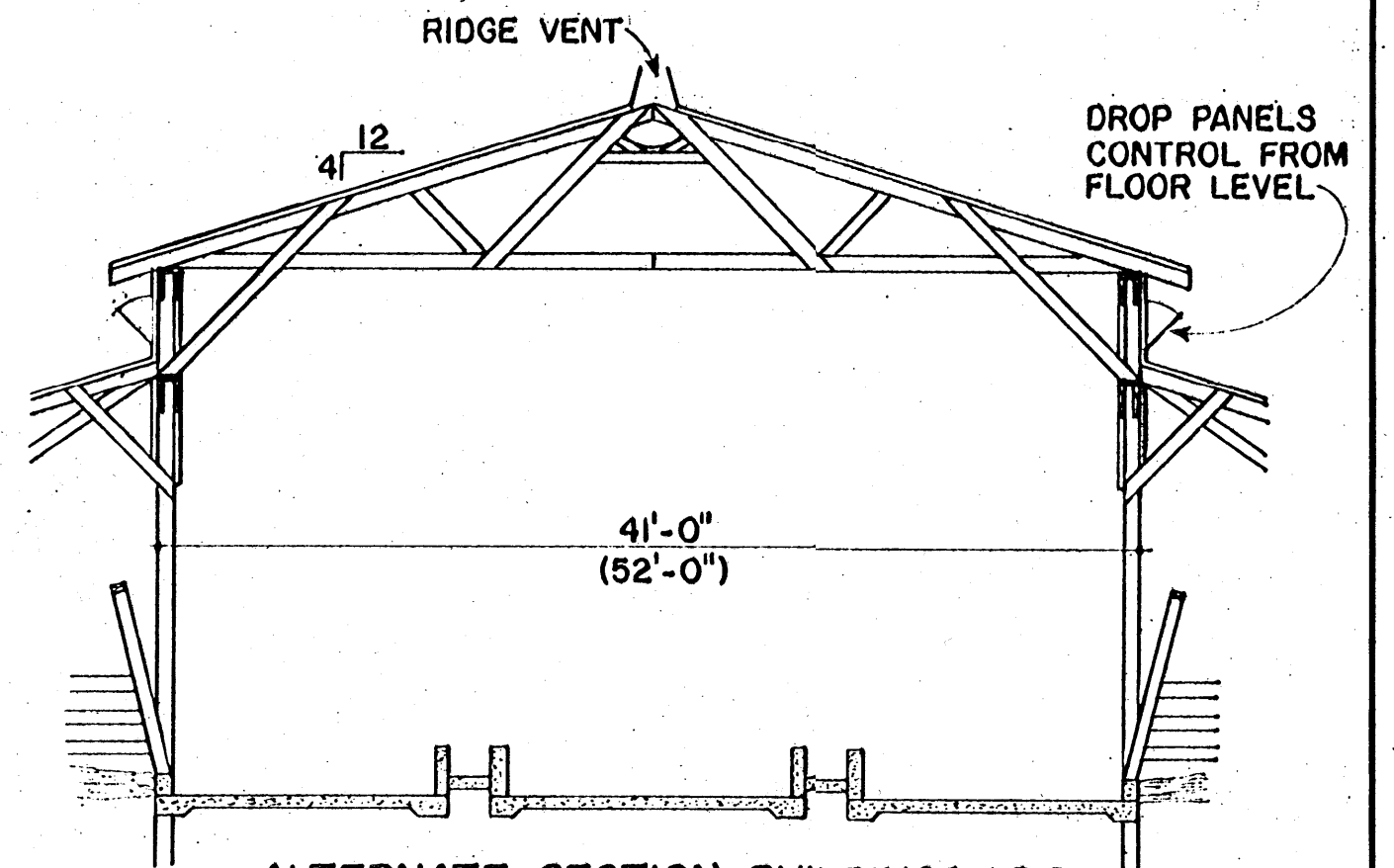
MASS '82	EX. 6339	SHEET 2 OF 4
----------	----------	--------------



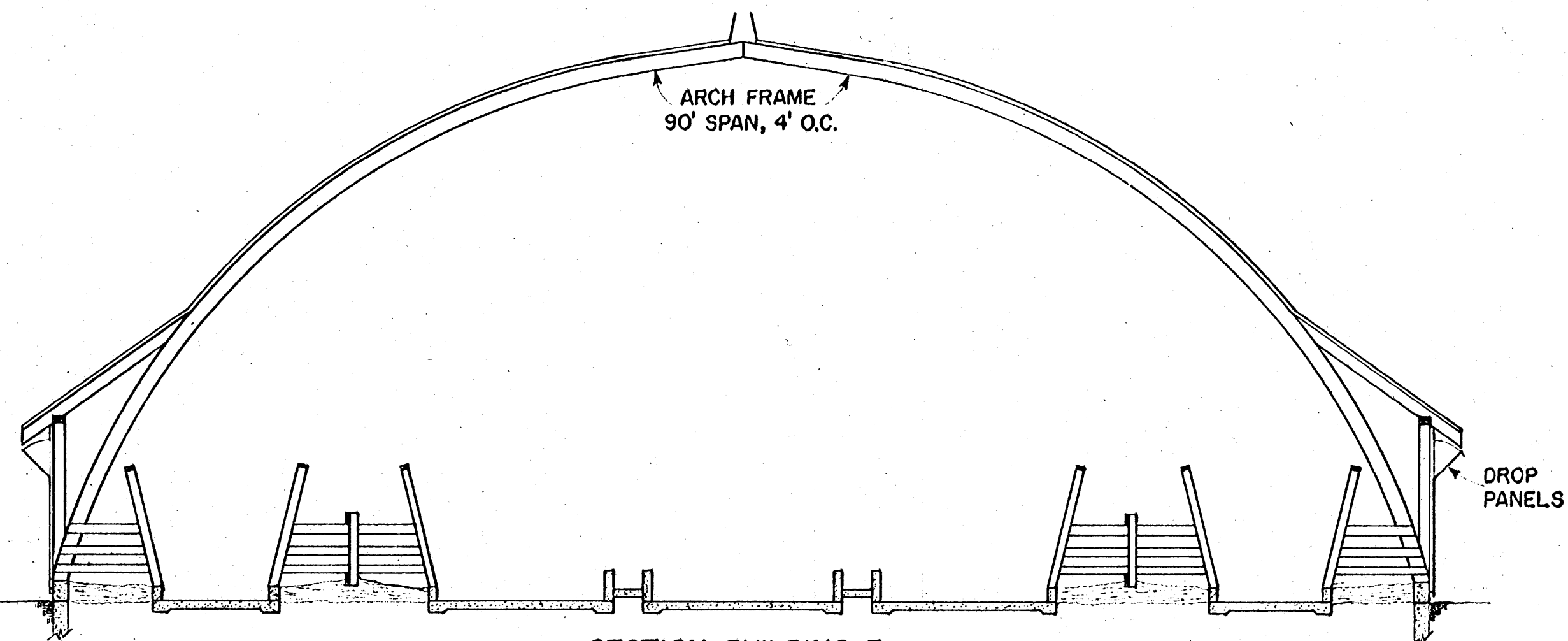
SECTION-BUILDING 1
4' CENTER TRUSS



SECTION-BUILDING 2
52' CENTER TRUSS



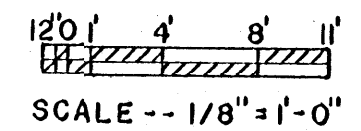
ALTERNATE SECTION-BUILDINGS 1&2
RAISED CENTER TRUSS FOR IMPROVED
LIGHTING AND VENTILATION



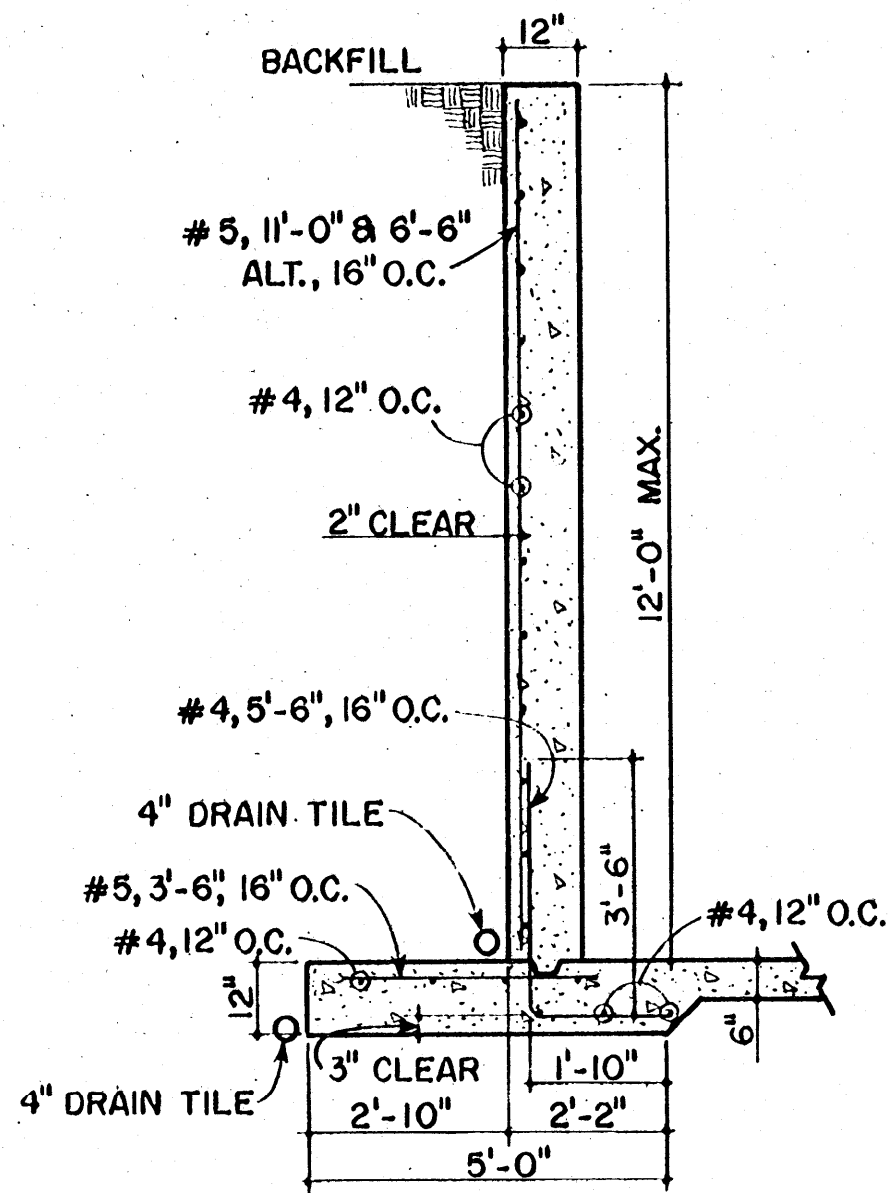
SECTION-BUILDING 3
ARCH ROOF

NOTE

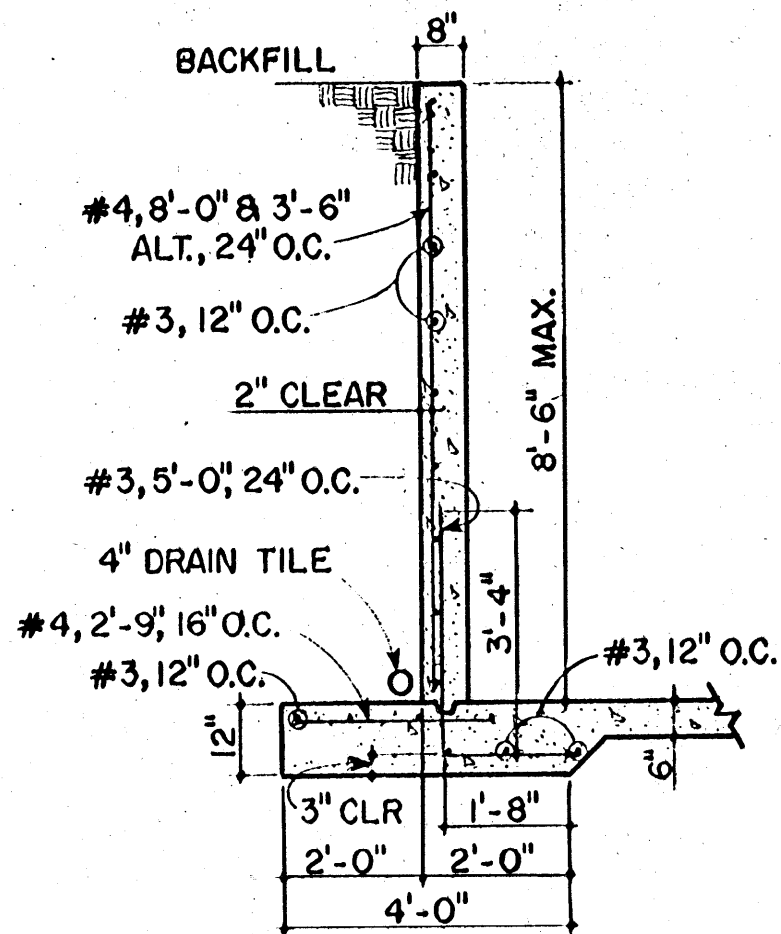
ROOF FRAMING IS ONLY SHOWN TO PROVIDE CONCEPTS OF SOME ALTERNATIVE ROOF SYSTEMS. TRUSSES WILL NEED TO BE DESIGNED TO MEET LOCAL SNOW AND WIND LOAD CONDITIONS. ROOF LUMBER SIZES SHOULD NOT BE SCALED FROM DRAWING.



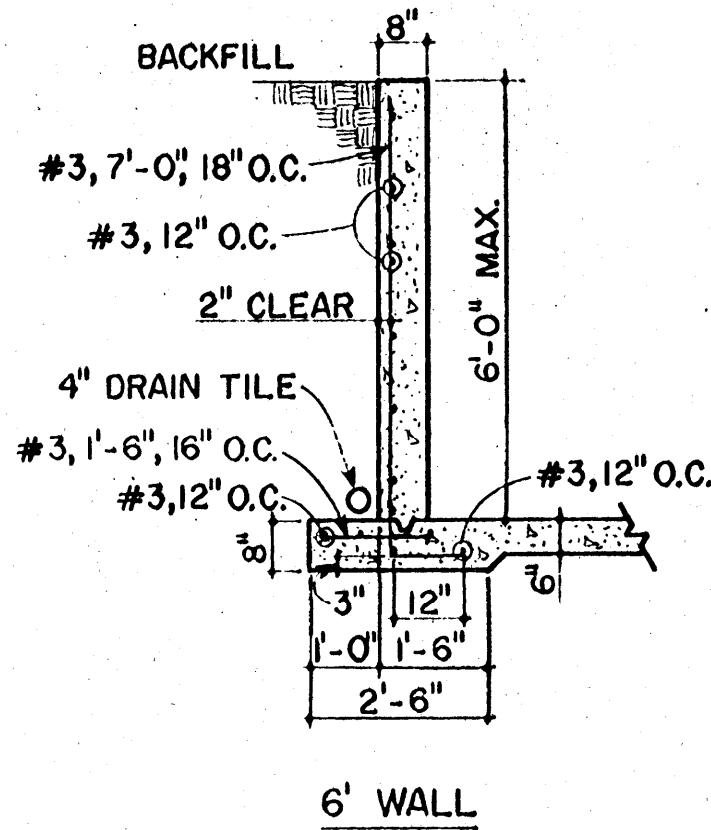
COOPERATIVE EXTENSION WORK IN AGRICULTURE AND HOME ECONOMICS STATE OF MISSISSIPPI MISSISSIPPI STATE UNIVERSITY <small>AND UNITED STATES DEPARTMENT OF AGRICULTURE COOPERATING</small>		
6-ROW HIGH DENSITY FREE STALL DAIRY HOUSING		
MASS'82	EX. 6339	SHEET 3 OF 4



12' WALL



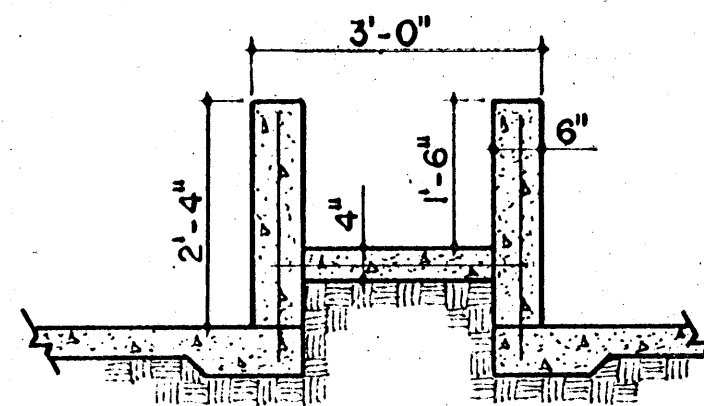
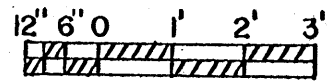
8' WALL



6' WALL

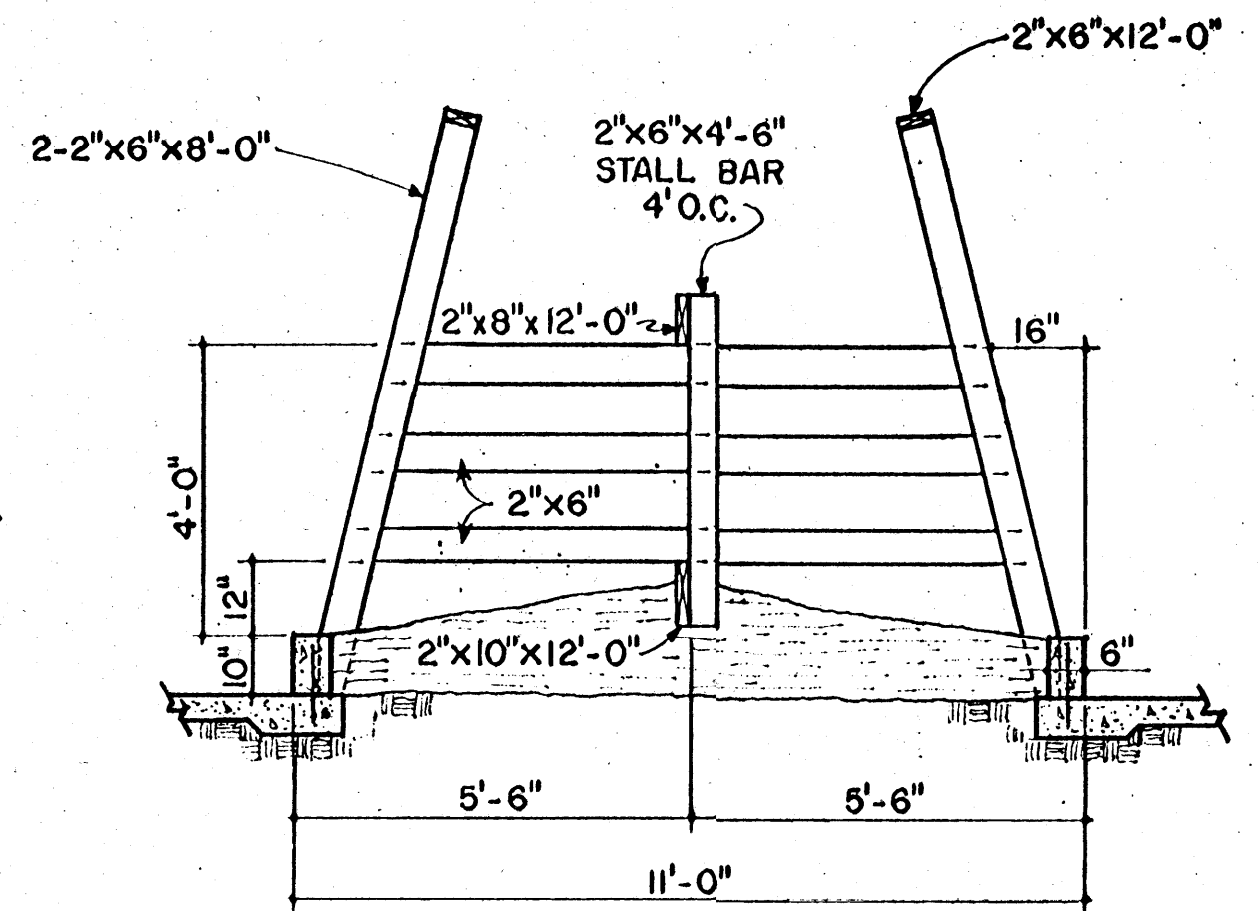
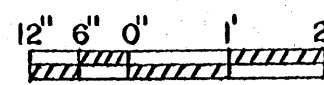
RETAINING WALL CROSS-SECTIONS

SCALE: 3/8"=1'-0"
FOR BELOW-GRADE MANURE PIT



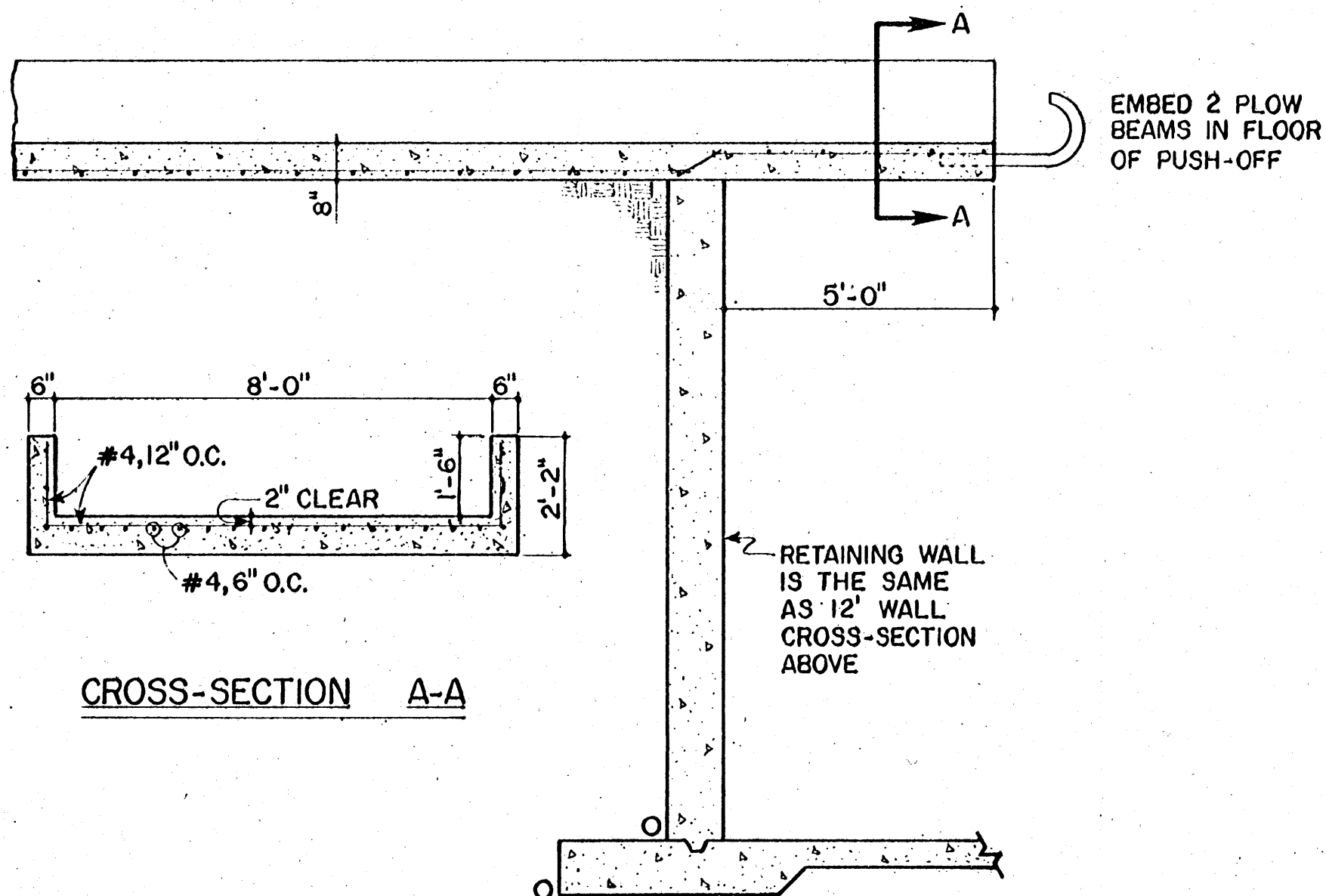
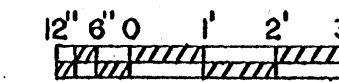
FEED BUNK DETAIL

SCALE: 1/2"=1'-0"



DOUBLE STALL DETAIL

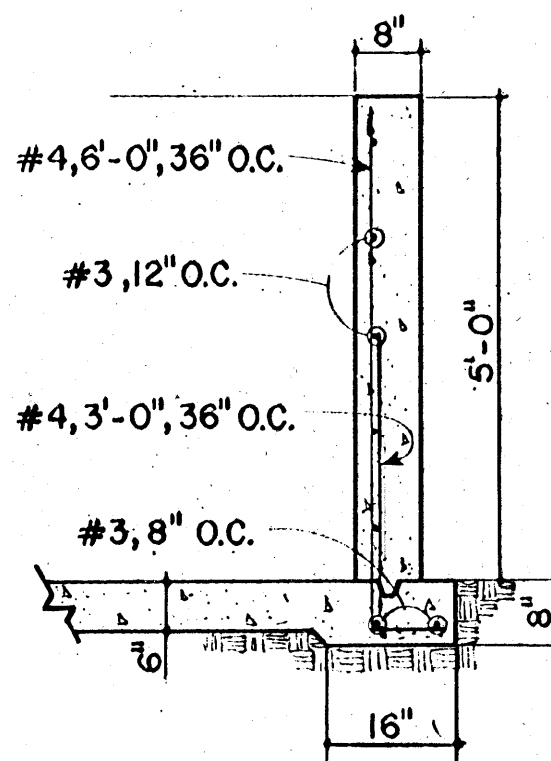
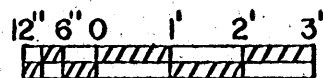
SCALE: 3/8"=1'-0"



CROSS-SECTION A-A

MANURE LIP DETAIL

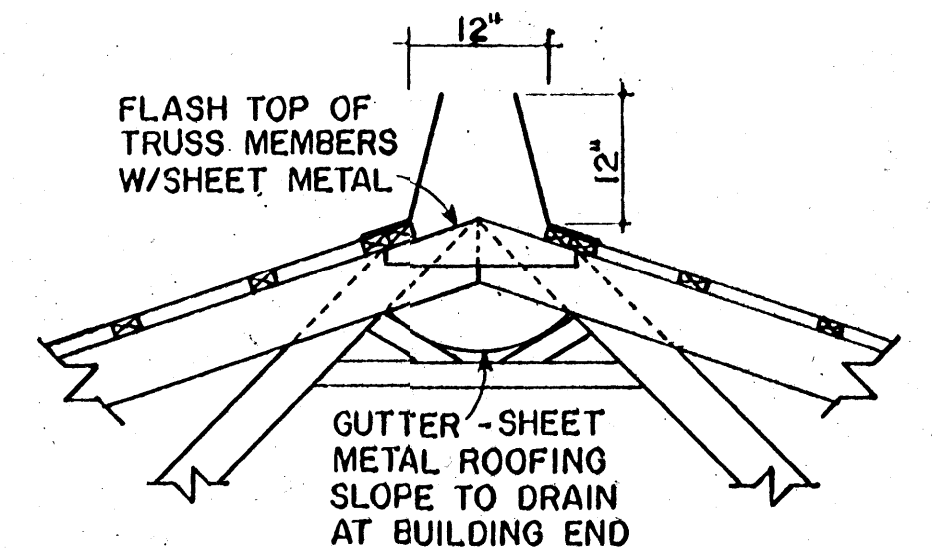
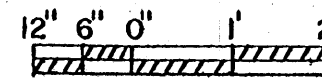
SCALE: 3/8"=1'-0"



BUCK WALL DETAIL

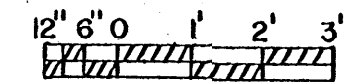
FOR TEMPORARY ABOVE-GRADE MANURE STORAGE AND LOADING

SCALE: 1/2"=1'-0"



RIDGE VENTILATOR

SCALE: 3/8"=1'-0"



COOPERATIVE EXTENSION WORK IN
AGRICULTURE AND HOME ECONOMICS
STATE OF MISSISSIPPI
MISSISSIPPI STATE UNIVERSITY
AND
UNITED STATES DEPARTMENT OF AGRICULTURE COOPERATING

6-ROW HIGH DENSITY
FREE STALL DAIRY HOUSING

MASS '82

EX.6339

SHEET 4 OF 4