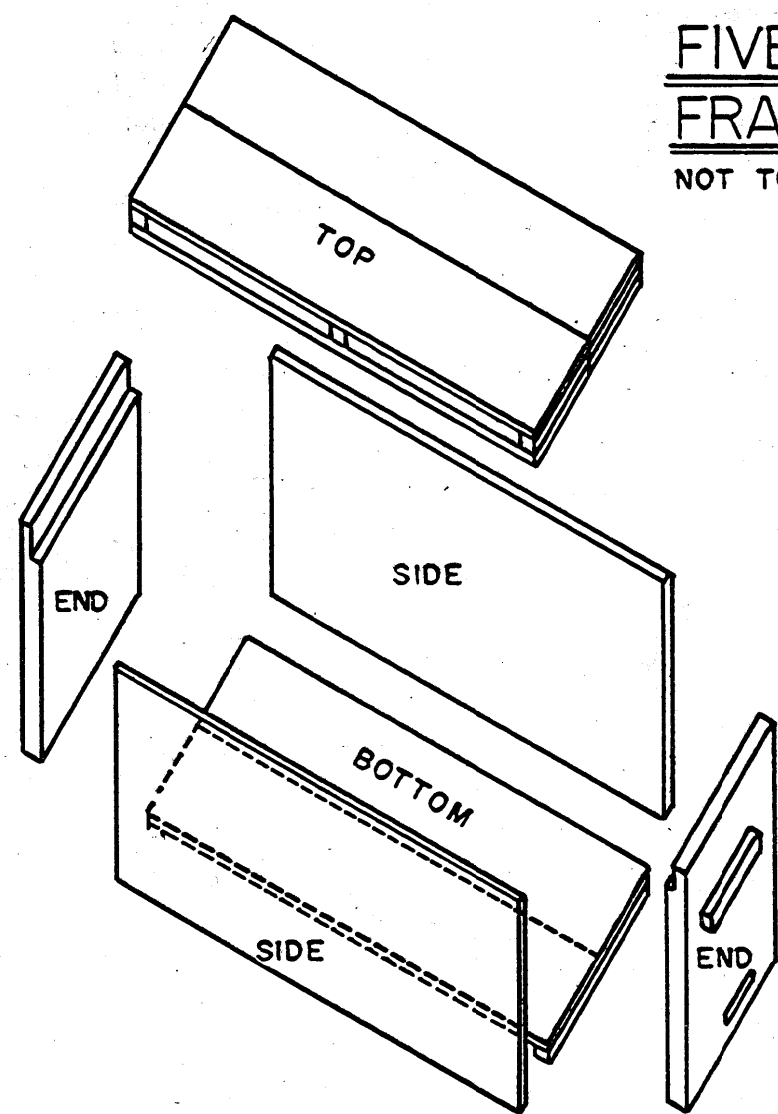
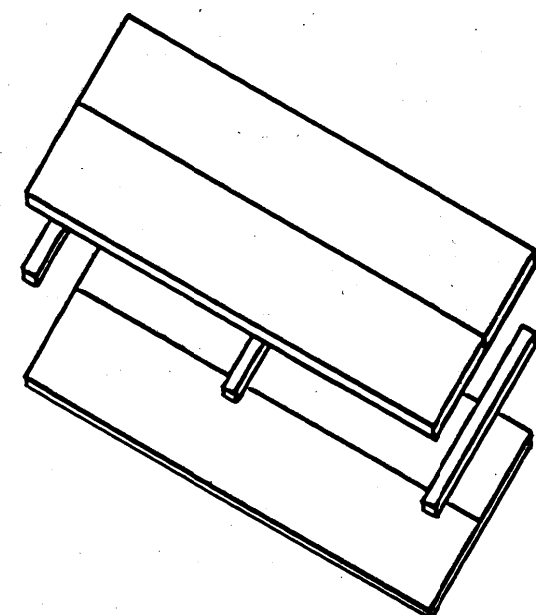


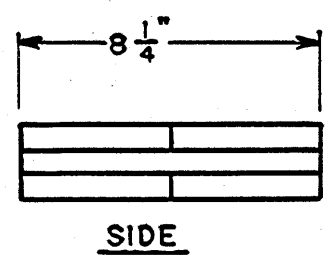
**FIVE DEEP BROOD
FRAME HIVE**
NOT TO SCALE



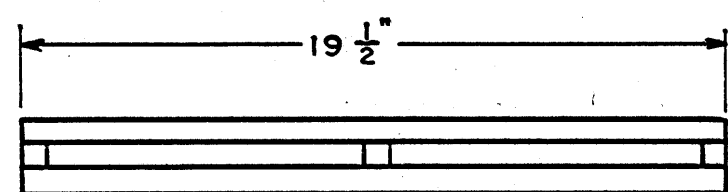
EXPLODED ISOMETRIC VIEW
NOT TO SCALE



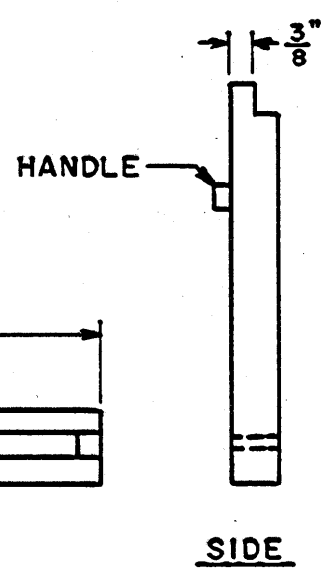
EXPLODED VIEW OF TOP
NOT TO SCALE



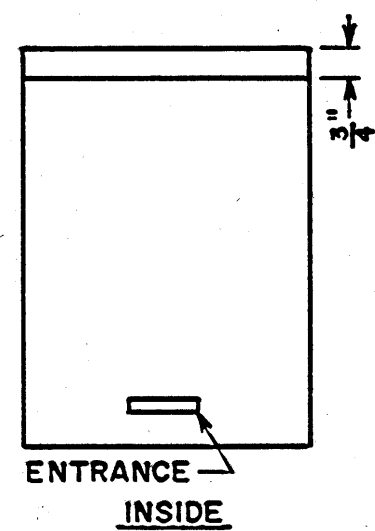
SIDE



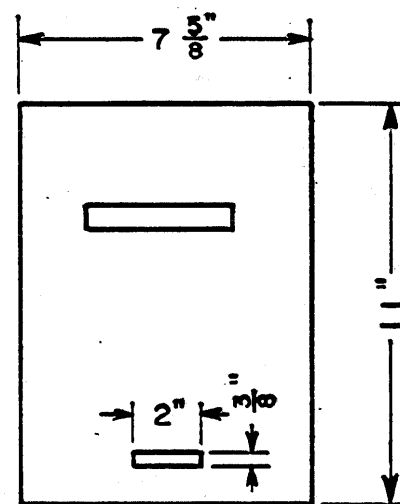
END



SIDE



**ENTRANCE
INSIDE**

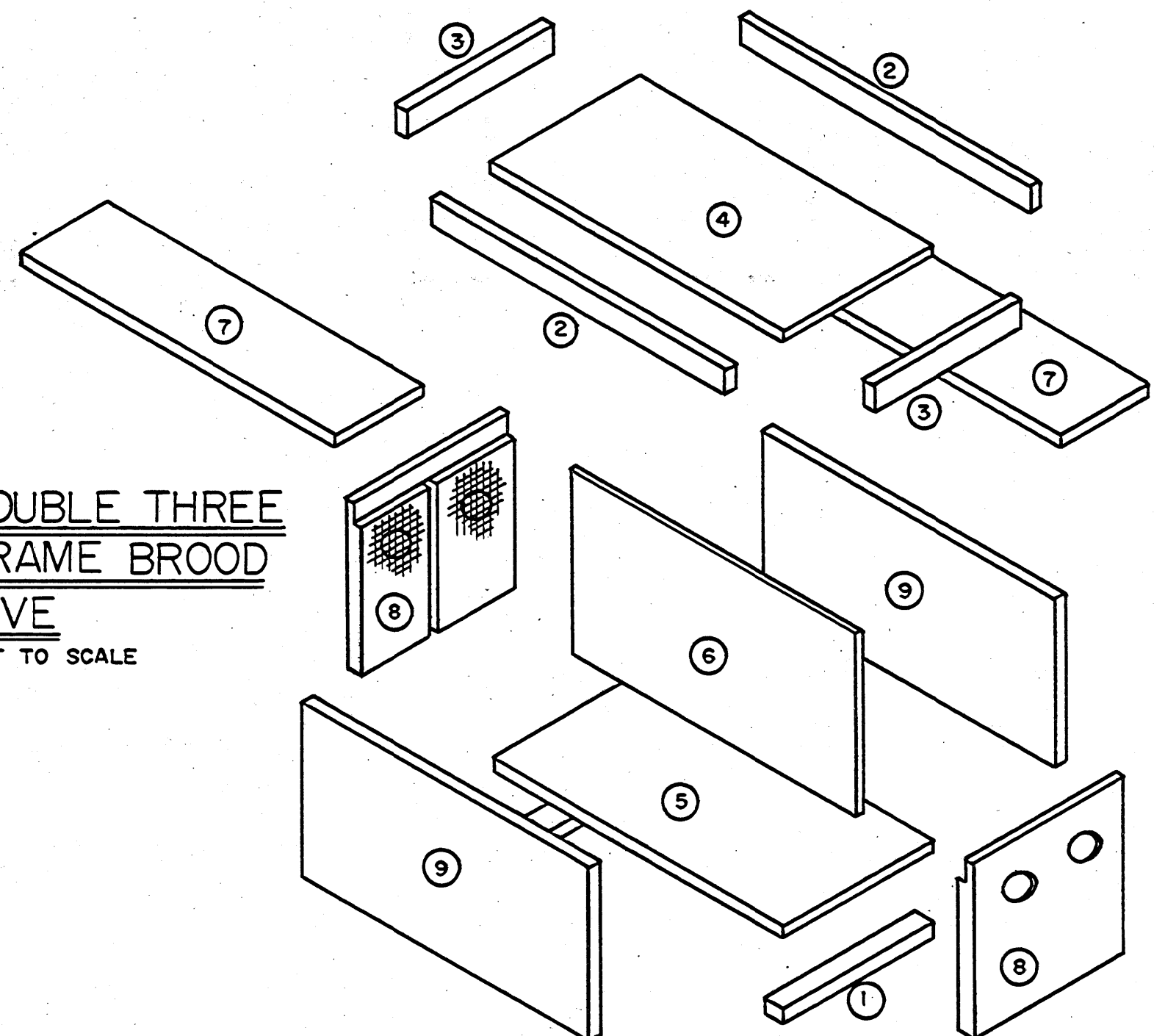


OUTSIDE

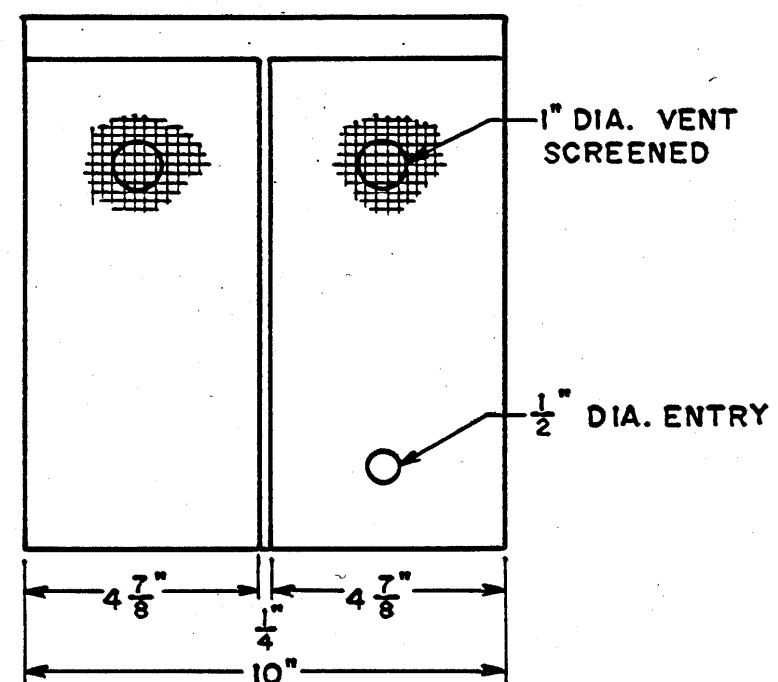
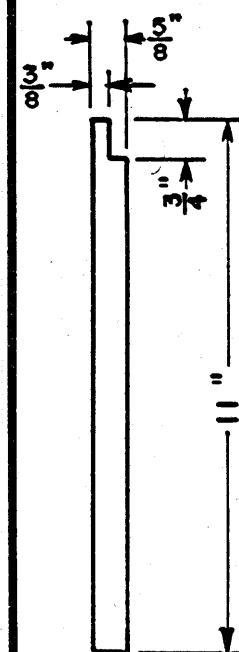
VIEW OF TOP

VIEW OF END

**DOUBLE THREE
FRAME BROOD
HIVE**
NOT TO SCALE



EXPLODED ISOMETRIC VIEW
NOT TO SCALE



PART NO. 8 - END
SCALE: 3" = 1'-0"

NOTE:

- PART NO. 6 AND NO. 7 TO BE REMOVABLE, DO NOT GLUE OR NAIL.
- PARTS NO. 1, 2 AND 3 MADE FROM 1x2 PINE OR CYPRESS.
- PART NO. 6 MADE FROM 1/8" EXT. A-A PLYWOOD.
- ALL OTHER PARTS OF 5/8" EXT. A-A PLYWOOD.
- TREAT ALL PARTS WITH PENTA SOLUTION.

NOTE: BASED ON UNIV. OF FLA. PLAN NOS. 907 AND 924-R

PART NO.	LOCATION	SIZE
1	BOTTOM SUPPORT	1 1/2" x 10" x 3/4"
2	TOP RAIL	1 1/2" x 19 3/4" x 3/4"
3	TOP RAIL	1 1/2" x 12 3/4" x 3/4"
4	TOP	11 1/2" x 19 3/4" x 5/8"
5	BOTTOM	10" x 18 1/2" x 5/8"
6	DIVIDER	10 3/8" x 18 7/8" x 1/8"
7	INTER-TOP	4 7/8" x 18 1/2" x 5/8"
9	SIDE	11" x 19 3/4" x 5/8"

0" 1" 2" 3" 6" 9" 1'
SCALE: 3" = 1'-0" UNLESS OTHERWISE NOTED

COOPERATIVE EXTENSION WORK IN
AGRICULTURE AND HOME ECONOMICS
STATE OF MISSISSIPPI
~~MISSISSIPPI STATE UNIVERSITY~~
AND
UNITED STATES DEPARTMENT OF AGRICULTURE COOPERATING

5 8 6 DEEP BROOD HIVE

EX. 6327 SHEET 1 OF 1