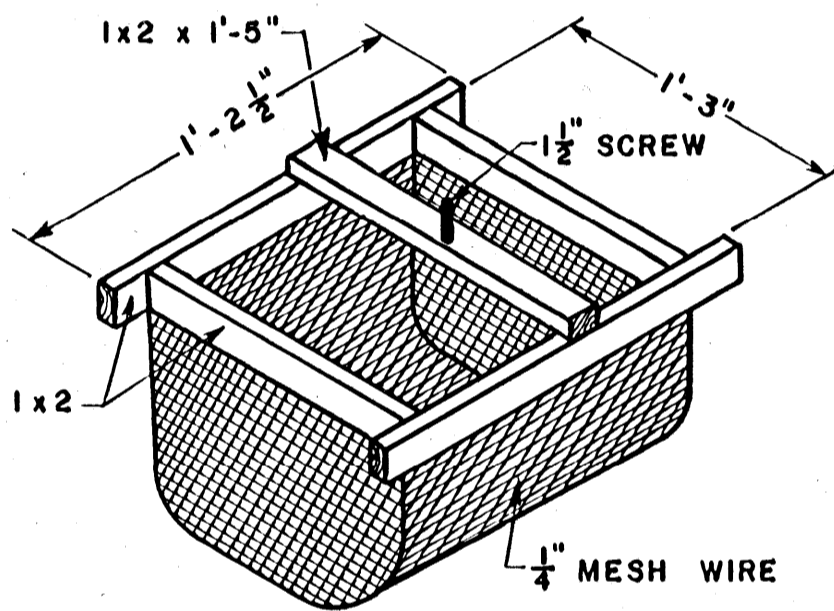
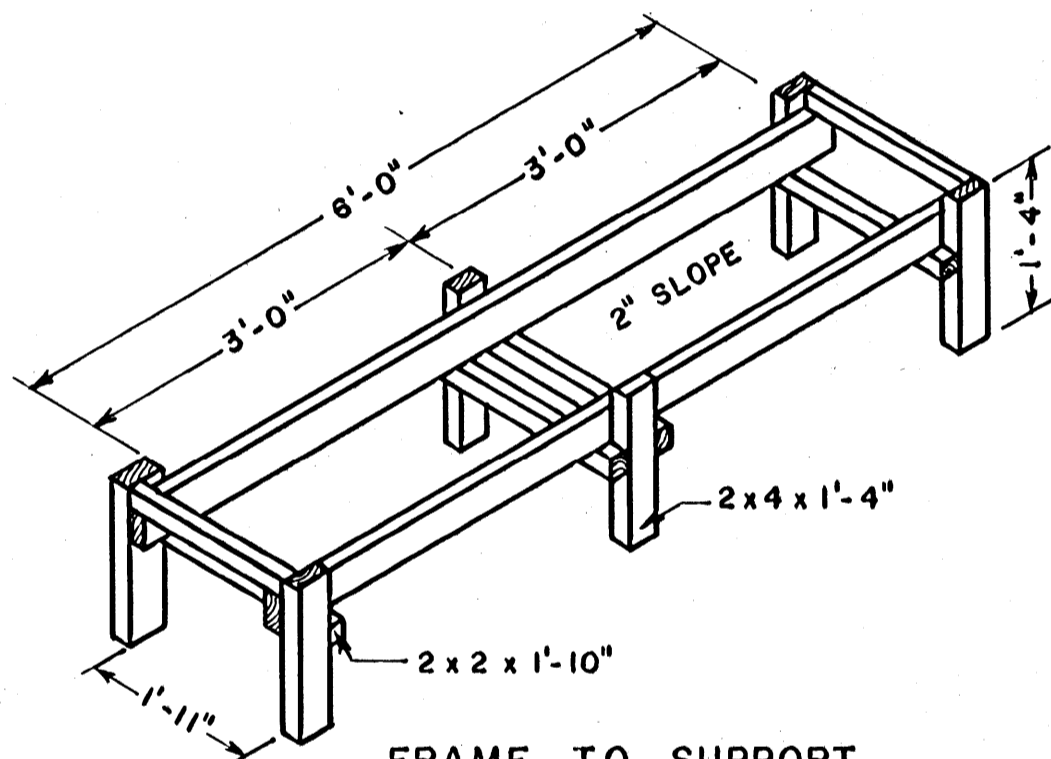


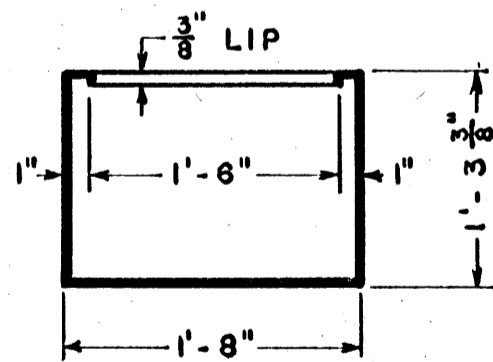
HONEY UNCAPPING TANK



BASKET TO COLLECT WAX CAPPINGS



FRAME TO SUPPORT UNCAPPING TANK



SECTION THRU CONSTRUCTED TANK

NOTE:
THE UNCAPPING TANK IS USED TO OPEN THE COMBS BEFORE HONEY EXTRACTING. TWO BASKETS MAY BE USED LEAVING APPROXIMATELY 42" TO HANG UNCAPPED COMBS.

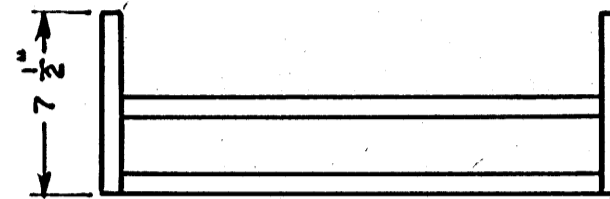
MATERIALS:

- FRAME** 2 x 2 x 6'-0" PINE
2 x 4 x 26'-0" PINE
1 LB. 10d NAILS
- BASKET** 1 x 2 x 8'-0" PINE
16 1/2" x 5'-0" x 1/4" MESH HDW. CLOTH
- TANK** 4'-2 3/4" 8'-6 3/4"
26 GA. GALVINIZED

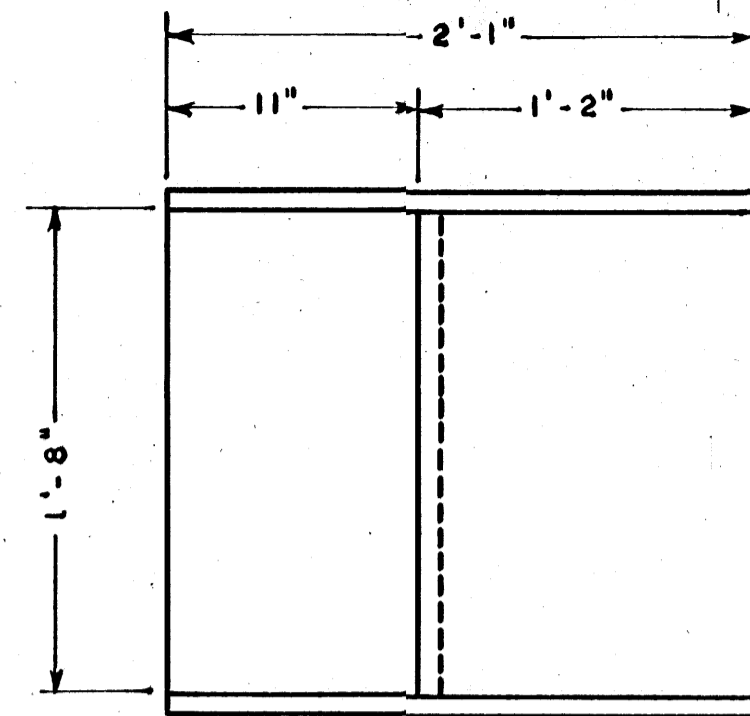
HONEYCOMB UNCAPPING TANK

SCALE: NONE

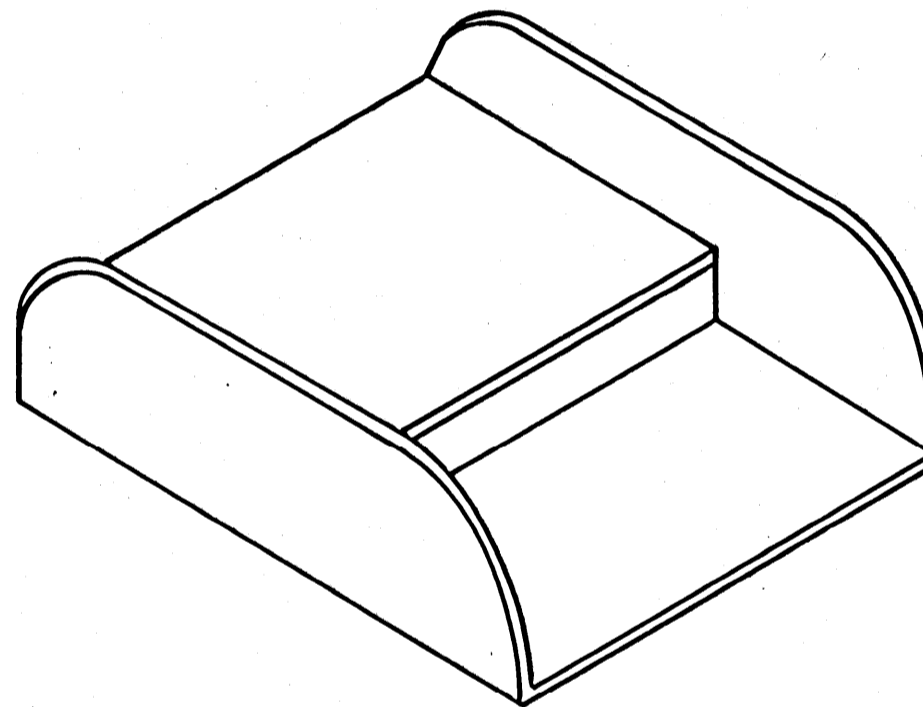
BASED ON FLA. PLAN NO. 928



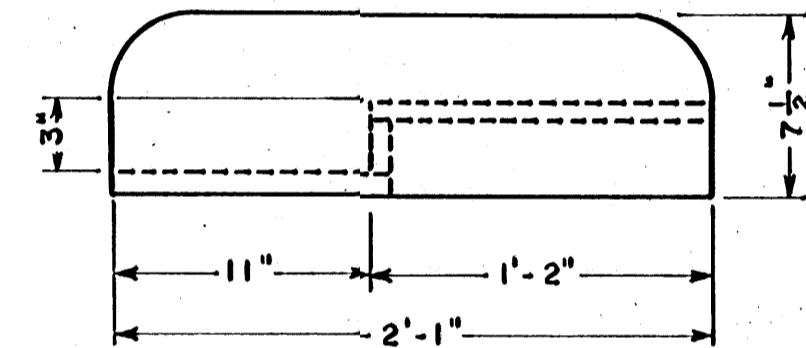
END VIEW



TOP VIEW



ISOMETRIC VIEW



SIDE VIEW

NOTE:
FINISHED UNIT SHOULD BE PAINTED WITH PAINT APPROVED FOR USE IN CONTACT WITH FOOD.

SUPER DUMPING BOARD

SCALE: NONE

BASED ON FLA. PLAN NO. 927

COOPERATIVE EXTENSION WORK IN
AGRICULTURE AND HOME ECONOMICS
STATE OF MISSISSIPPI
MISSISSIPPI STATE UNIVERSITY
AND
UNITED STATES DEPARTMENT OF AGRICULTURE COOPERATING

HONEYCOMB UNCAPPING TANK AND
SUPER DUMPING BOARD

USDA '80	EX. 6325	SHEET 1 OF 1
----------	----------	--------------