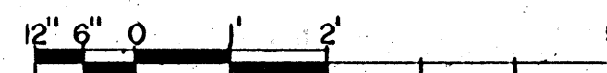


MENTION OF A TRADE NAME DOES NOT CONSTITUTE A GUARANTEE OR WARRANTY OF THE PRODUCT BY THE U.S. DEPARTMENT OF AGRICULTURE OR AN ENDORSEMENT BY THE DEPARTMENT OVER OTHER PRODUCTS NOT MENTIONED

CONSTRUCTION DETAILS

SCALE 1/2" = 1'-0"

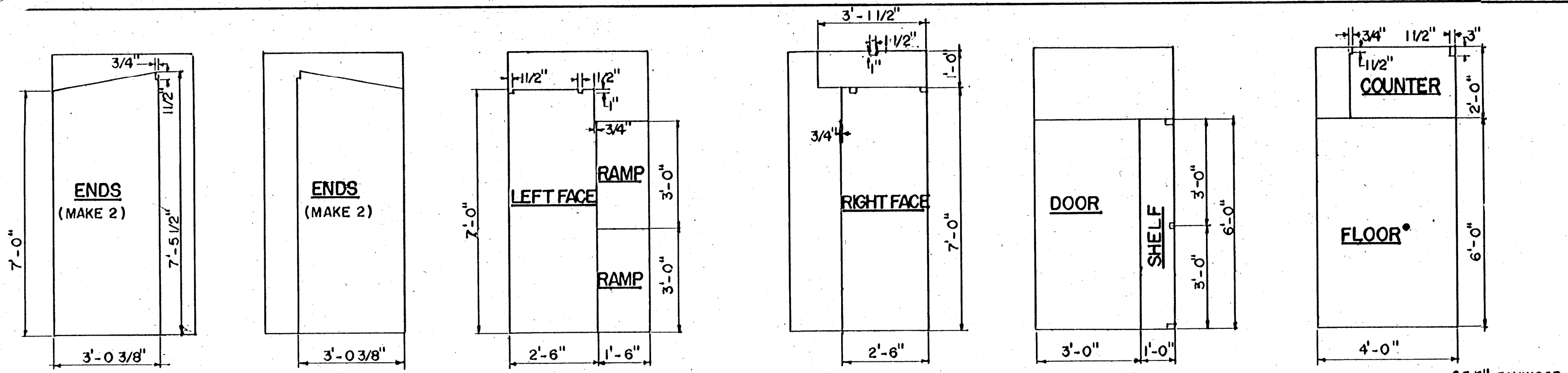


BASED ON: AMERICAN PLYWOOD ASSOCIATION PLAN (SAME TITLE)

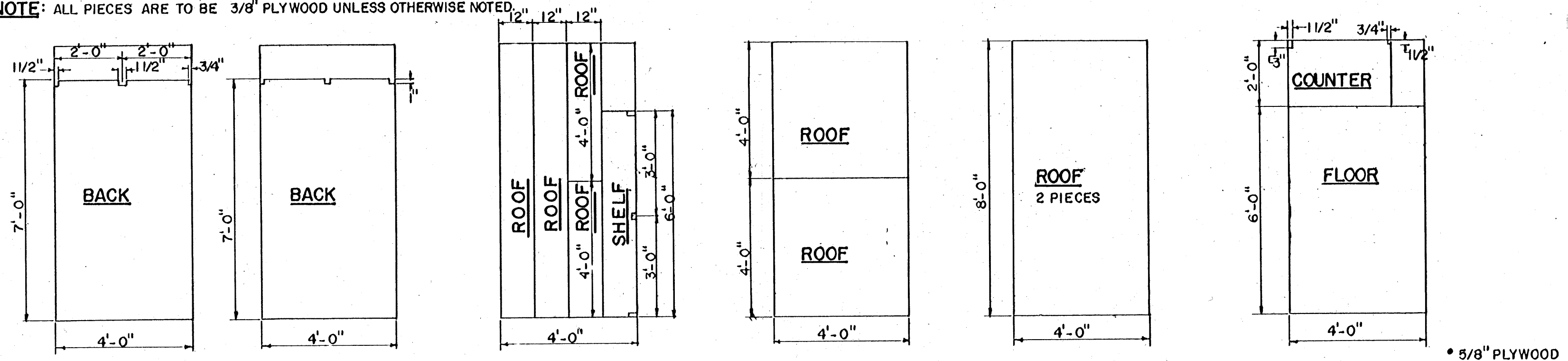
COOPERATIVE EXTENSION WORK IN
 AGRICULTURE AND HOME ECONOMICS
 STATE OF MISSISSIPPI
 MISSISSIPPI STATE UNIVERSITY
 AND
 UNITED STATES DEPARTMENT OF AGRICULTURE COOPERATING

OUTDOOR GARDEN STORAGE

APA '77	6284	SHEET 1 OF 3
---------	------	--------------



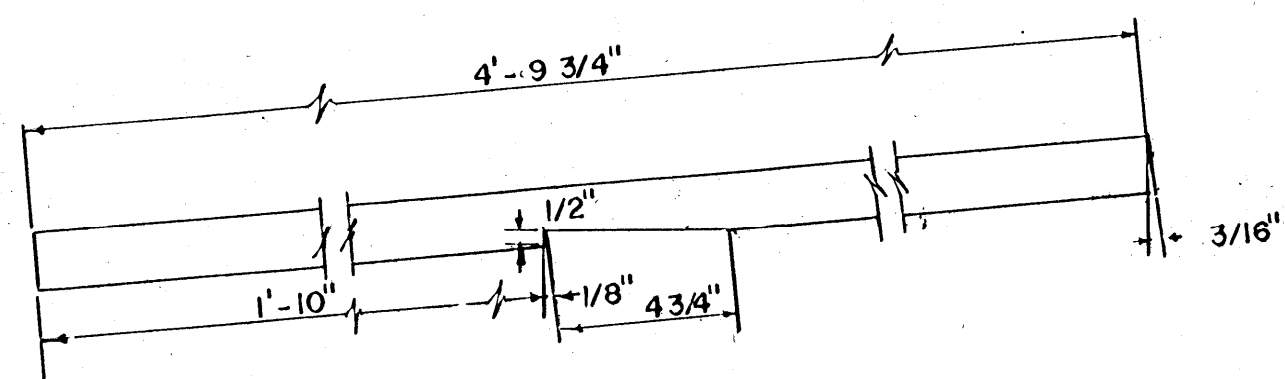
NOTE: ALL PIECES ARE TO BE 3/8" PLYWOOD UNLESS OTHERWISE NOTED.



APA EXTERIOR PLYWOOD RECOMMENDED FOR CONSTRUCTION.

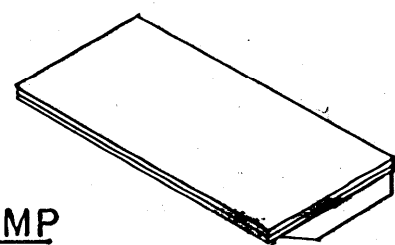
PLYWOOD CUTTING DETAILS

SCALE 3/8" = 1'-0"



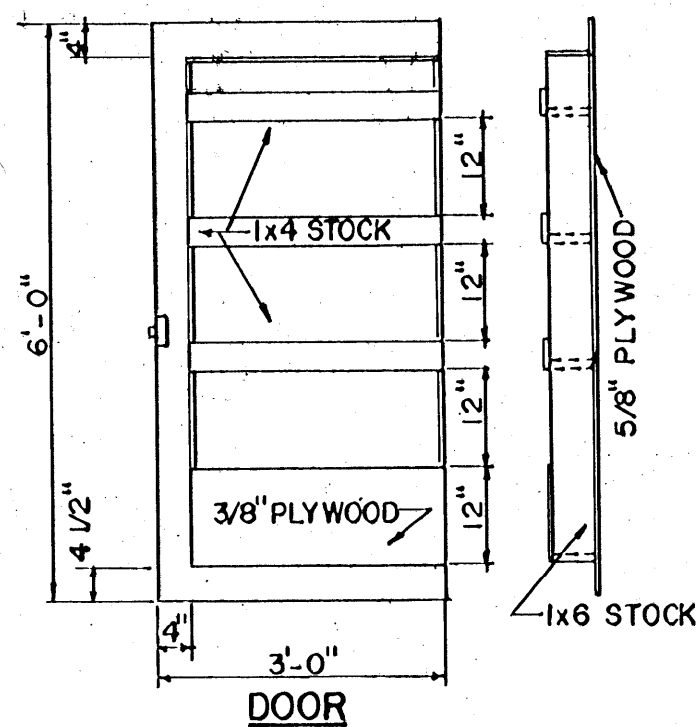
RAFTER DETAIL
(NOT TO SCALE)

RAMP

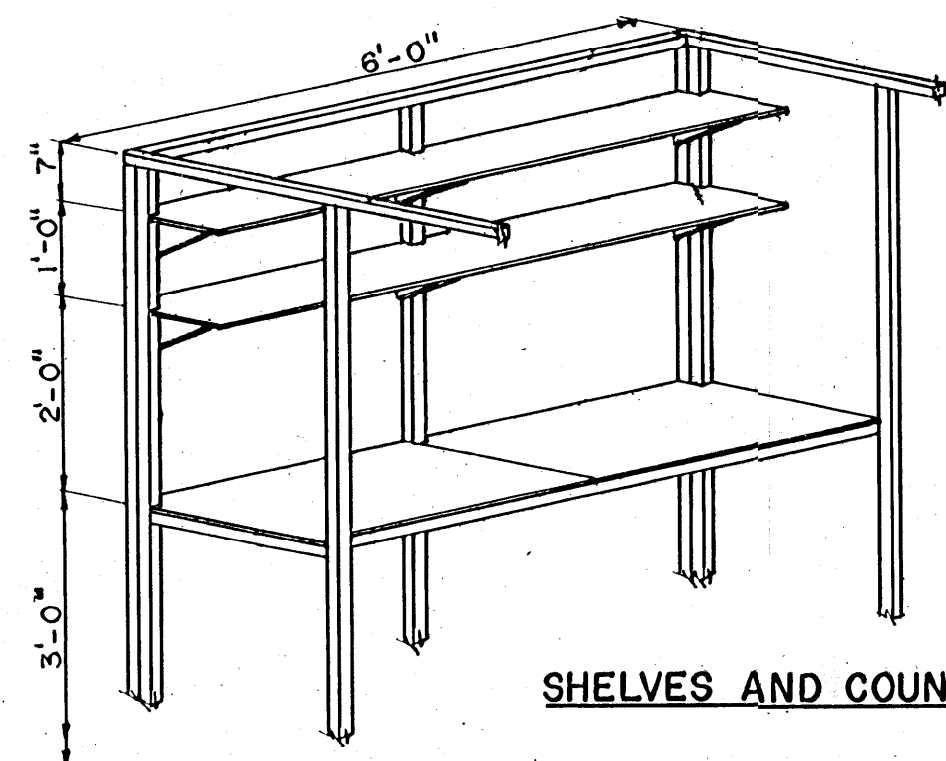


ISOMETRIC PROJECTIONS

SCALE: 1/2" = 1'-0"

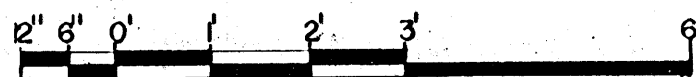


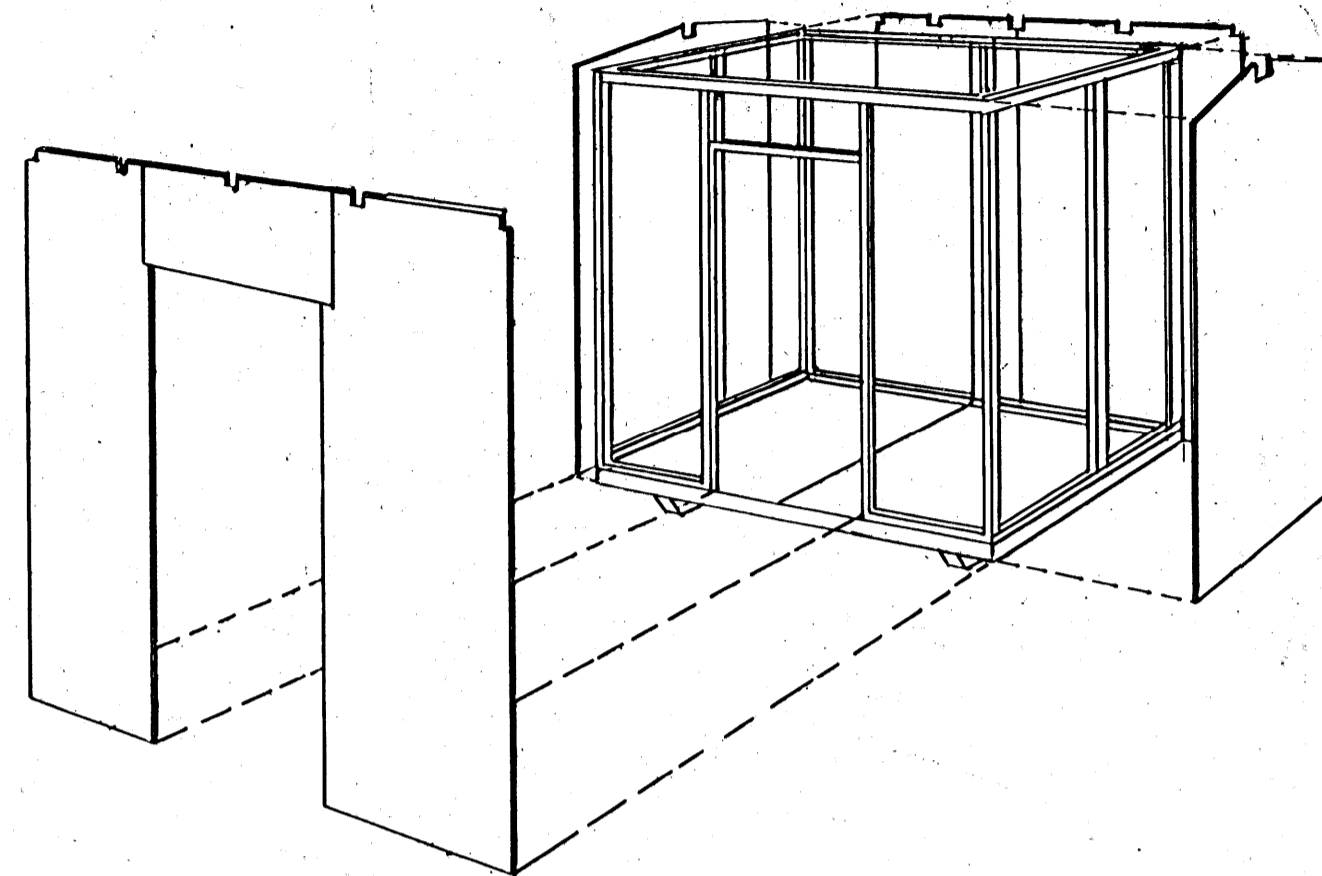
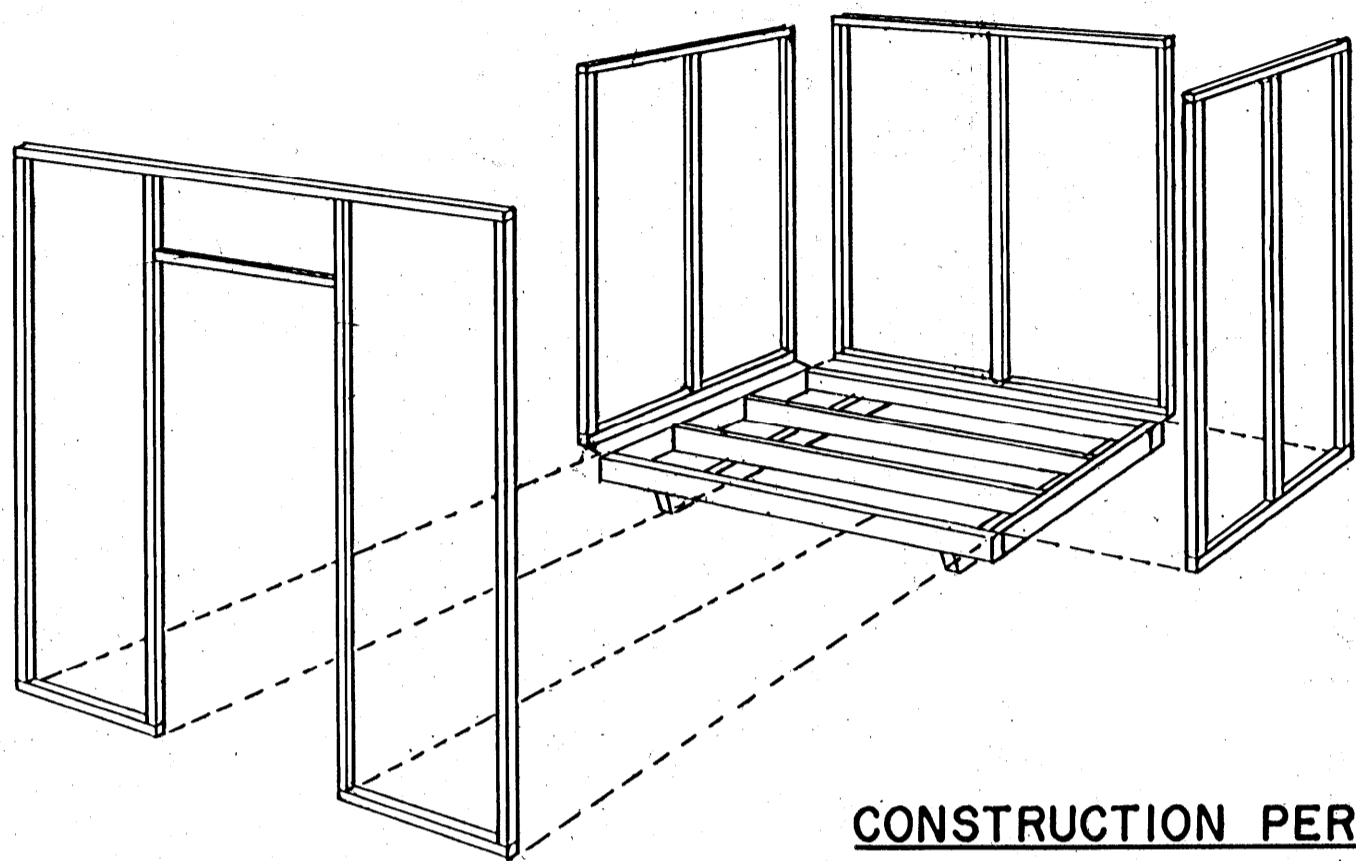
DOOR



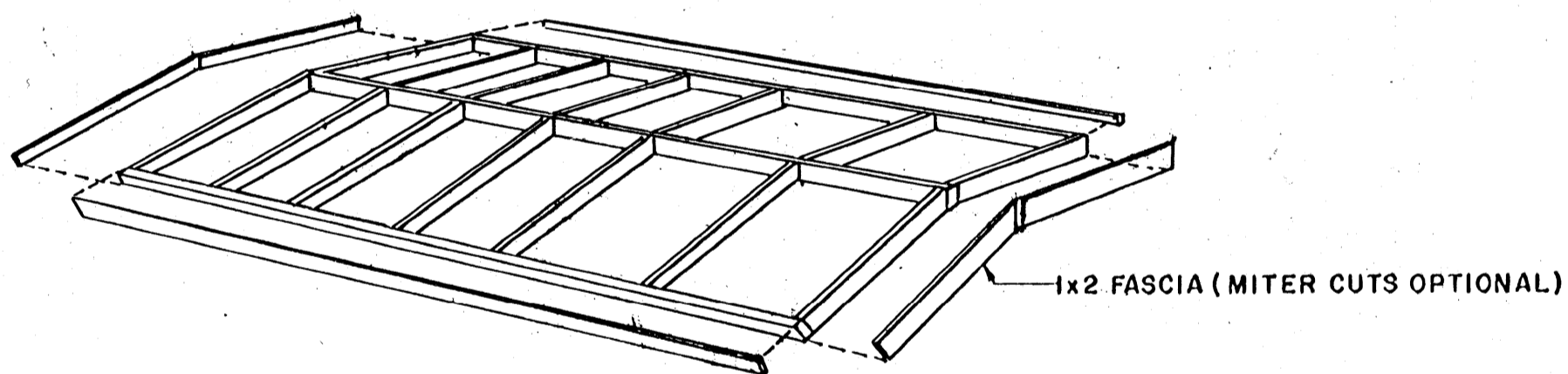
SHELVES AND COUNTER

COOPERATIVE EXTENSION WORK IN AGRICULTURE AND HOME ECONOMICS STATE OF MISSISSIPPI MISSISSIPPI STATE UNIVERSITY AND UNITED STATES DEPARTMENT OF AGRICULTURE COOPERATING		
OUTDOOR GARDEN STORAGE		
APA '77	6284	SHEET 2 OF 3





CONSTRUCTION PERSPECTIVES
(NOT TO ANY SCALE)



1x2 FASCIA (MITER CUTS OPTIONAL)

RECOMMENDED PLYWOOD: 303 ® TEXTURED PLYWOOD SIDING AND A-C EXTERIOR APA ® G.T.P.¹

MATERIALS LIST	
QUANTITY	DESCRIPTION
4 PANELS	3/8" x 4'-0" x 8'-0" A-C PLYWOOD FOR ROOF SHEATHING
2 PANELS	3/4" x 4'-0" x 8'-0" A-C PLYWOOD FOR FLOOR AND COUNTER
9 PANELS	5/8" TEXTURED PLYWOOD SIDING FOR DOOR, WALLS, SIDING, AND RAMP.
4 PIECES	2x4 LUMBER — 8 FOOT LONG FOR FLOOR FRAMING
3 PIECES	2x4 LUMBER — 6 FOOT LONG FOR FLOOR FRAMING.
184 LIN. FT.	2x2 LUMBER FOR WALL STUDS, COUNTER FRAMING, TOP AND BOTTOM PLATES ²
3 PIECES	2x2 LUMBER—12 FOOT LONG FOR ROOF FRAMING
7 PIECES	2x2 LUMBER—10 FOOT LONG FOR ROOF RAFTERS
2 PIECES	4x4 LUMBER— 8 FOOT LONG FOR SKIDS (IF TWO 6-FOOT LENGTHS ARE AVAILABLE, USE THEM)
152 LIN. FT.	1 x 2 LUMBER FOR FASCIAS AND BATTENS
8 LIN. FT.	1 x 4 LUMBER FOR SHELF FRONTS
5 PIECES	1 x 6 LUMBER— 8 FOOT LONG FOR DOOR SHELVES AND FRAMING (USE 6 FT. LENGTHS IF AVAILABLE)
3	3-1/2" x 3-1/2" - FAST-PIN ZINC-COATED HINGES FOR DOOR
1	KEY LOCK AND LATCH
11/3 SQUARES	ASPHALT OR CEDAR SHINGLES OR CEDAR SHAKES OR BUILT UP 90# ROOFING AS SELECTED
AS REQUIRED	8d COMMON NAILS FOR ROOF, WALL AND DOOR FRAMING
AS REQUIRED	5d, 6d, AND 8d GALVANIZED OR CEMENT-COATED NAILS FOR SIDING AND FLOOR.

THIS OUTDOOR STORAGE HOUSE WILL ADD A DISTINCTIVE AND ATTRACTIVE TOUCH TO YOUR BACK YARD AND STILL STORE ALL YOUR GARDEN TOOLS, SUPPLIES AND PATIO ITEMS, YOU CAN CHOOSE FROM A WIDE RANGE OF PLYWOOD TEXTURES AND FINISHES FOR THE EXTERIOR TREATMENT.

SPECIAL NOTE: BE SURE THAT YOU HAVE REVIEWED AND UNDERSTAND ALL CONSTRUCTION AND HAVE VERIFIED ALL DIMENSIONS BEFORE CUTTING YOUR MATERIALS.

COOPERATIVE EXTENSION WORK IN
AGRICULTURE AND HOME ECONOMICS
STATE OF MISSISSIPPI
MISSISSIPPI STATE UNIVERSITY
AND
UNITED STATES DEPARTMENT OF AGRICULTURE COOPERATING

OUTDOOR GARDEN STORAGE

APA '77	6284	SHEET 3 OF 3
---------	------	--------------

¹ GRADE TRADEMARKED PLYWOOD
² BASED ON 8 FOOT LENGTHS
USE PAINT OR STAIN FOR FINISHING