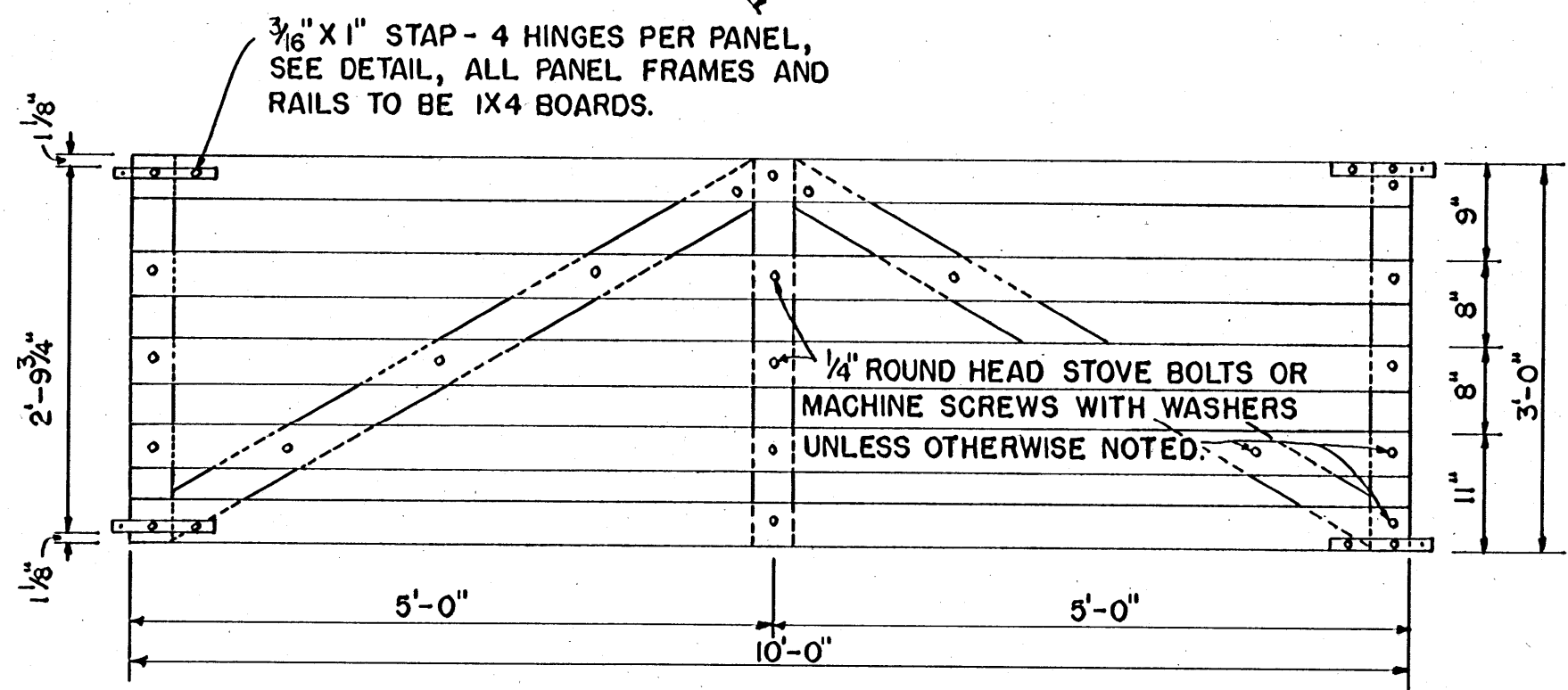
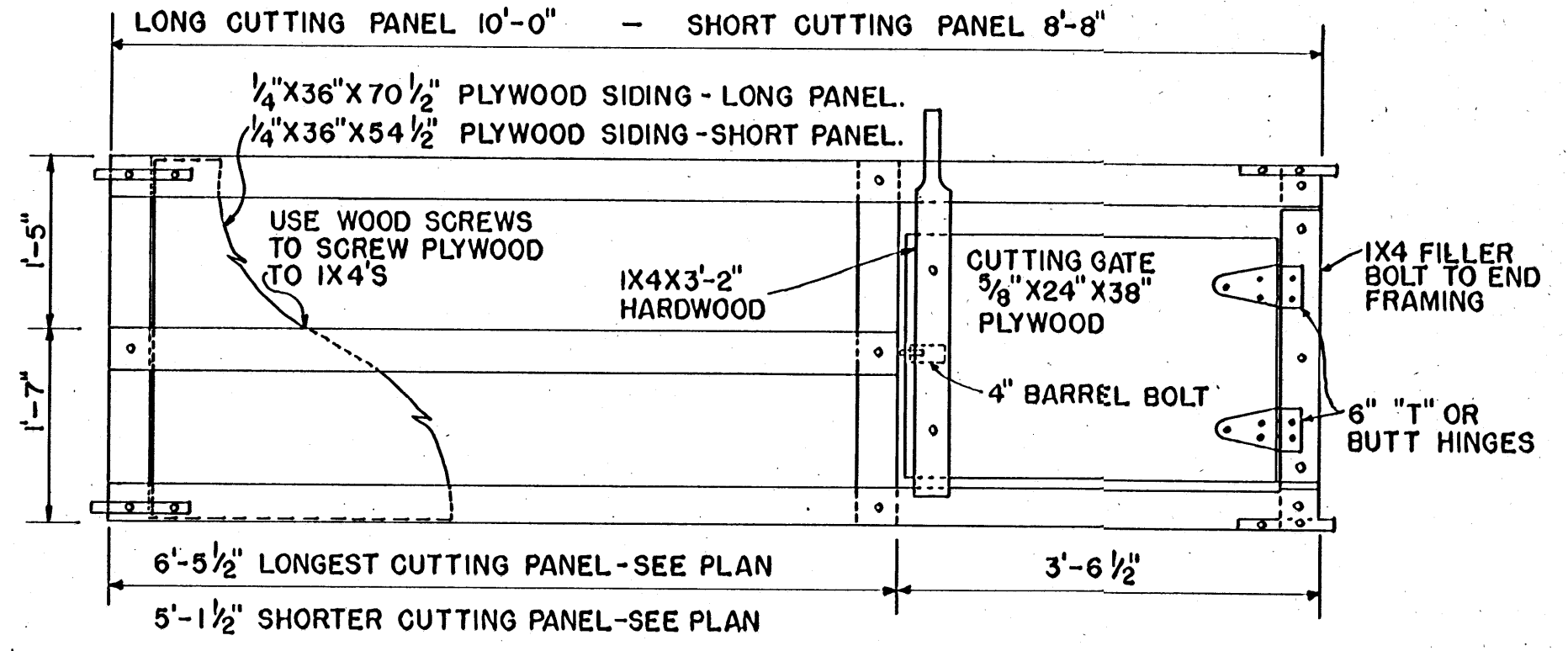


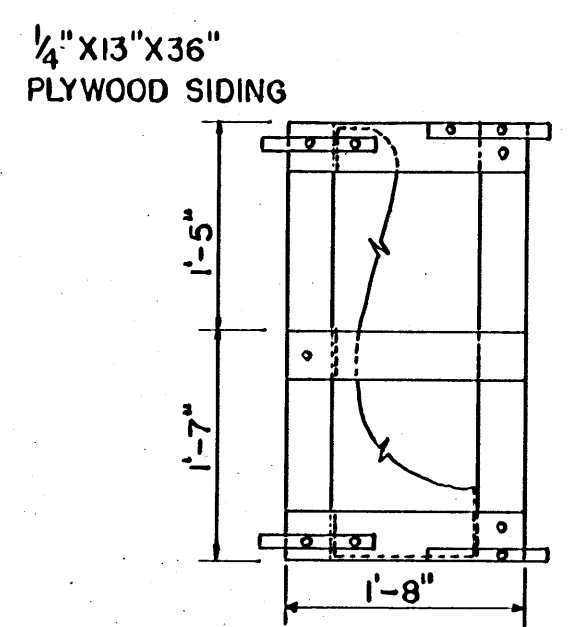
PLAN
SCALE: 1/4" = 1'-0"
12" 0 1 2 3 4"



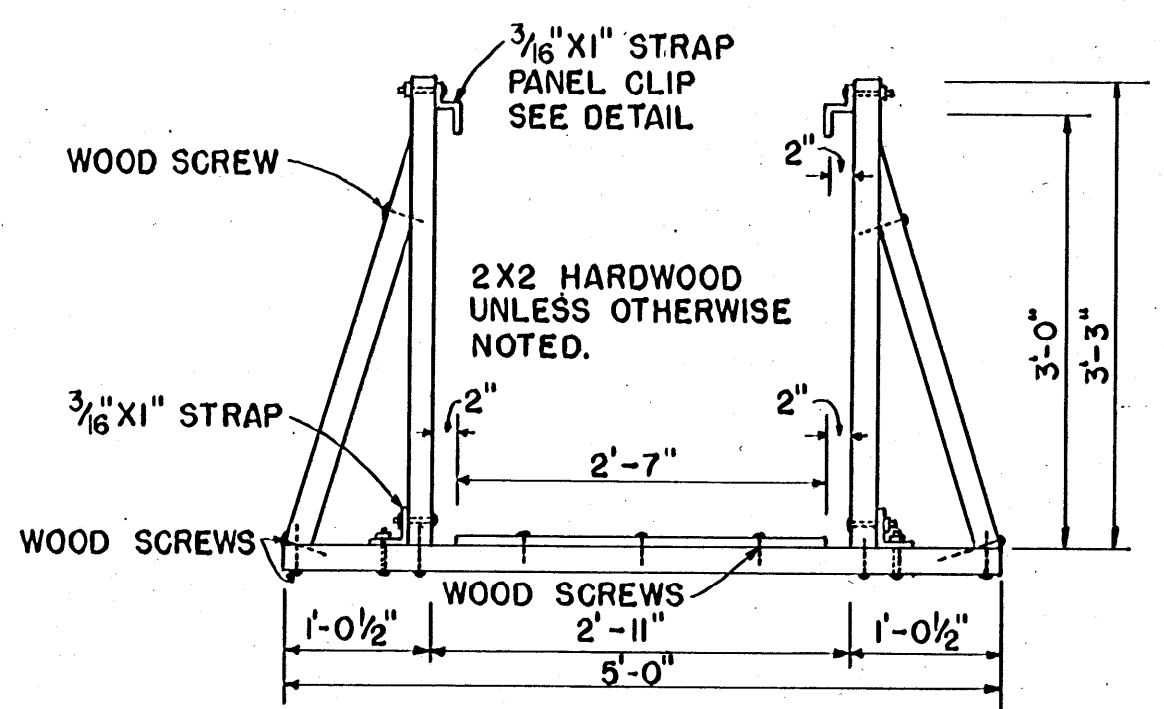
STANDARD PANEL - 12 REQUIRED



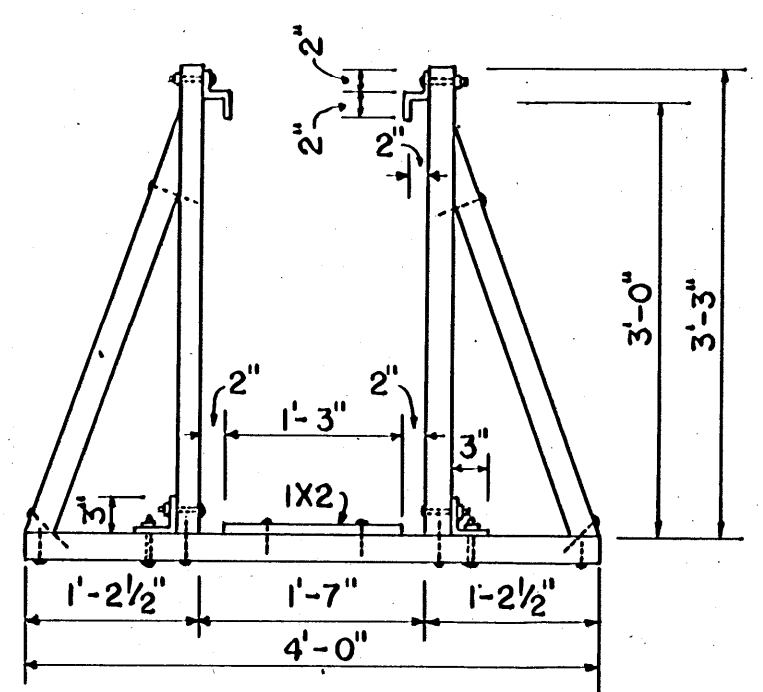
CUTTING PANELS - 1 EACH SIZE REQUIRED



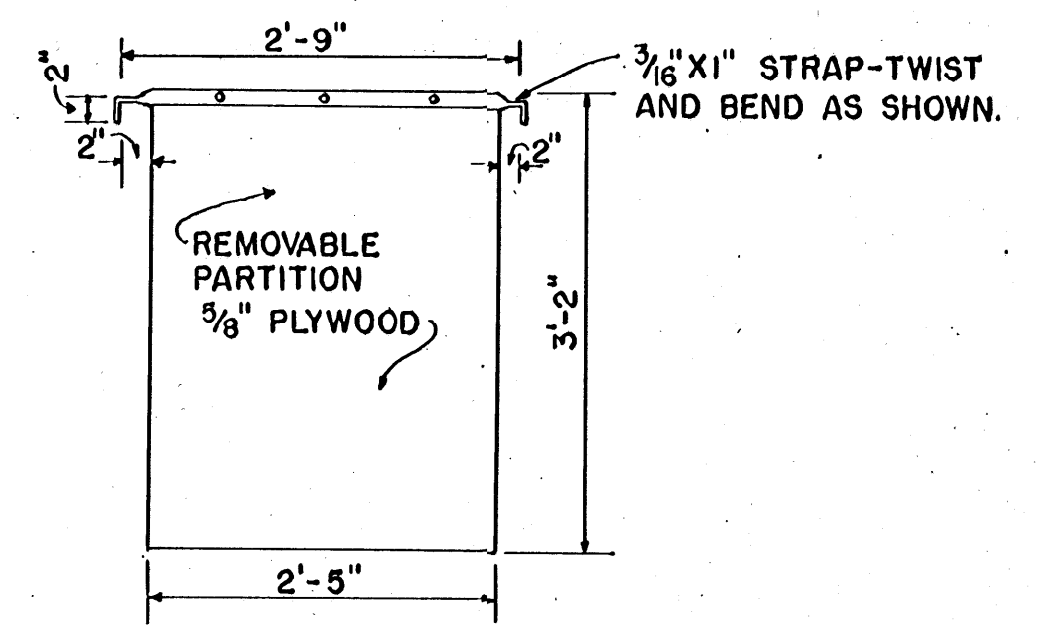
SHORT PANEL - 1 REQUIRED



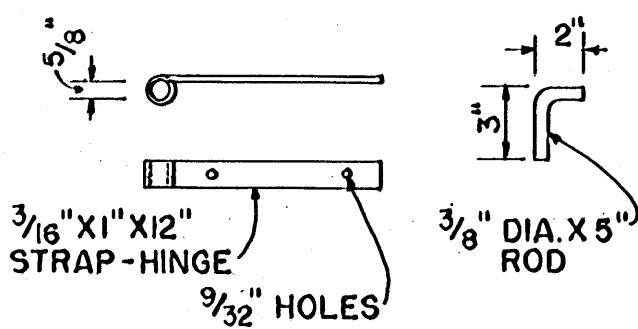
CROWDING CHUTE BRACE - 3 REQUIRED



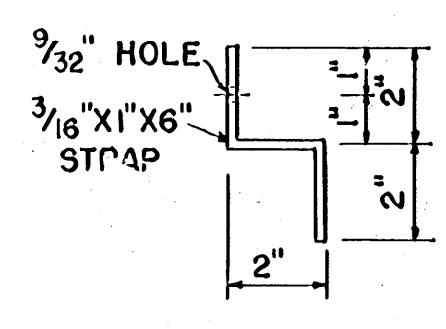
CUTTING CHUTE BRACE - 2 REQUIRED



REMOVABLE PARTIONS - 2 REQUIRED



HINGE & PIN DETAILS
SCALE: 1/2" = 1'-0"
12" 9" 6" 3" 0"



PANEL CLIP DETAIL
SCALE: 3" = 1'-0"
6" 3" 2" 1" 0"

- MATERIALS:**
- 78 PCS. 1X4 X 10'-0"
 - 15 PCS. 1X4 X 12'-0"
 - 5 PCS. 2X2 X 10'-0" HARDWOOD.
 - 4 PCS. 2X2 X 12'-0" HARDWOOD.
 - 1 SHEET 5/8" EXT. PLYWOOD.
 - 2 SHEET 1/4" EXT. PLYWOOD.
 - 1 PIECE 1X2 X 12'-0" HARDWOOD
 - 3/16" X 1" X 76'-0" STRAP IRON
 - 2 PR. 6" "T" OR BUTT HINGES
 - 3/8" DIA. X 12'-6" STEEL ROD
 - TWO - 4" BARREL BOLTS
 - VARIOUS FASTENERS - WOOD SCREWS - BOLTS & WASHERS

BASED ON: W.VA. UNIV.
PLAN NO. SH-152

SCALE: 3/4" = 1'-0" UNLESS OTHERWISE NOTED.

COOPERATIVE EXTENSION WORK IN
AGRICULTURE AND HOME ECONOMICS
STATE OF MISSISSIPPI
MISSISSIPPI STATE UNIVERSITY
AND
UNITED STATES DEPARTMENT OF AGRICULTURE COOPERATING

**PORTABLE HANDLING FACILITY
FOR SHEEP**

W.VA.	'75	6236	SHEET 1 OF 1
-------	-----	------	--------------