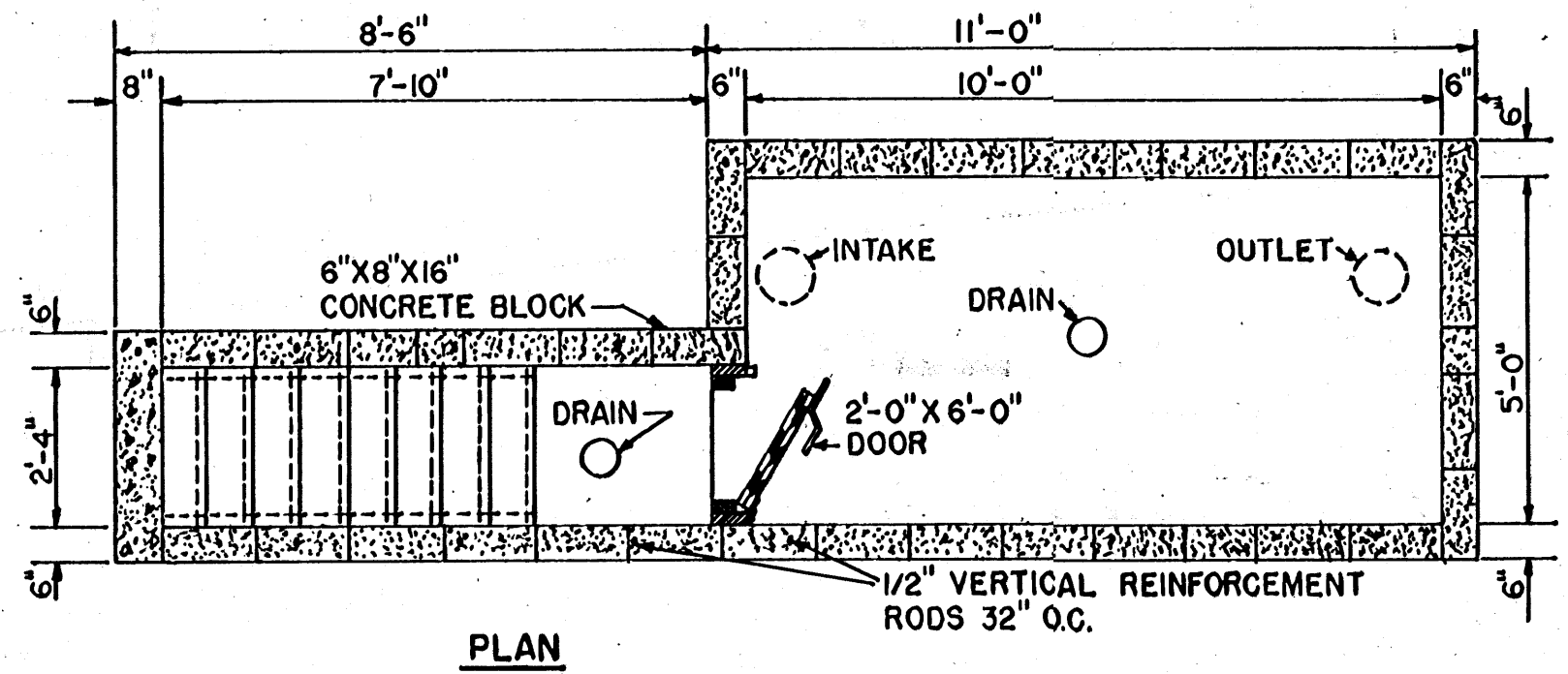
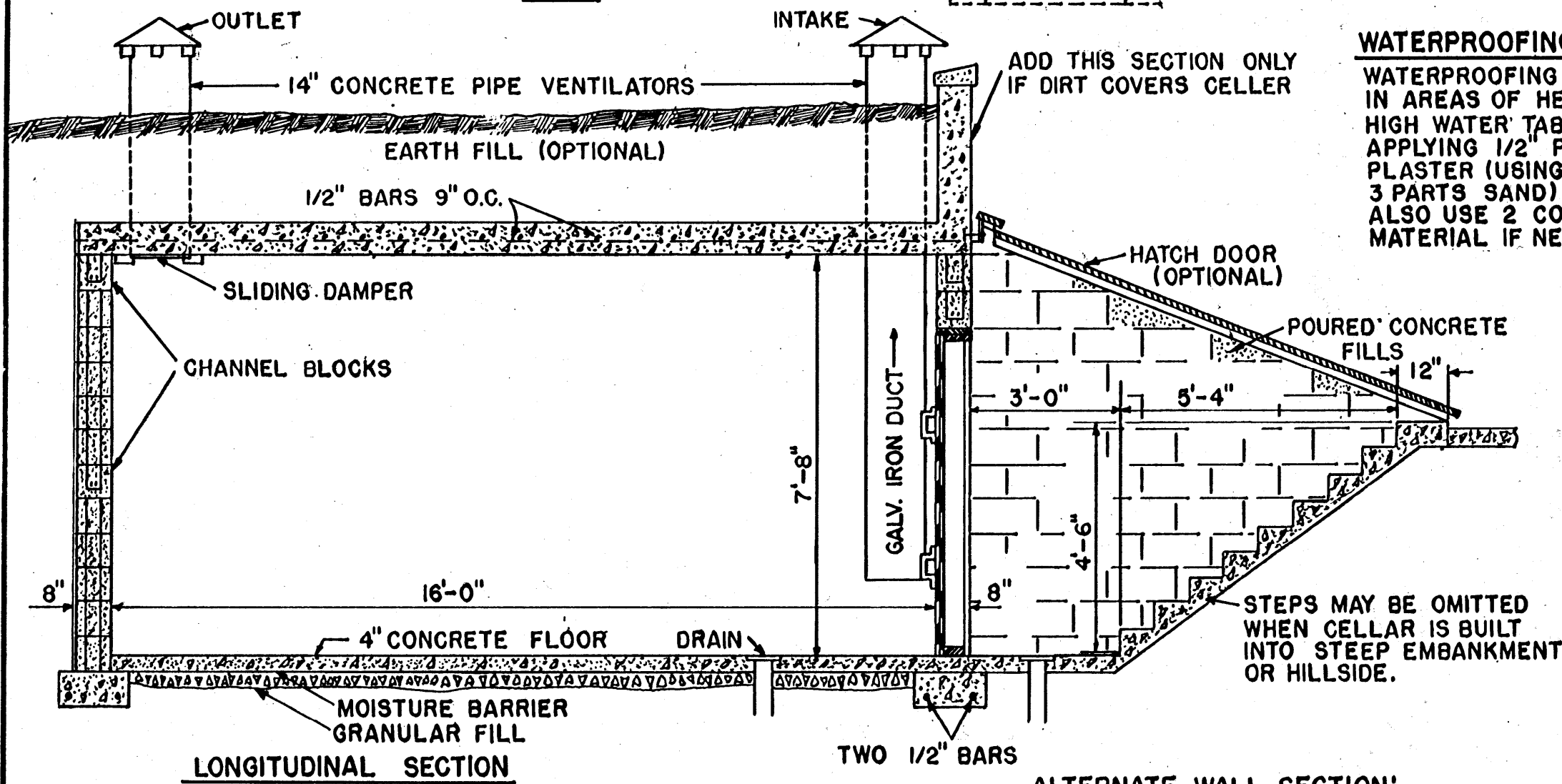


PLAN



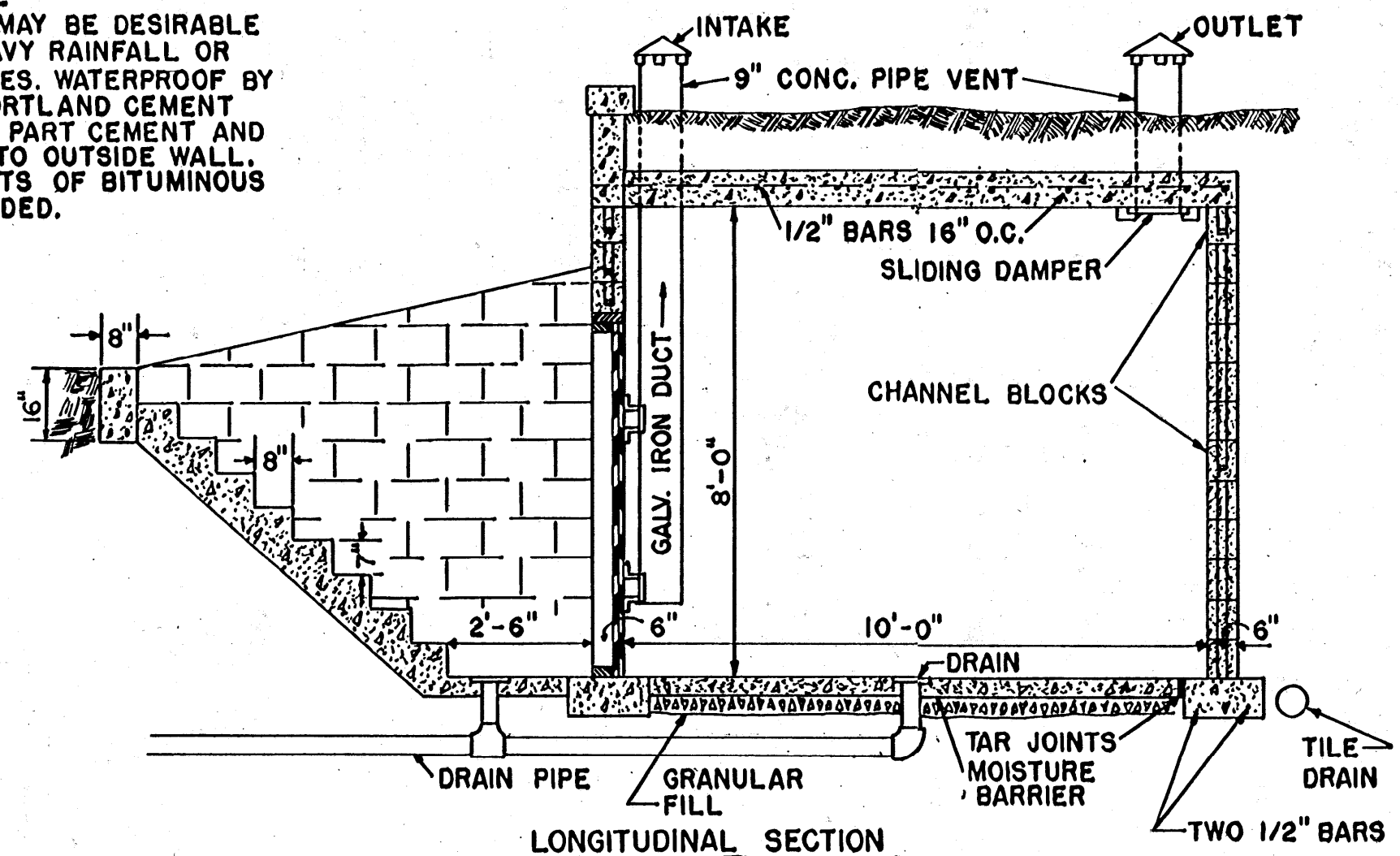
PLAN



LONGITUDINAL SECTION

WATERPROOFING:

WATERPROOFING MAY BE DESIRABLE IN AREAS OF HEAVY RAINFALL OR HIGH WATER TABLES. WATERPROOF BY APPLYING 1/2" PORTLAND CEMENT PLASTER (USING 1 PART CEMENT AND 3 PARTS SAND) TO OUTSIDE WALL. ALSO USE 2 COATS OF BITUMINOUS MATERIAL IF NEEDED.



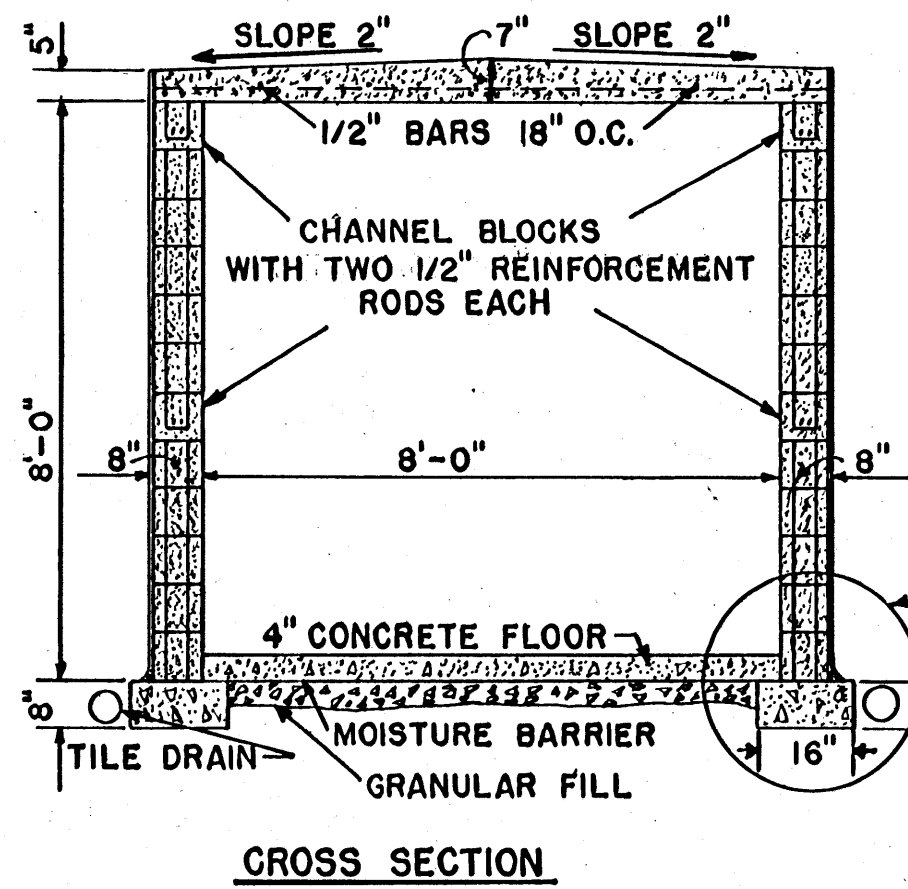
LONGITUDINAL SECTION

ALTERNATE WALL SECTION:

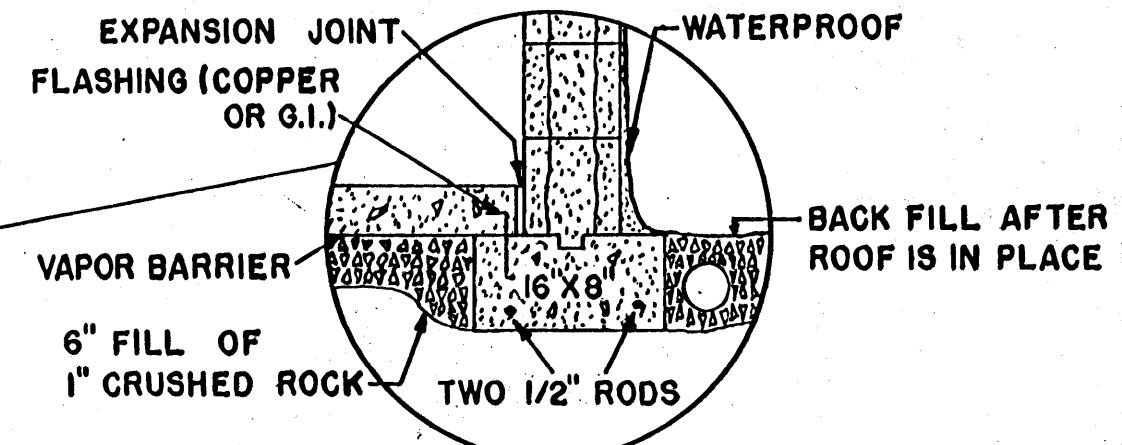
A 6" POURED CONCRETE WALL MAY BE USED. THE STEEL REINFORCING MUST BE 1/2" REINFORCING RODS 12" ON CENTER EACH WAY.

NOTE:

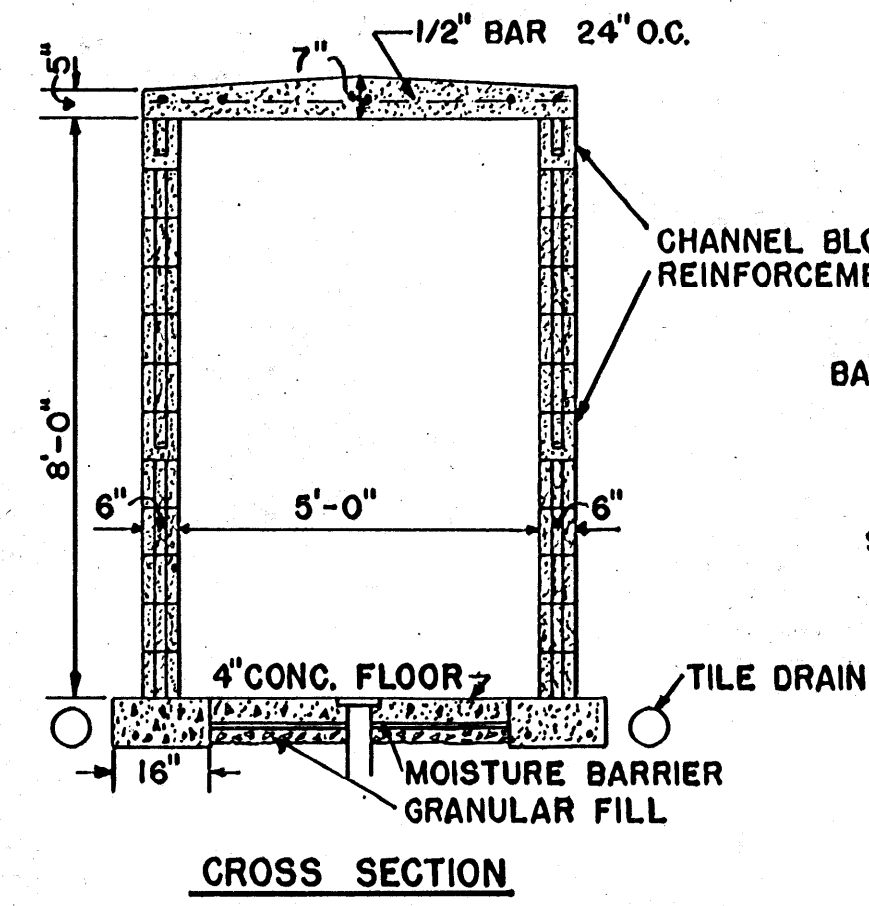
FLOOR DRAINS MAY BE USED IF THERE IS A LOWER AREA NEARBY TO WHICH WATER MAY BE DRAINED. IF A SUMP IS USED, EQUIP IT WITH AN AUTOMATIC PUMP.



CROSS SECTION



SCALE: 3/4" = 1'-0"



CROSS SECTION

BASED ON: AUBURN UNIV. PLAN NO. U-113 & U-114



SCALE: 3/8" = 1'-0" UNLESS OTHERWISE NOTED.

COOPERATIVE EXTENSION WORK IN AGRICULTURE AND HOME ECONOMICS STATE OF MISSISSIPPI MISSISSIPPI STATE UNIVERSITY AND UNITED STATES DEPARTMENT OF AGRICULTURE COOPERATING

STORM CELLAR

CONSULT LOCAL HEALTH AND BUILDING CODE AUTHORITIES BEFORE STARTING CONSTRUCTION