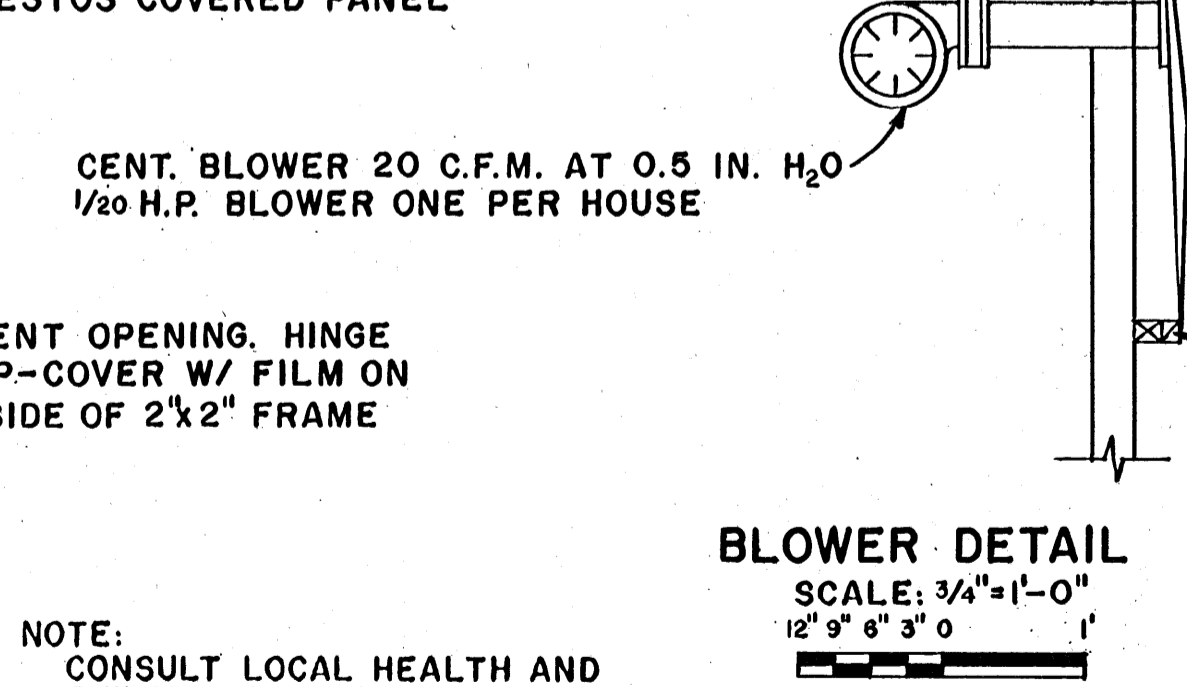
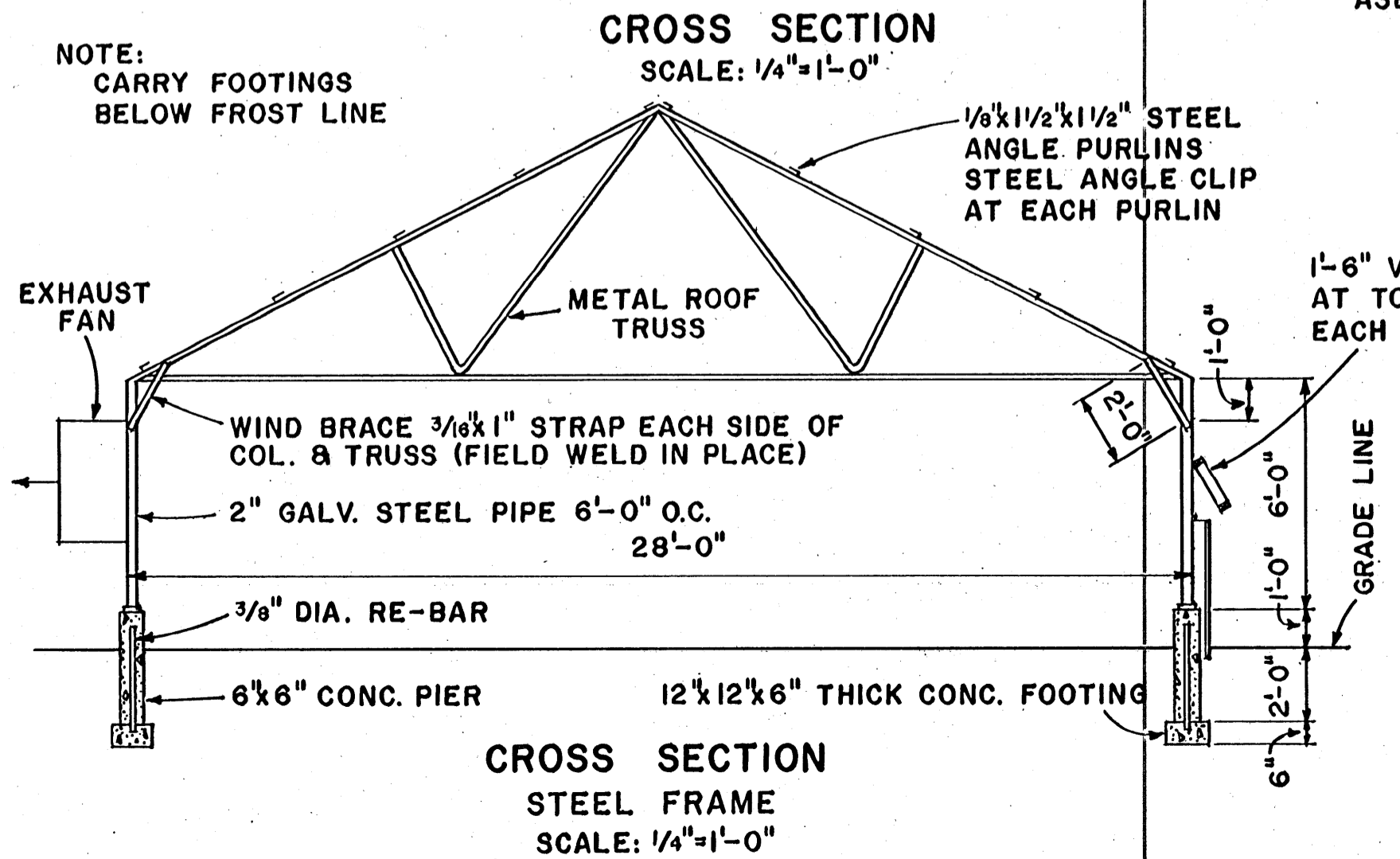
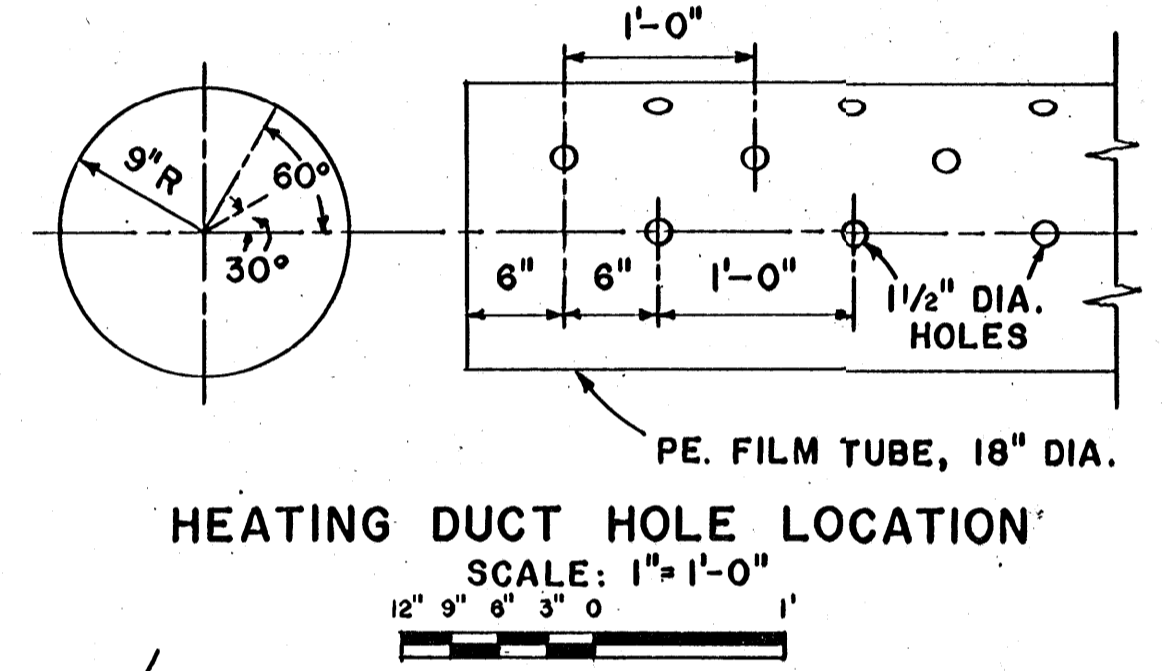
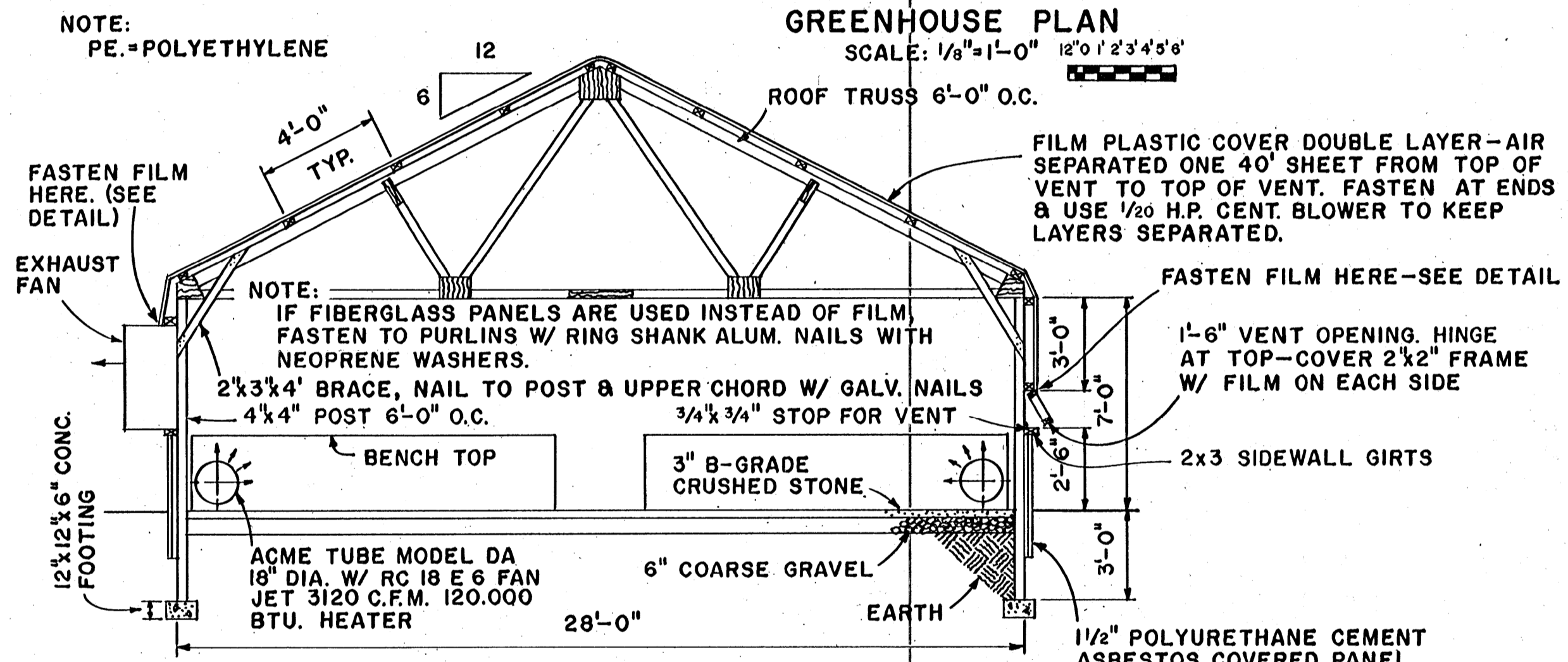


GREENHOUSE PLAN
SCALE: 1/8"=1'-0" 12' 0" 1' 2' 3' 4' 5' 6'



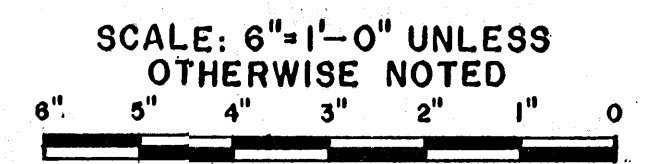
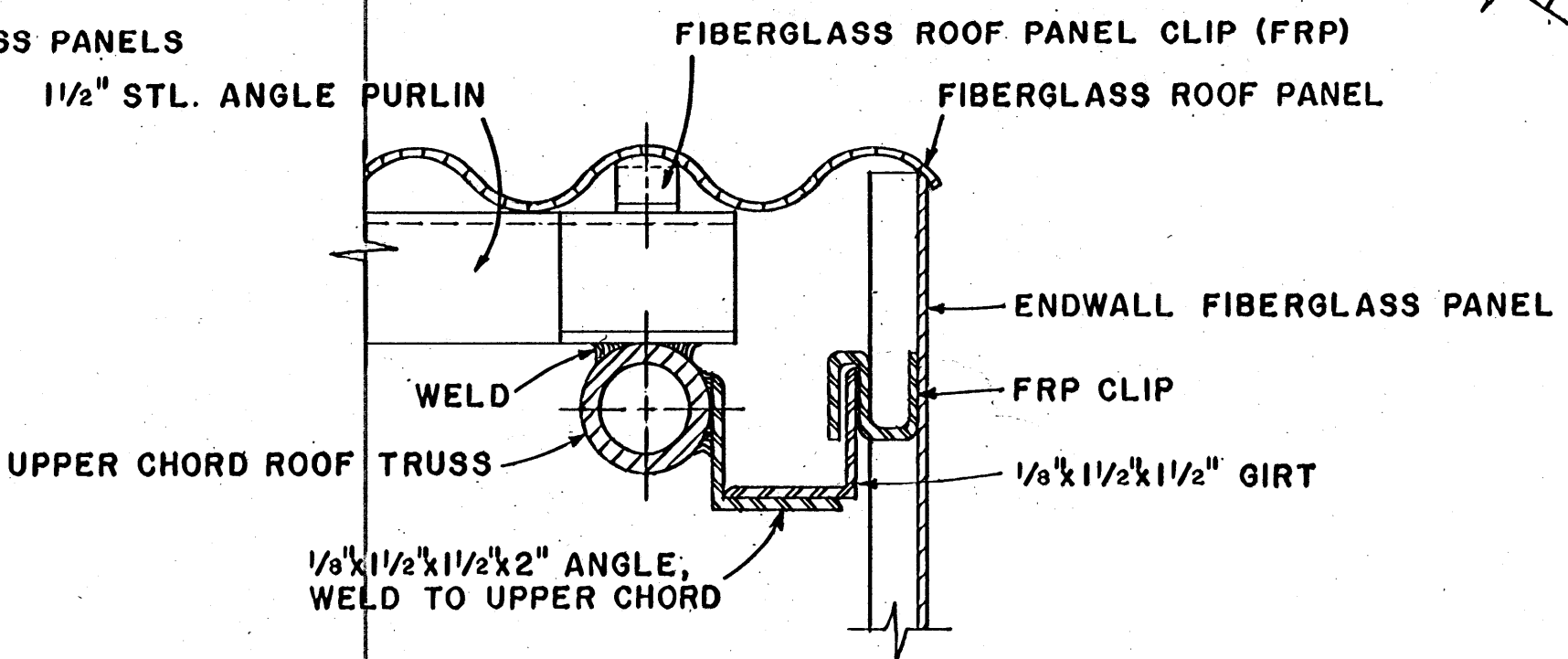
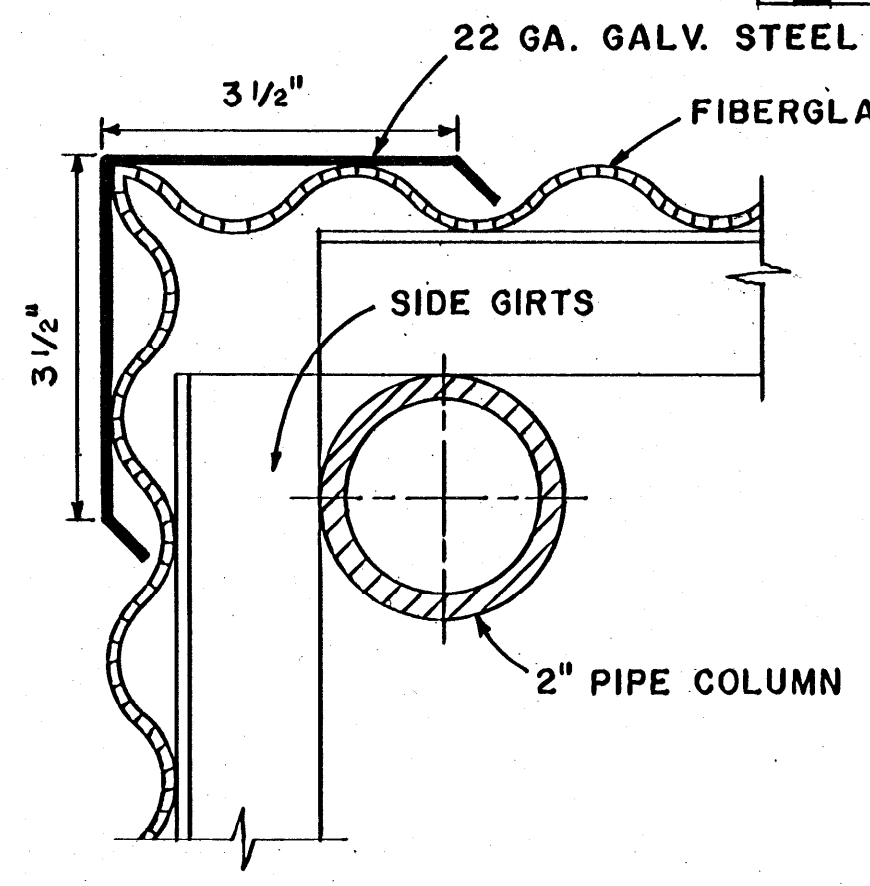
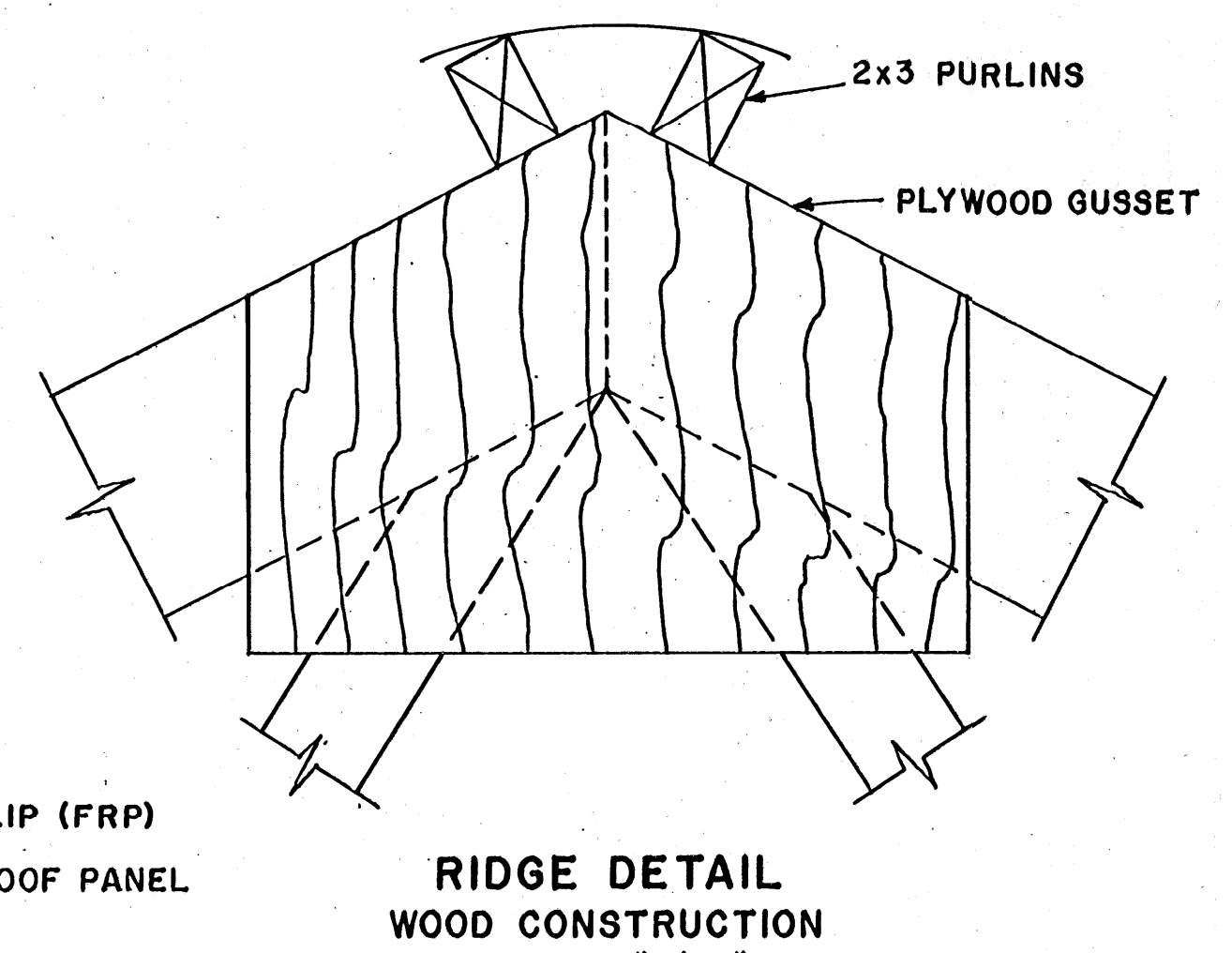
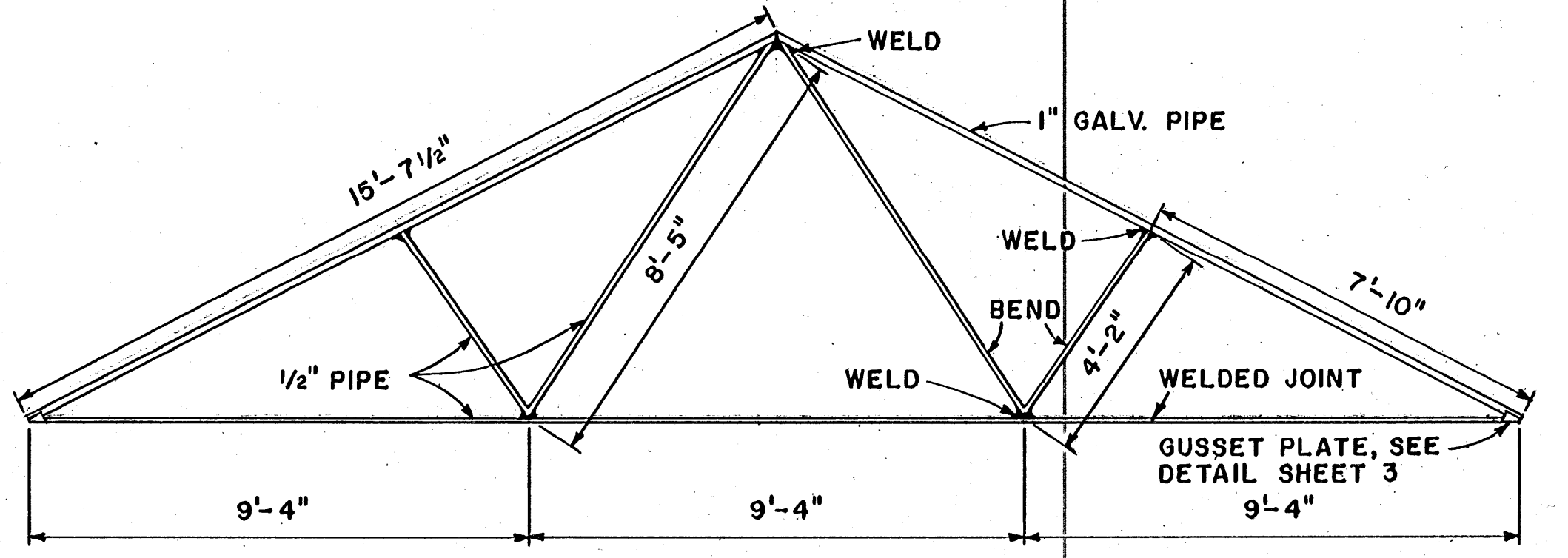
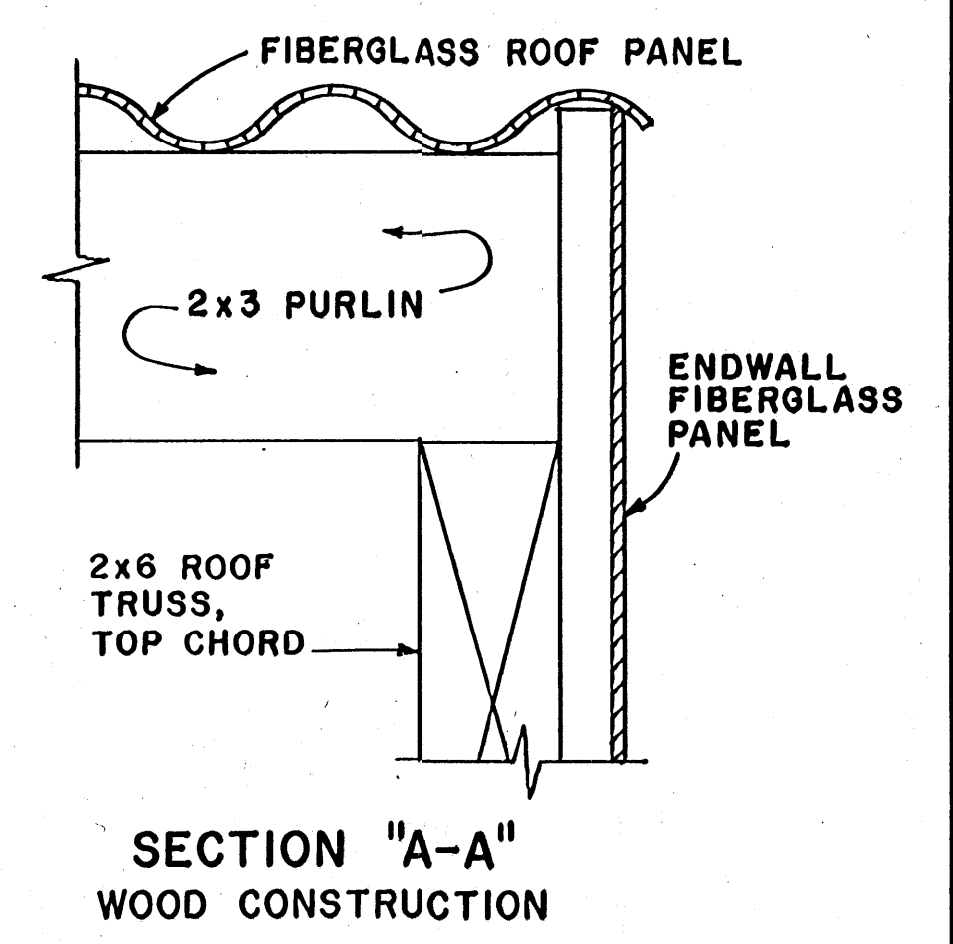
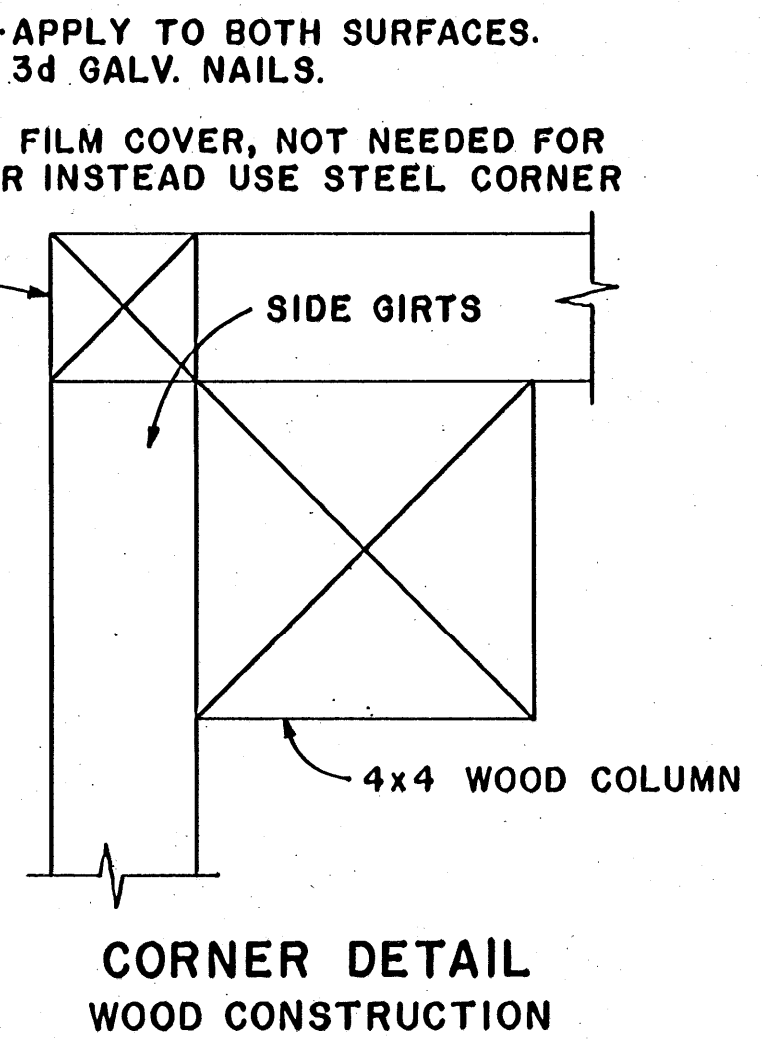
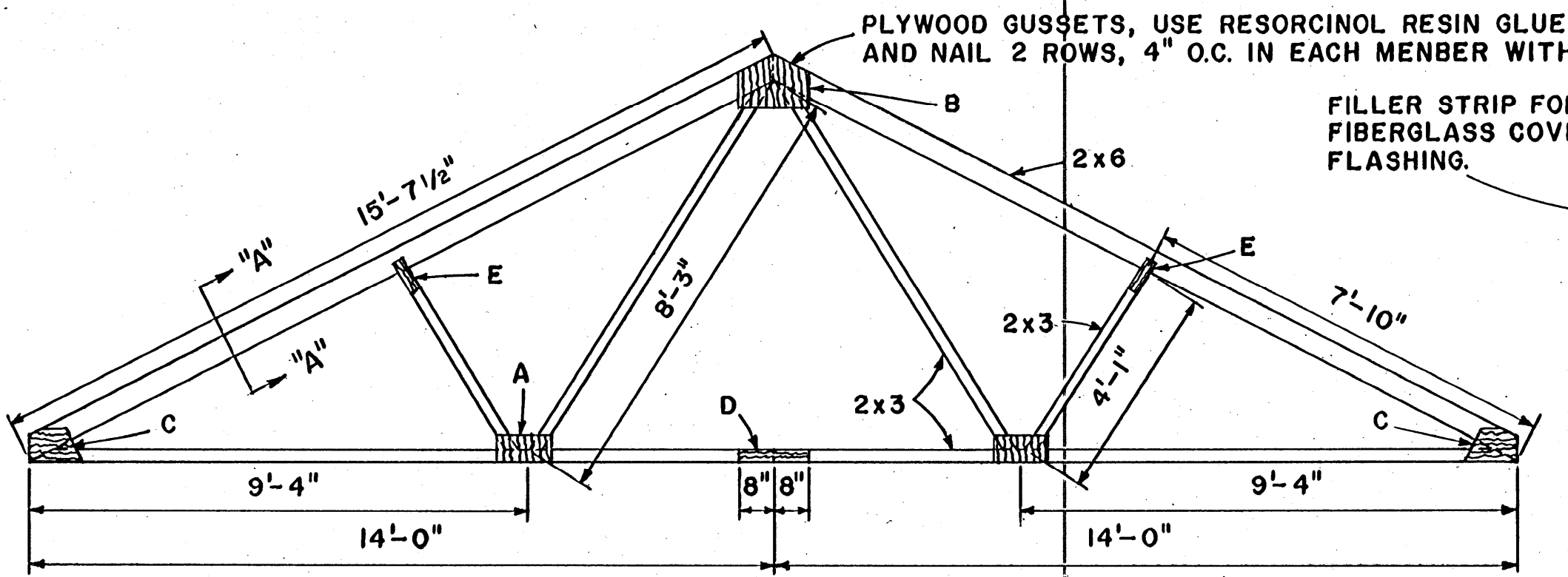
NOTE:
CONSULT LOCAL HEALTH AND BUILDING CODE AUTHORITIES BEFORE STARTING CONSTRUCTION.
MENTION OF A TRADE NAME DOES NOT CONSTITUTE A GUARANTEE OR WARRANTY OF THE PRODUCT BY THE U.S. DEPARTMENT OF AGRICULTURE OR AN ENDORSEMENT BY THE DEPARTMENT OVER OTHER PRODUCTS NOT MENTIONED.

SCALE: 1/4"=1'-0" UNLESS OTHERWISE NOTED
12' 0" 1' 2' 3' 4' 5'

COOPERATIVE EXTENSION WORK IN AGRICULTURE AND HOME ECONOMICS
STATE OF MISSISSIPPI
MISSISSIPPI STATE UNIVERSITY
AND
UNITED STATES DEPARTMENT OF AGRICULTURE COOPERATING

28' GREENHOUSE

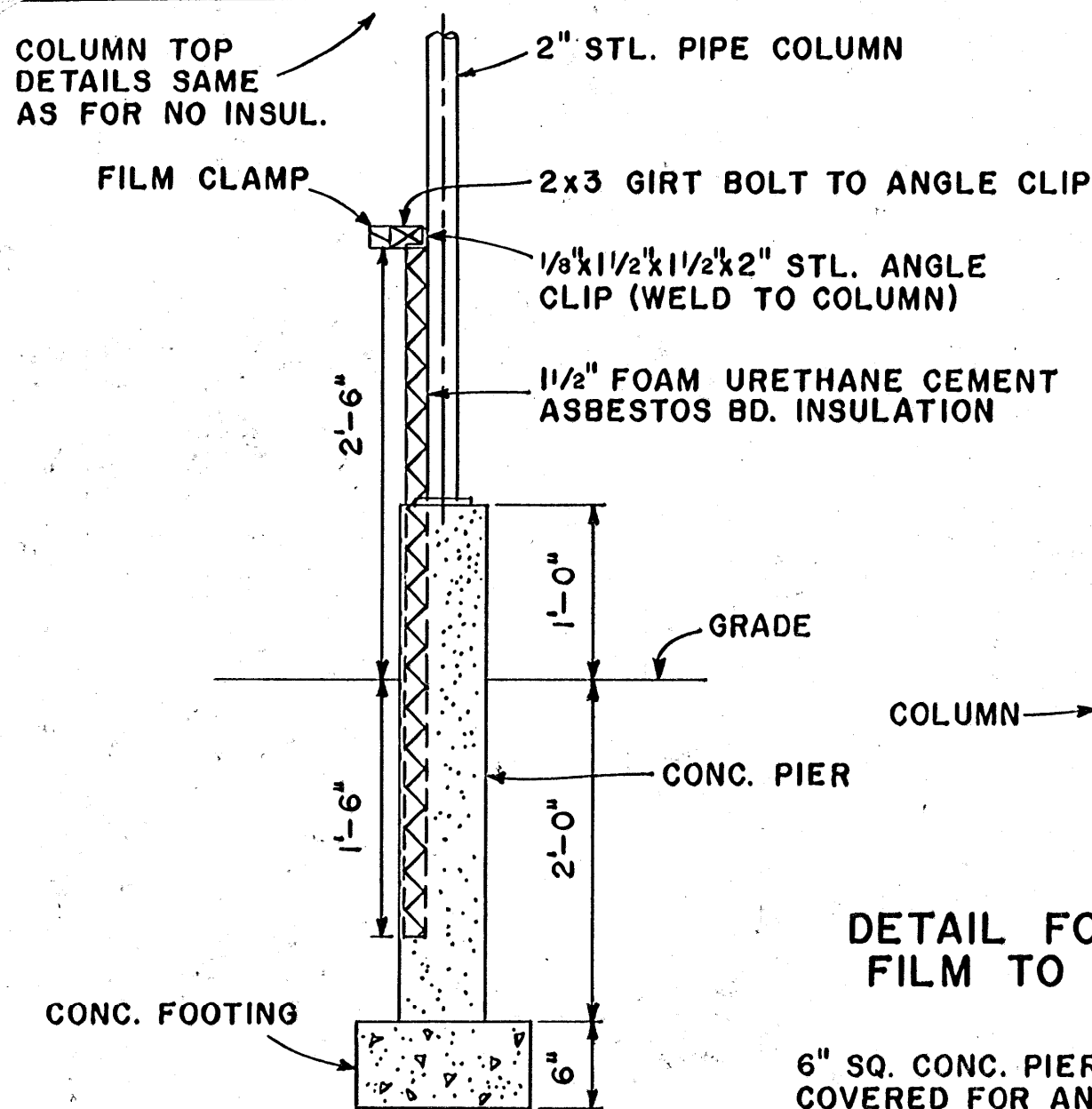
PA. '74	6185	SHEET 1 OF 3
---------	------	--------------



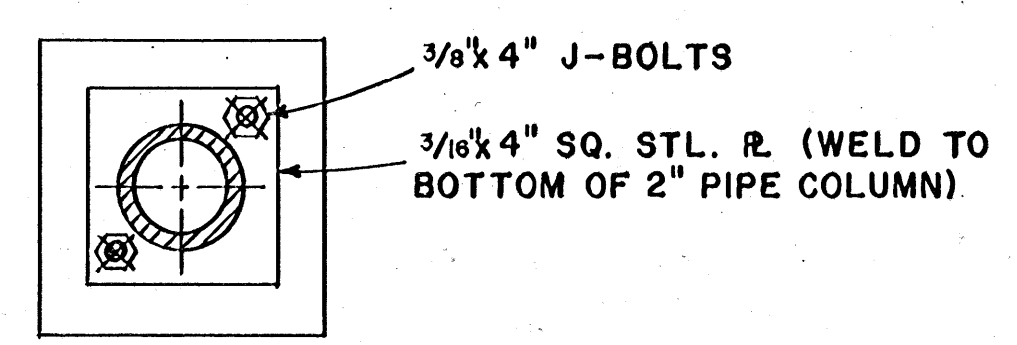
COOPERATIVE EXTENSION WORK IN AGRICULTURE AND HOME ECONOMICS
STATE OF MISSISSIPPI
MISSISSIPPI STATE UNIVERSITY
AND UNITED STATES DEPARTMENT OF AGRICULTURE COOPERATING

28' GREENHOUSE

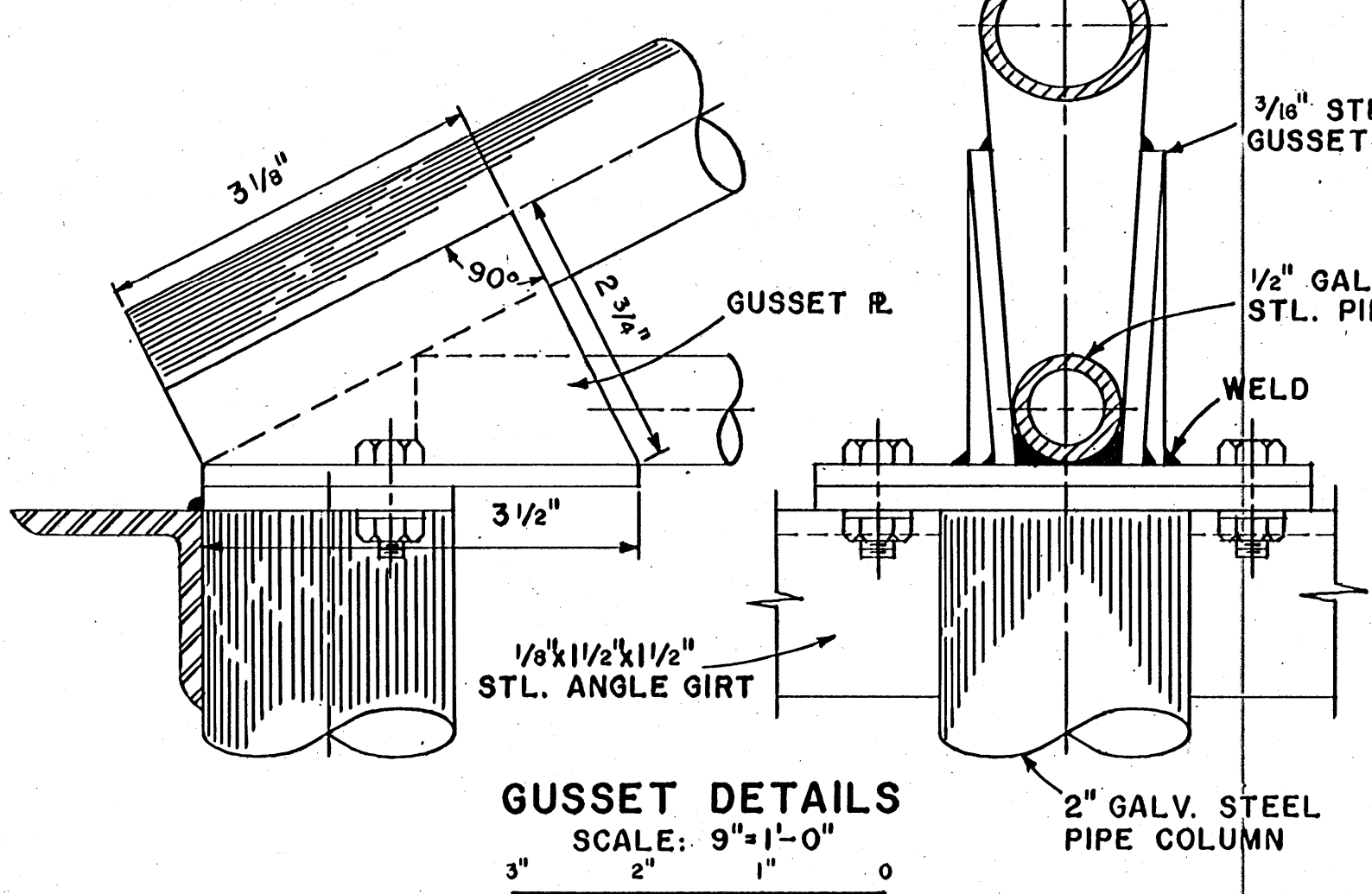
PA.	'74	6185	SHEET 2 OF 3
-----	-----	------	--------------



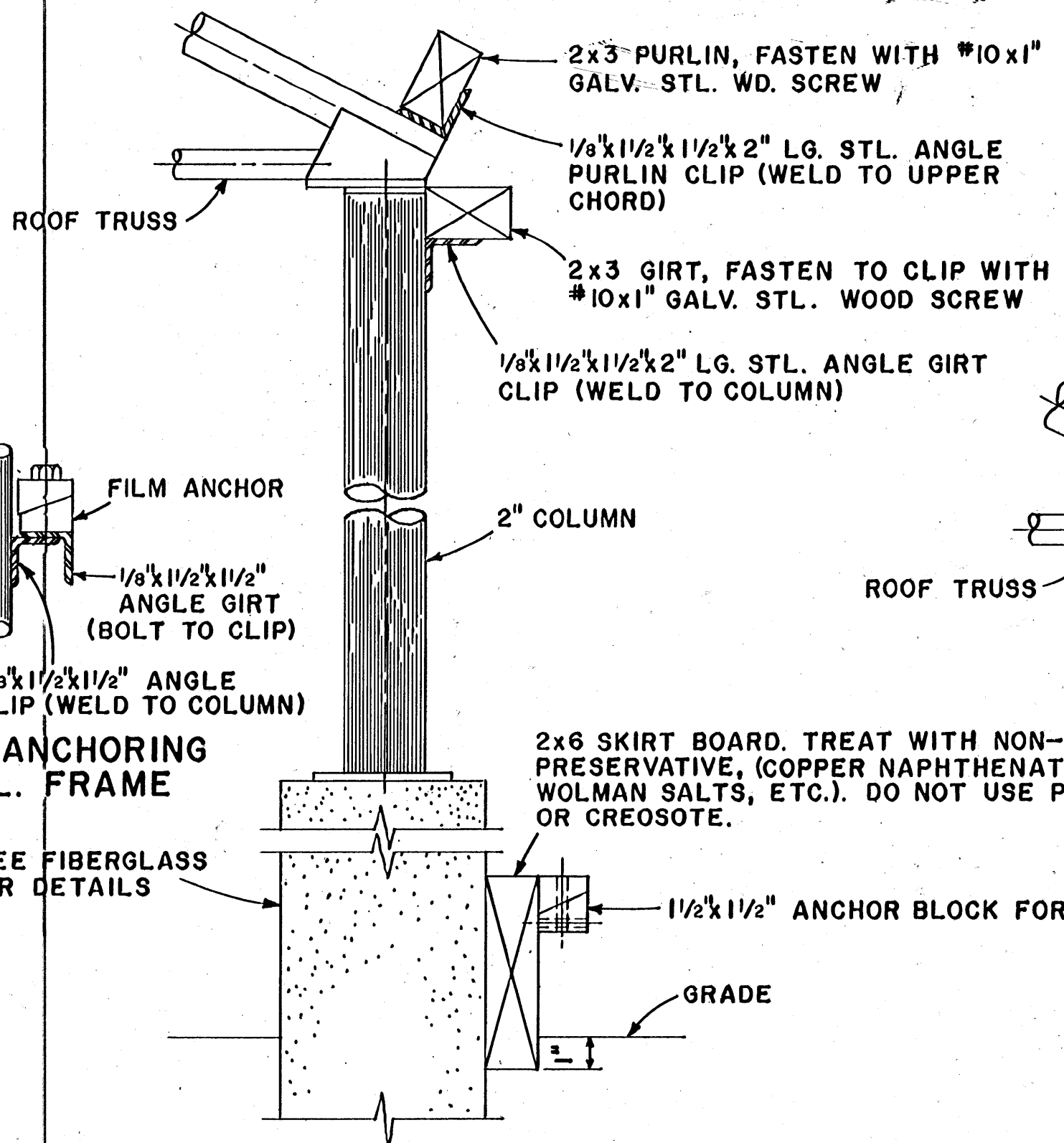
COLUMN DETAIL
 STEEL CONSTRUCTION WITH INSULATION
 SCALE: 1"=1'-0"
 12" 9" 6" 3" 0"



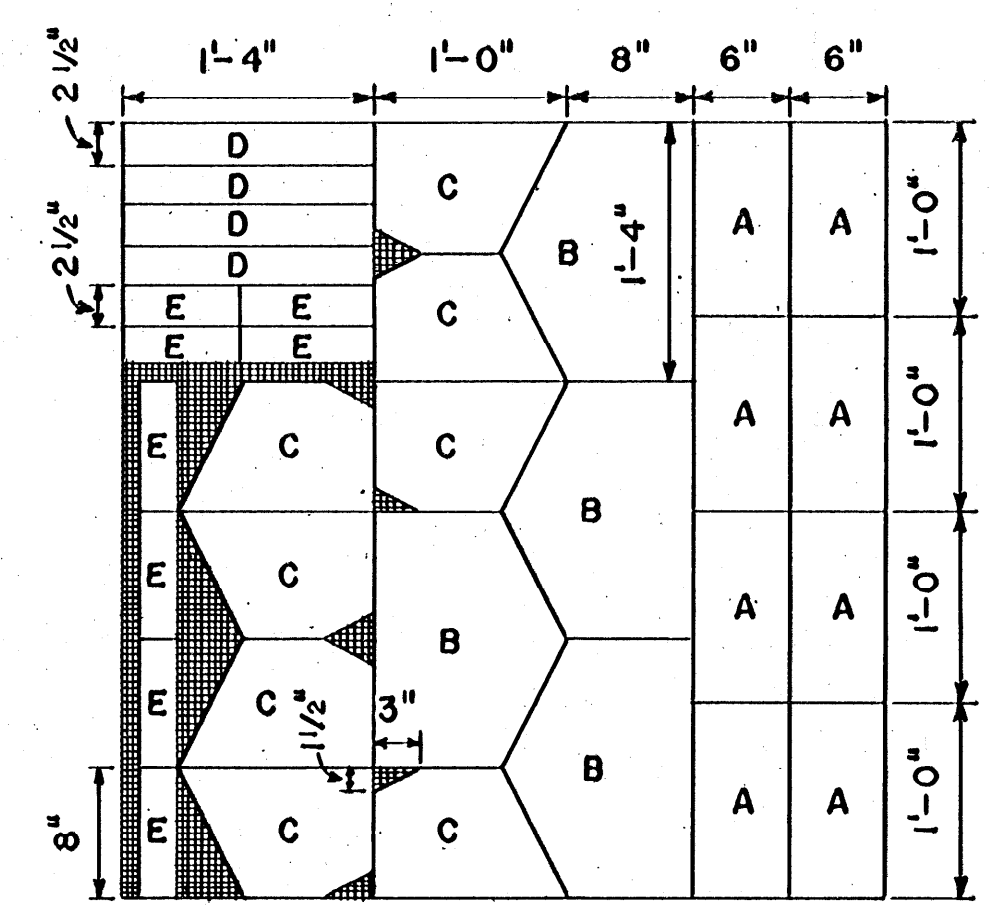
BASE PLATE PLAN



GUSSET DETAILS
 SCALE: 9"=1'-0"
 3" 2" 1" 0"

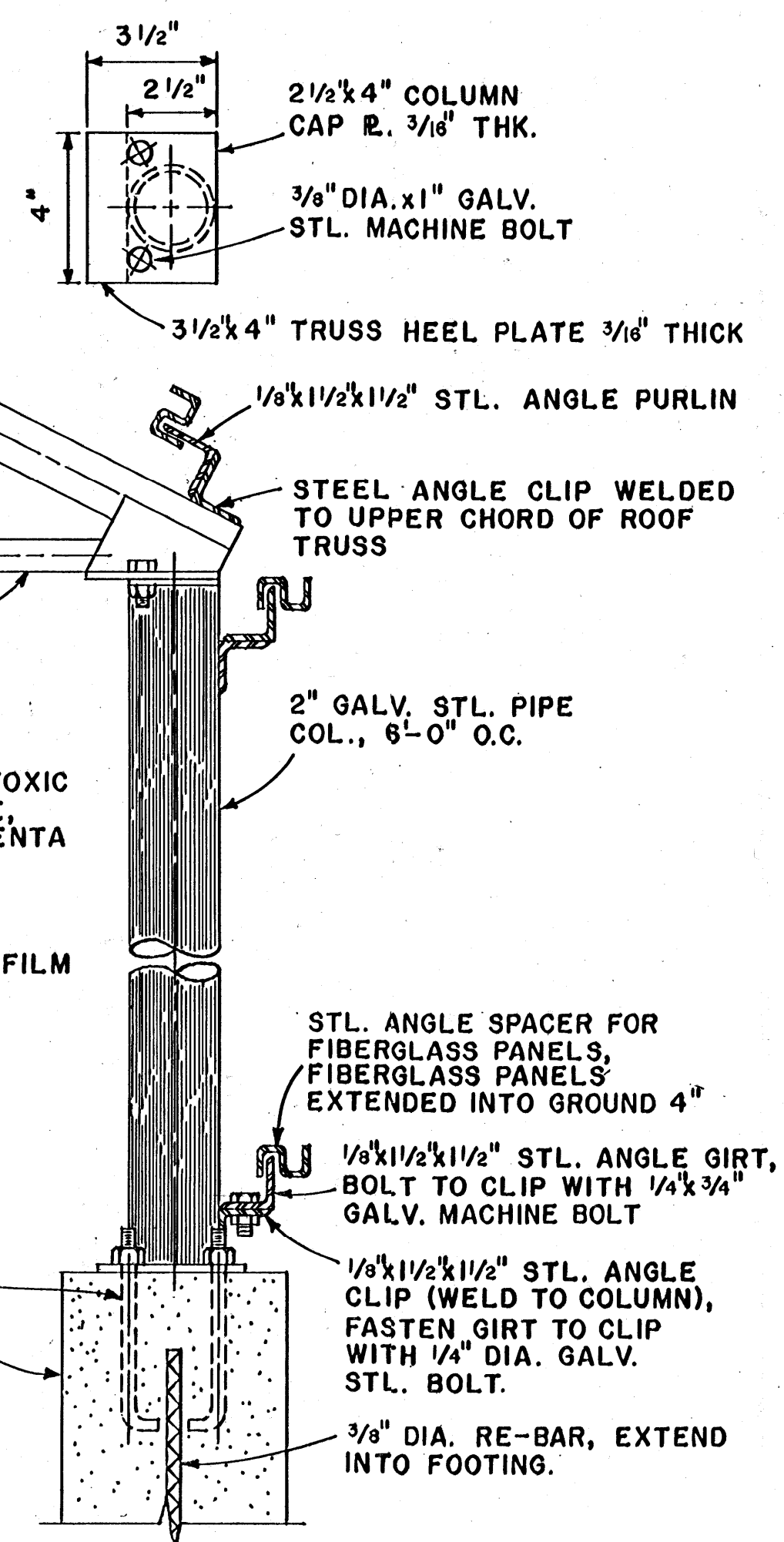


COLUMN DETAIL
 STL. FRAME-FILM COVER, NO INSUL.



GUSSET CUTTING LAYOUT
 *ONE-HALF SHEET B-B EXT. 3/8" PLYWOOD
 SCALE: 1"=1'-0"
 12" 9" 6" 3" 0"

*NOTE:
 HALF SHEET IF CUT AS SHOWN WILL
 SUPPLY GUSSETS FOR TWO TRUSSES



COLUMN DETAIL
 STEEL FRAME,
 FIBERGLASS COVER,
 NO INSUL.

SCALE: 3"=1'-0" UNLESS
 OTHERWISE NOTED
 6" 5" 4" 3" 2" 1" 0"

COOPERATIVE EXTENSION WORK IN
 AGRICULTURE AND HOME ECONOMICS
 STATE OF MISSISSIPPI
 MISSISSIPPI STATE UNIVERSITY
 AND
 UNITED STATES DEPARTMENT OF AGRICULTURE COOPERATING

28' GREENHOUSE

PA.	'74	6185	SHEET 3 OF 3
-----	-----	------	--------------