

**NOTES:**  
 APPROXIMATELY 450' OF 4' WIDE 12 GAGE WIRE MESH IS REQUIRED PER BIN. USE 2 LAYERS OF 12 GAGE WIRE MESH FOR UPPER AND MIDDLE SECTIONS OF CRIB AND 3 LAYERS FOR LOWER SECTION OR, 1 LAYER OF 4 GAGE WIRE MESH FOR UPPER AND MIDDLE SECTIONS OF CRIB AND 1 LAYER OF 2 GAGE WIRE MESH FOR LOWER SECTION

SCALE: 3/8" = 1'-0" UNLESS OTHERWISE INDICATED

COOPERATIVE EXTENSION WORK IN AGRICULTURE AND HOME ECONOMICS  
 STATE OF MISSISSIPPI  
 MISSISSIPPI STATE UNIVERSITY  
 AND  
 UNITED STATES DEPARTMENT OF AGRICULTURE COOPERATING

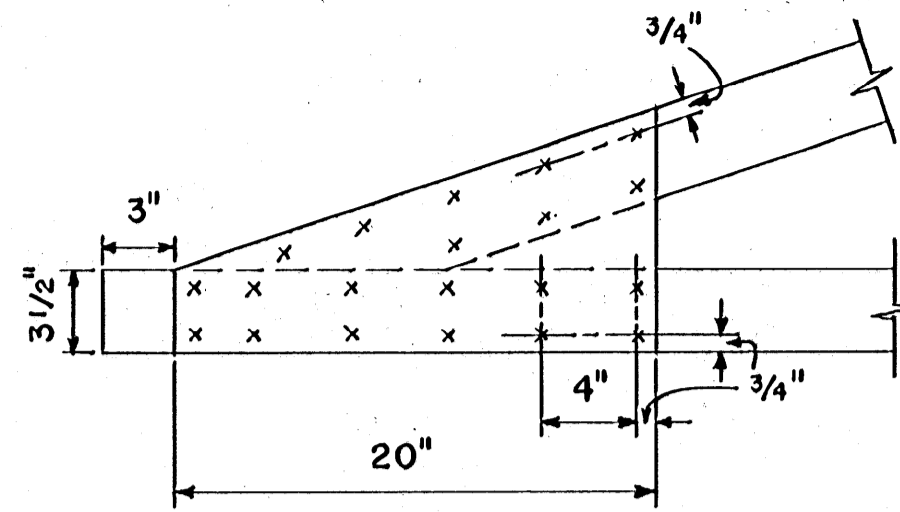
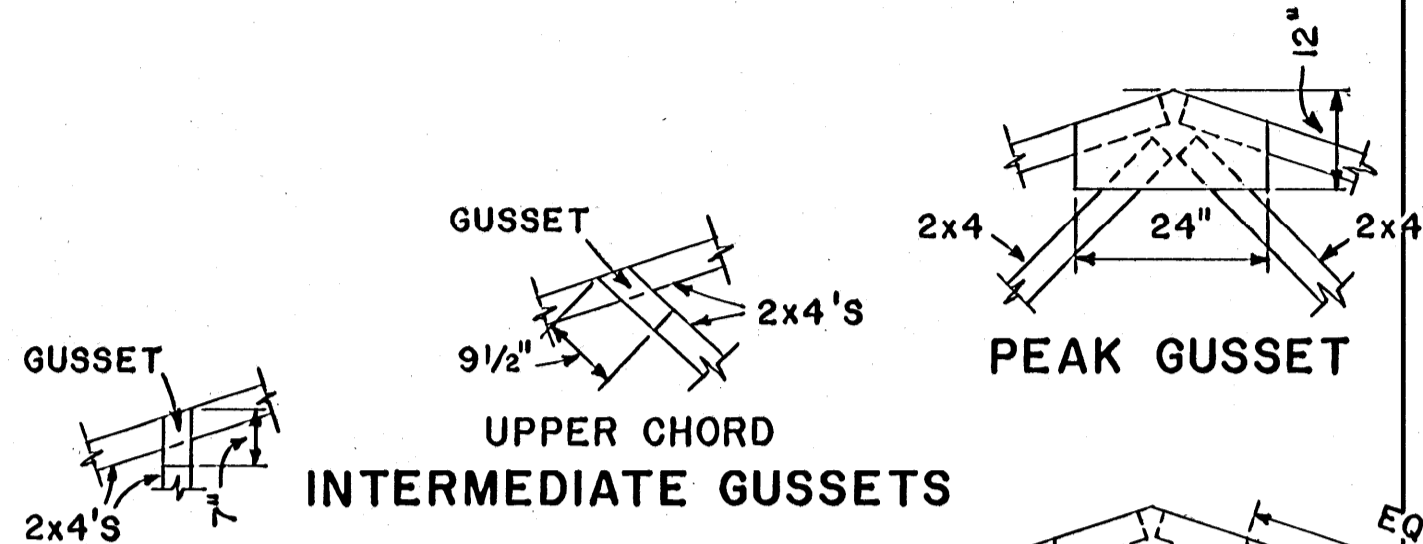
**EAR CORN STORAGE CRIB**  
 CAPACITY-1500 BU.

W. VA.	'74	6182	SHEET 1 OF 3
--------	-----	------	--------------

BASED ON: W. VA. UNIV. PLAN NO. M1-141

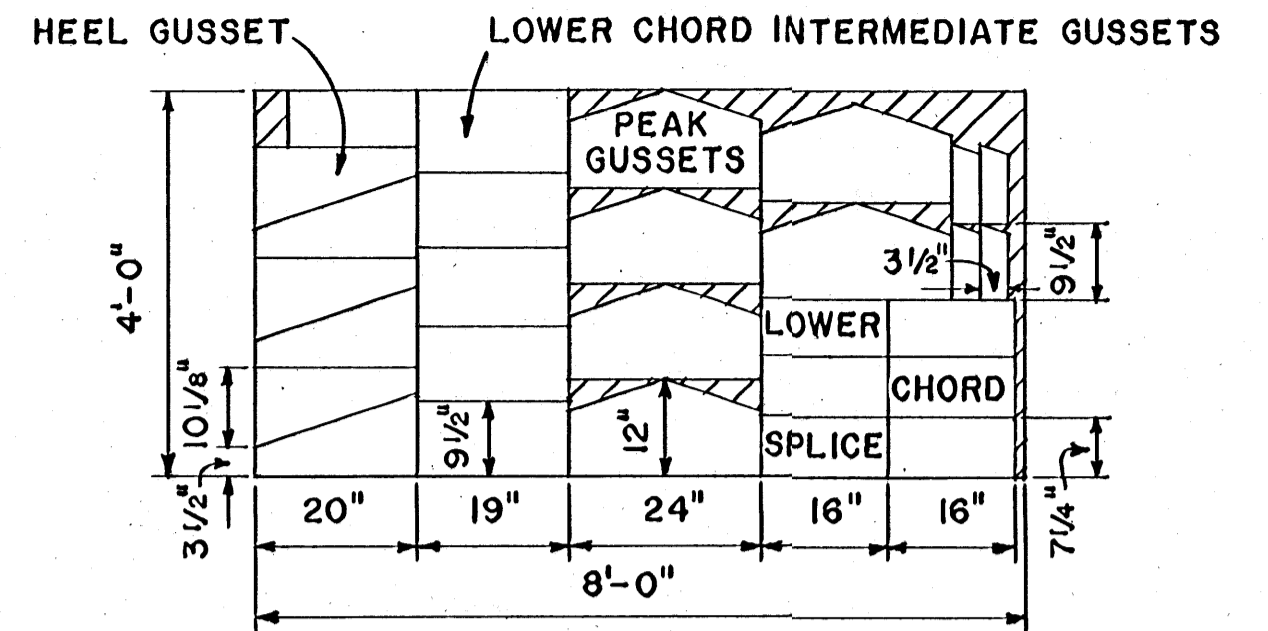
# TRUSS SPECIFICATION

LUMBER:  
 UPPER CHORD 2x4-1500f LUMBER  
 LOWER CHORD 2x4-1200f LUMBER  
 WEB 2x4 CONSTRUCTION GRADE DOUGLAS FIR,  
 LARCH, HEMLOCK OR NO. 2 SOUTHERN PINE.  
 GLUE:  
 RESORCINOL RESIN TYPE  
 NAILS:  
 6d SPACED 4" O.C. TWO ROWS FOR 2x4 MEMBERS.

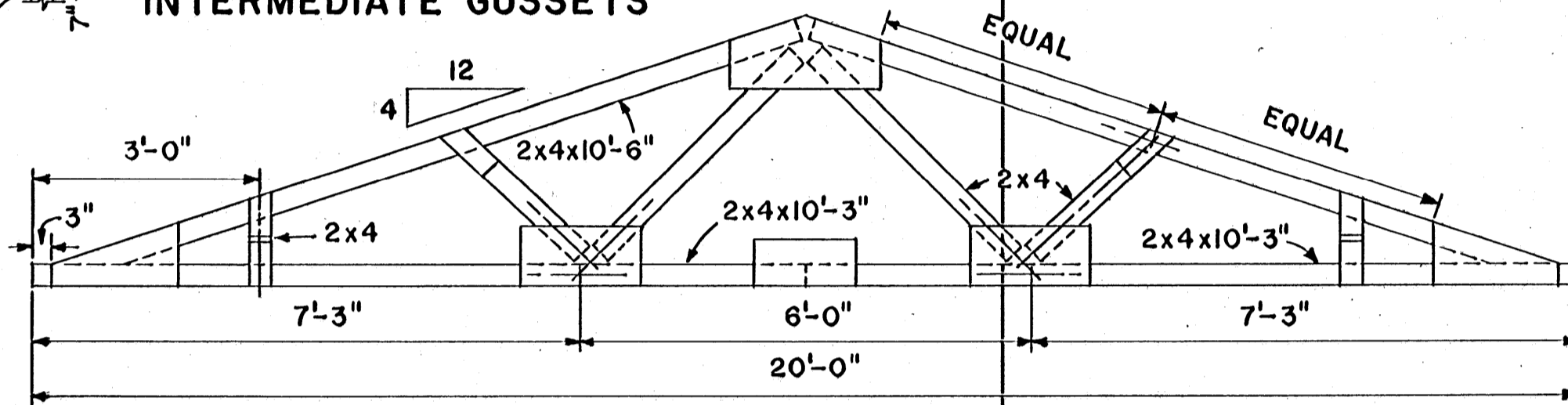


TYPICAL NAIL PATTERN

SCALE: 1 1/2" = 1'-0"  
 12" 9" 6" 3" 0"

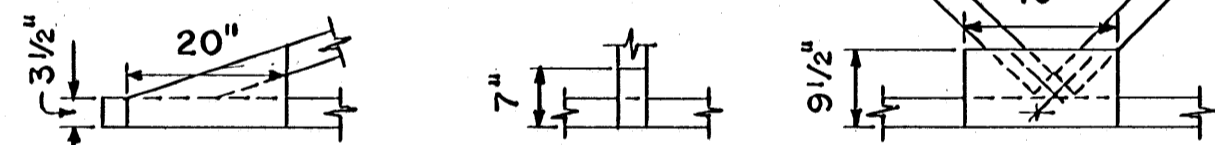


SCALE: 1/2" = 1'-0"

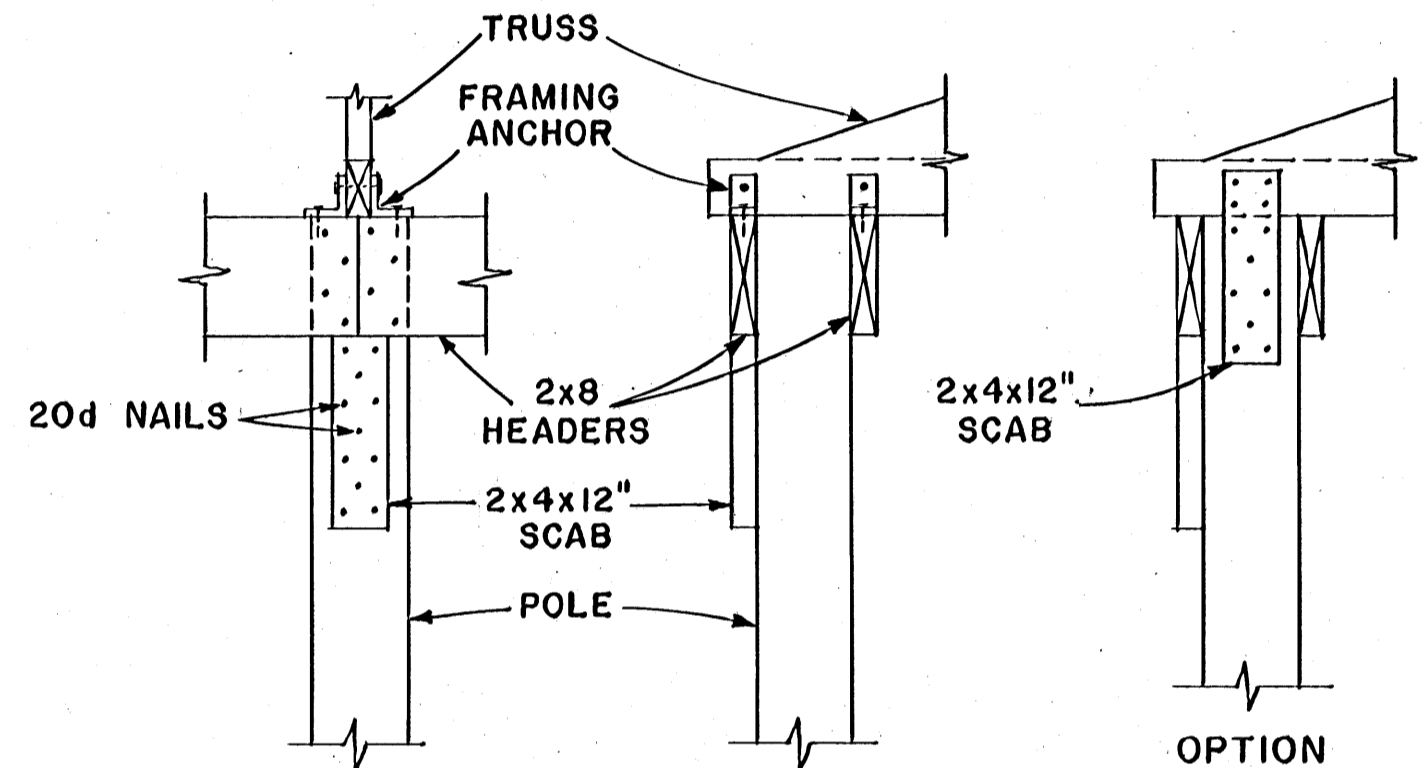
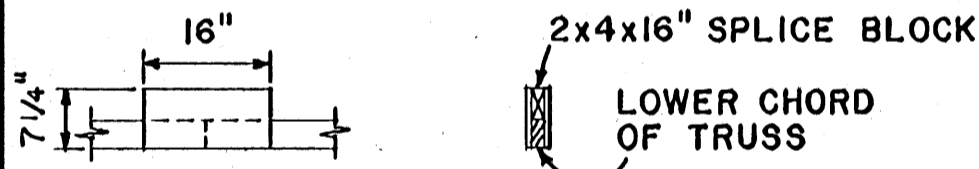


SCALE: 1/2" = 1'-0"  
 12" 6" 0" 1' 2'

HEEL GUSSETS SHOULD BE FABRICATED FLUSH WITH BOTTOM EDGE OF CHORD MEMBER.



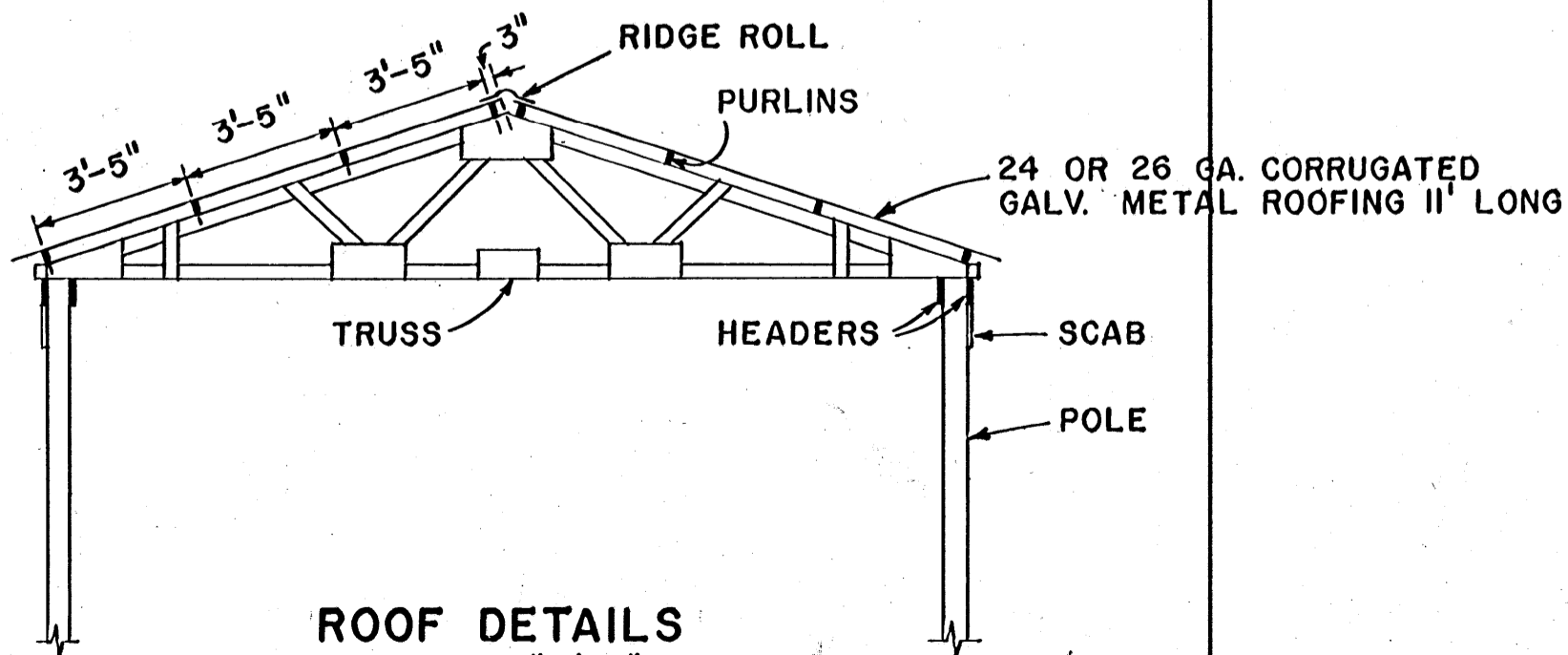
LOCATE GUSSETS AS SHOWN.



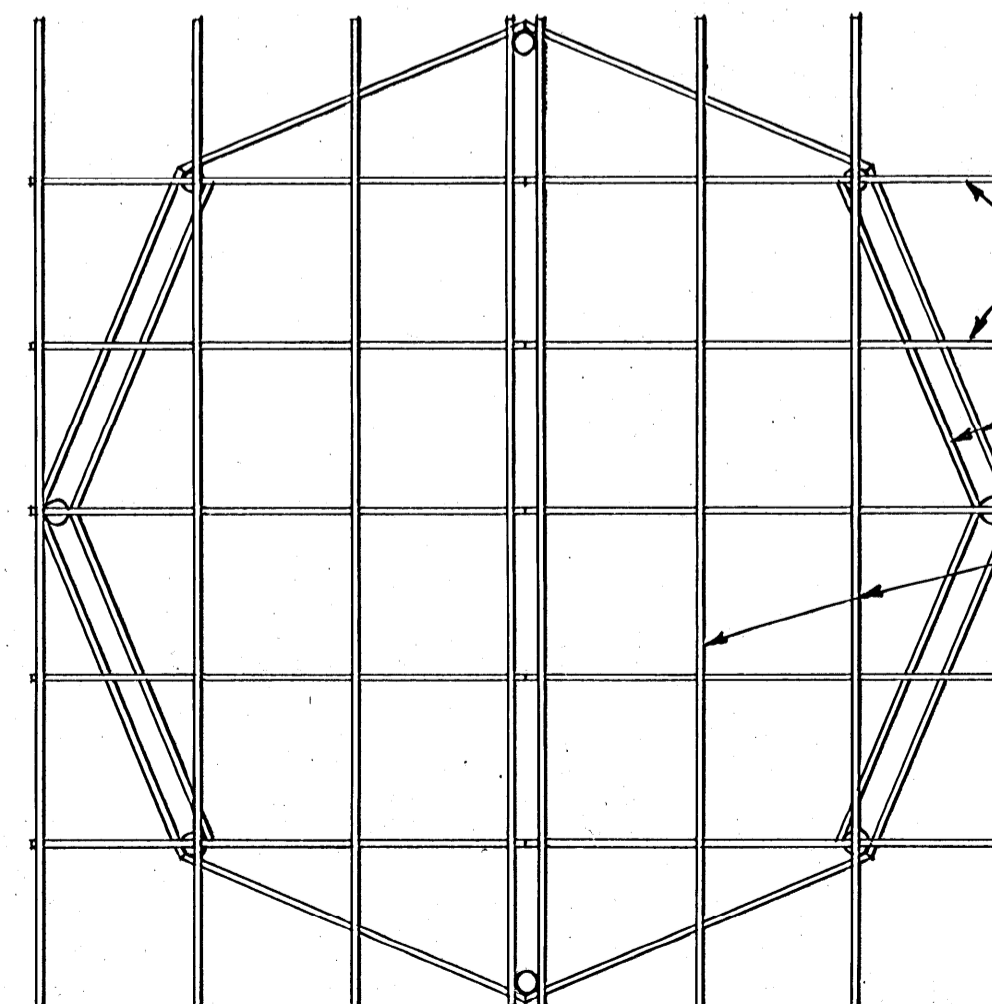
HEADER & TRUSS FASTENING DETAILS

SCALE: 1" = 1'-0"  
 12" 9" 6" 3" 0"

NOTE:  
 GUSSETS ARE CUT FROM PLYWOOD (EXT.-DFPA) 1/2" C-C STRUCTURAL I. FACE GRAIN IS HORIZONTAL ON ALL GUSSETS. THE PLYWOOD GUSSETS ARE ON BOTH SIDES OF THE TRUSSES.



SCALE: 1/4" = 1'-0"  
 12' 6" 0" 1' 2' 3' 4' 5'



TRUSS & PURLIN PLAN

SCALE: 1/4" = 1'-0"

TRUSSES-3 CENTERED ON TOP OF POLES, 2 CENTERED BETWEEN POLES.

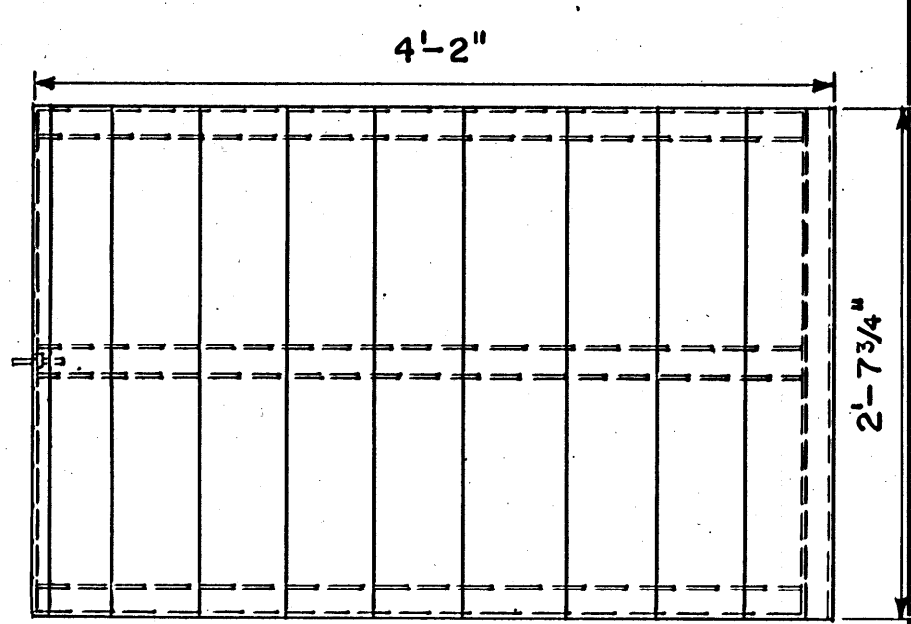
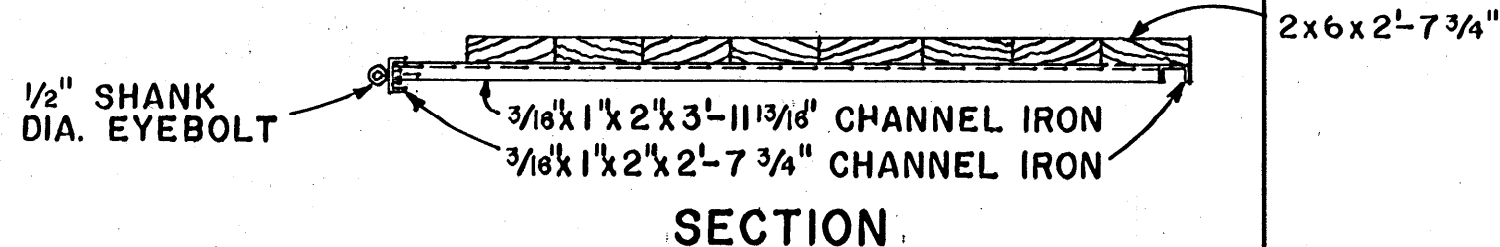
2x8 HEADERS

2x4x20'-6" PURLINS, SEE ROOF DETAILS FOR SPACING.

COOPERATIVE EXTENSION WORK IN  
 AGRICULTURE AND HOME ECONOMICS  
 STATE OF MISSISSIPPI  
 MISSISSIPPI STATE UNIVERSITY  
 AND  
 UNITED STATES DEPARTMENT OF AGRICULTURE COOPERATING

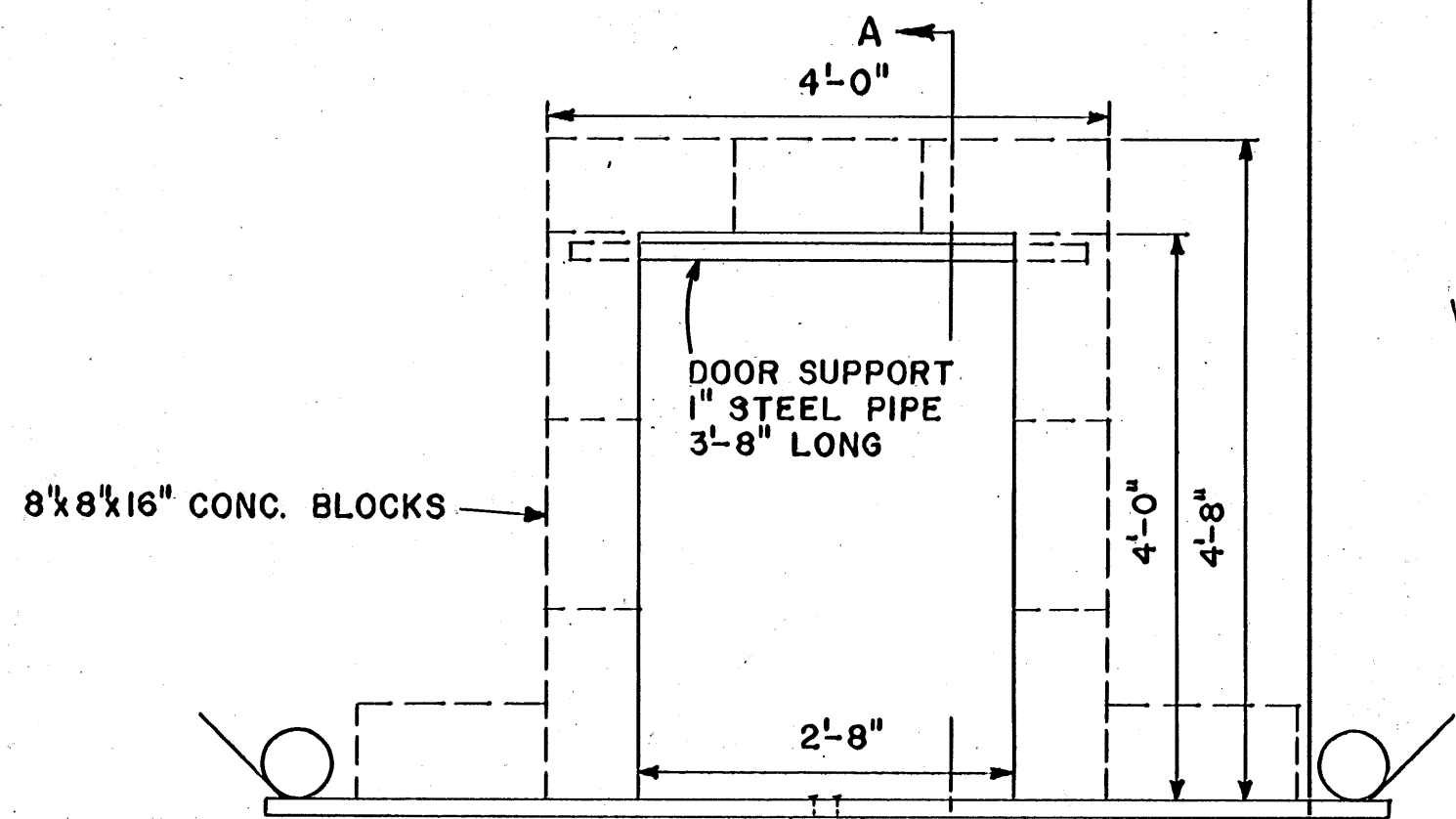
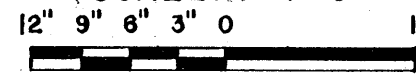
**EAR CORN STORAGE CRIB**  
 CAPACITY-1500 BU.

W. VA. '74      6182      SHEET 2 OF 3



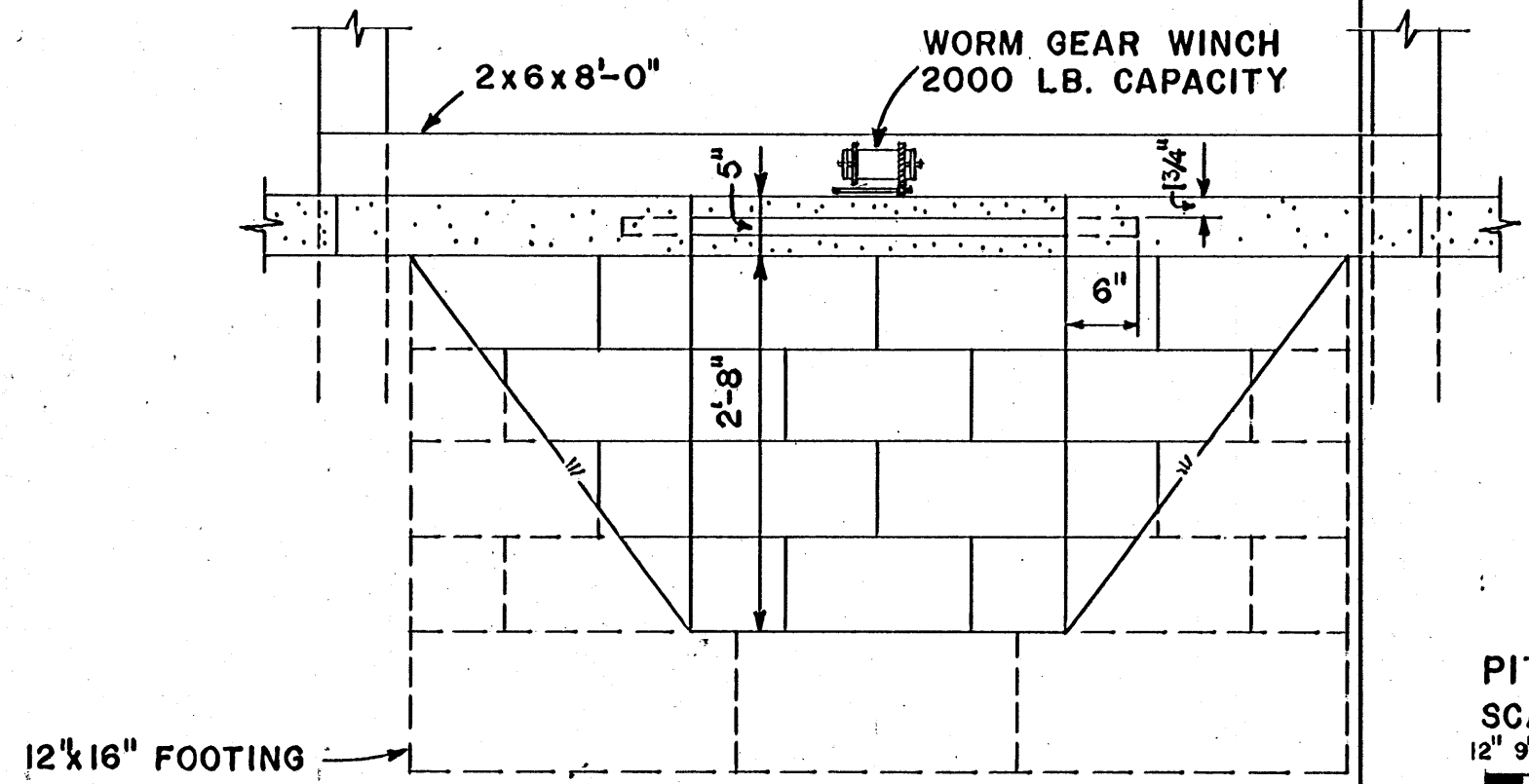
PIT DOOR DETAILS

SCALE: 1" = 1'-0"



PLAN

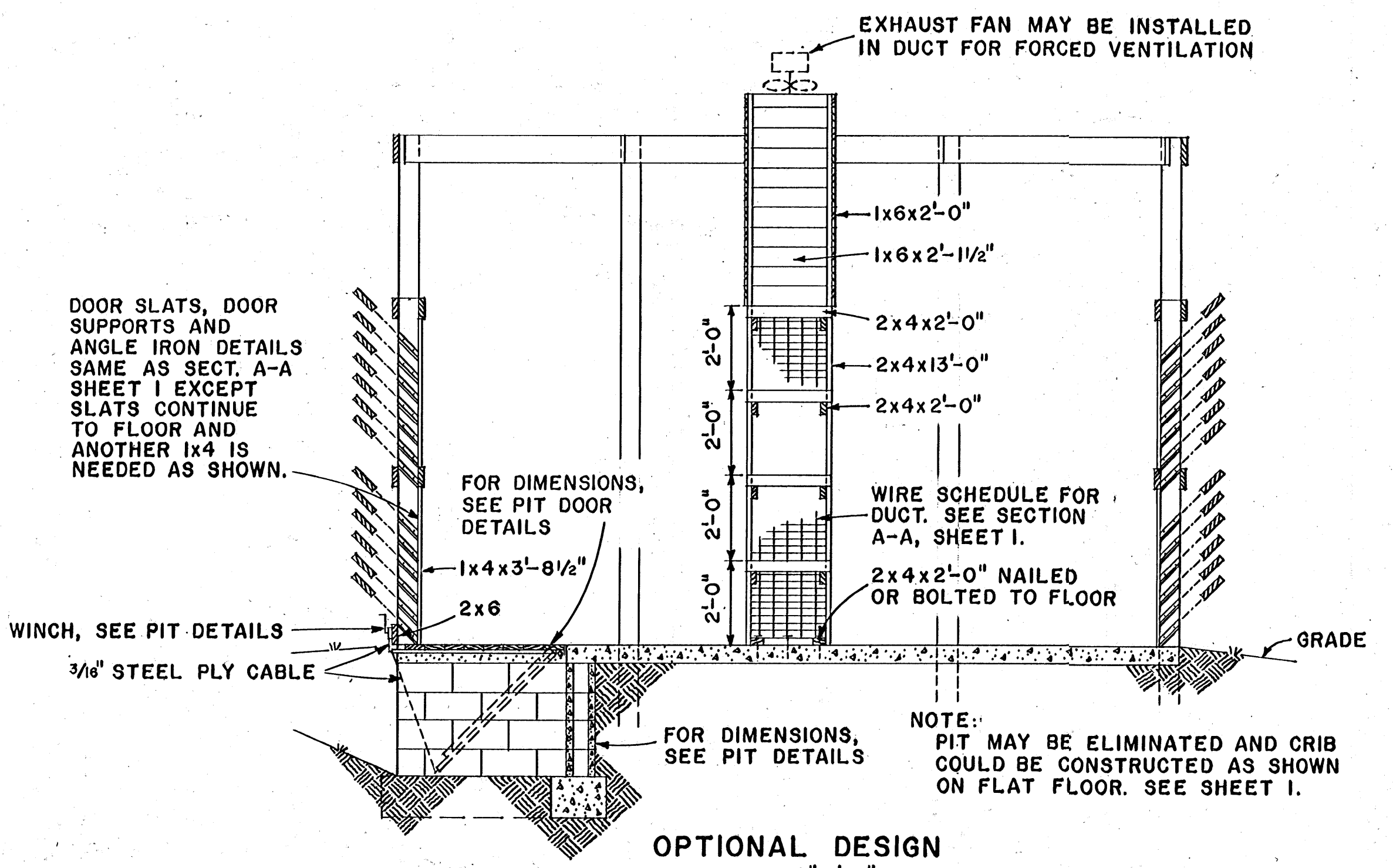
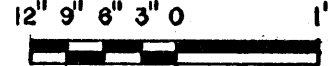
A



ELEVATION

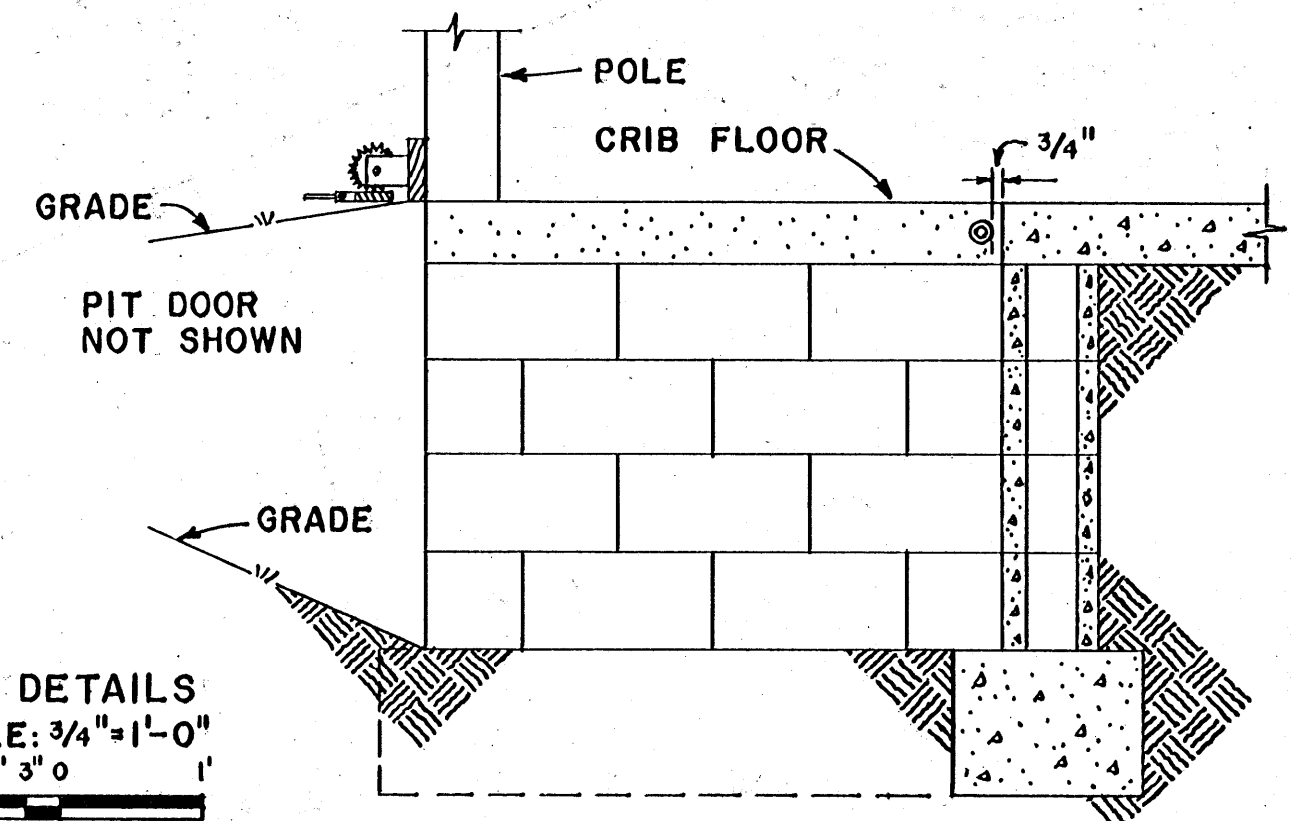
PIT DETAILS

SCALE: 3/4" = 1'-0"



OPTIONAL DESIGN

SCALE: 3/8" = 1'-0"



SECTION A-A

COOPERATIVE EXTENSION WORK IN AGRICULTURE AND HOME ECONOMICS

STATE OF MISSISSIPPI

MISSISSIPPI STATE UNIVERSITY

AND

UNITED STATES DEPARTMENT OF AGRICULTURE COOPERATING

**EAR CORN STORAGE CRIB**

CAPACITY—1500 BU.

W. VA. '74 6182 SHEET 3 OF 3