

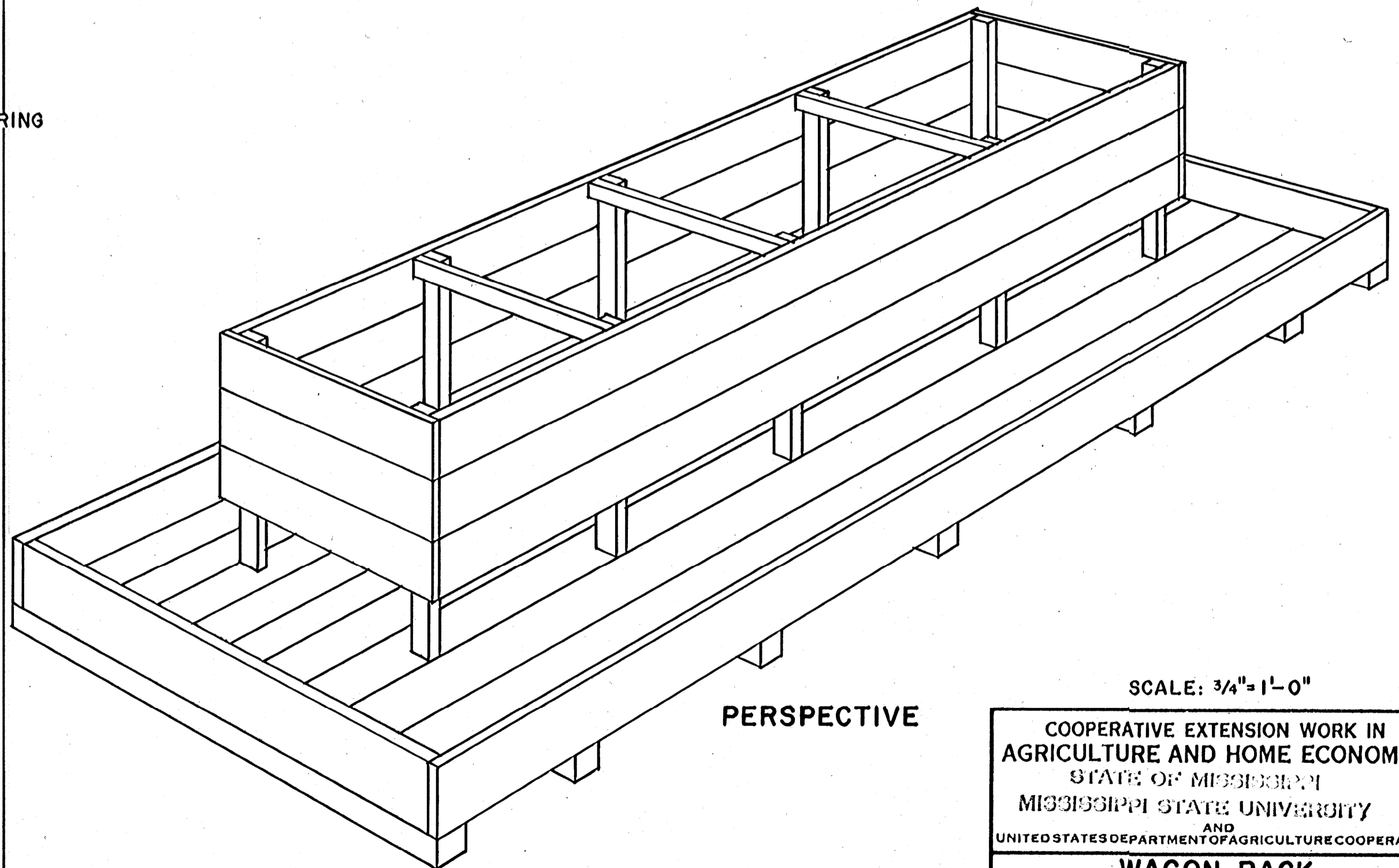
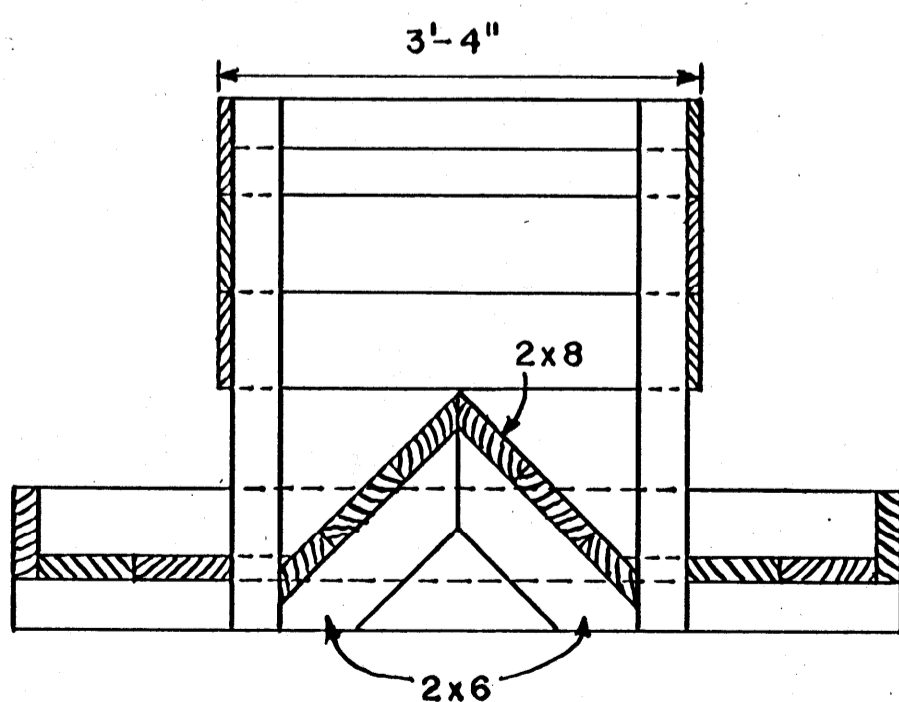
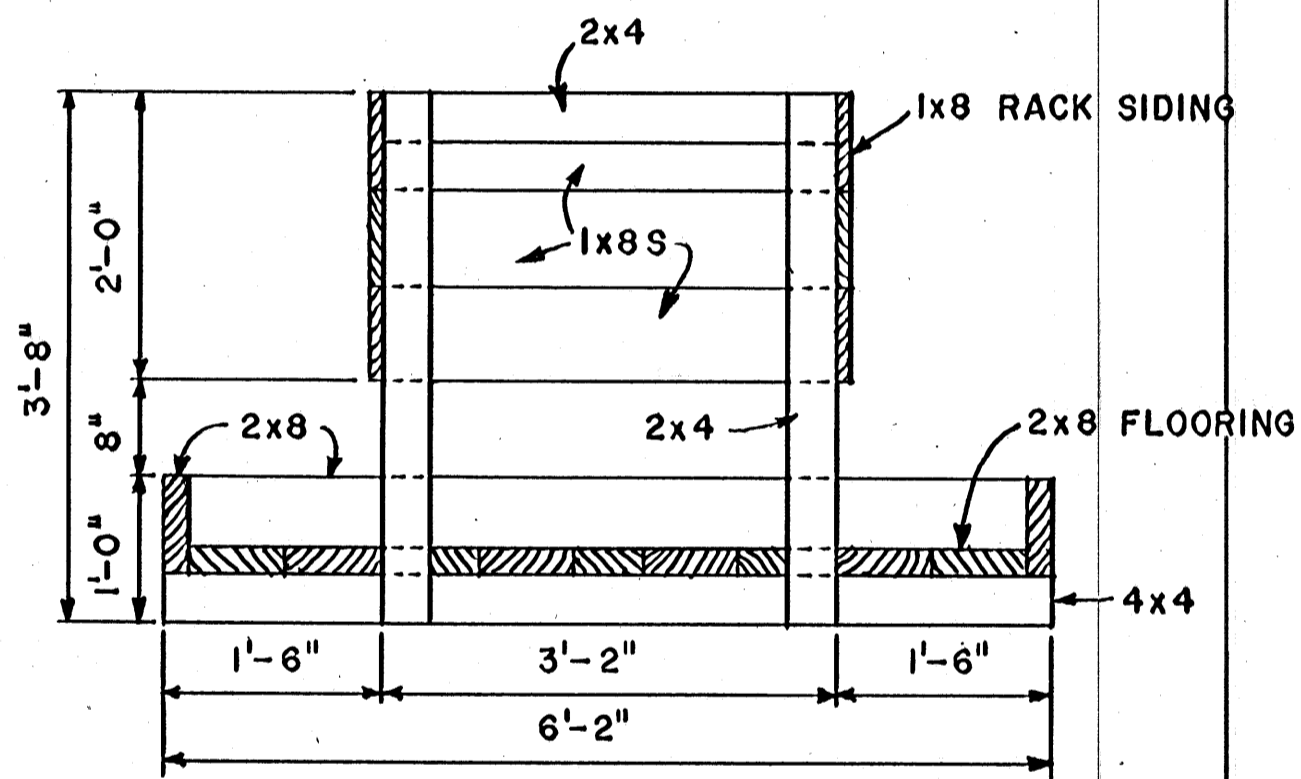
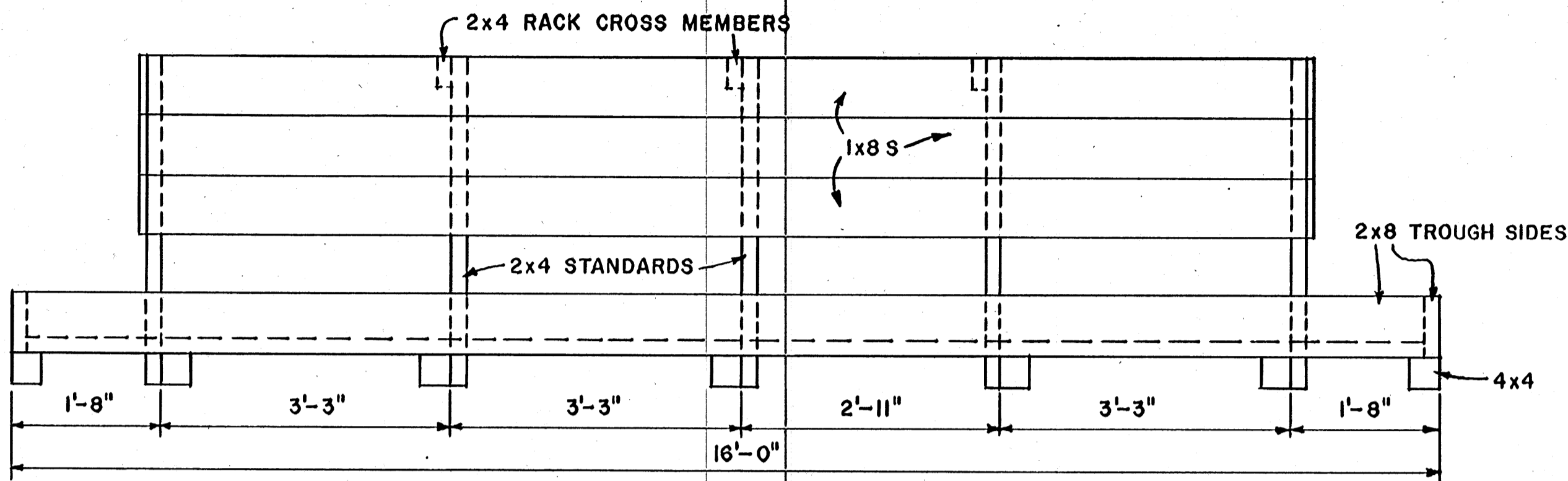
MATERIALS LIST

DESCRIPTION	NO. PCS.	DIMENSION
FLOOR SUPPORTS	7	4x4x6'-2"
FLOOR	9	2x8x15'-8"
FLOOR SIDES	2	2x8x16'-0"
FLOOR ENDS	2	2x8x5'-10"
RACK STANDARDS	10	2x4x3'-8"
RACK CROSS MEMBERS	3	2x4x3'-2"
RACK SIDES	6	1x8x13'-0"
RACK ENDS	6	1x8x3'-4"
NAILS	2 LBS.	8d
NAILS	4 LBS.	16d

OPTIONAL CENTER DIVERTER

FLOOR SUPPORTS	10	2x6x2'-0"
EXTRA FLOORING	1	2x8x13'-0"
	2	2x6x13'-0"

NOTE:
ALL DIMENSIONS BASED ON FULL SIZE LUMBER.



SCALE: 3/4" = 1'-0"

COOPERATIVE EXTENSION WORK IN
AGRICULTURE AND HOME ECONOMICS
STATE OF MISSISSIPPI
MISSISSIPPI STATE UNIVERSITY
AND
UNITED STATES DEPARTMENT OF AGRICULTURE COOPERATING

**WAGON RACK
FOR SILAGE-FEEDING**

PENN. '72 6143 SHEET 1 OF 1

BASED ON PENN. STATE UNIV. PLANS