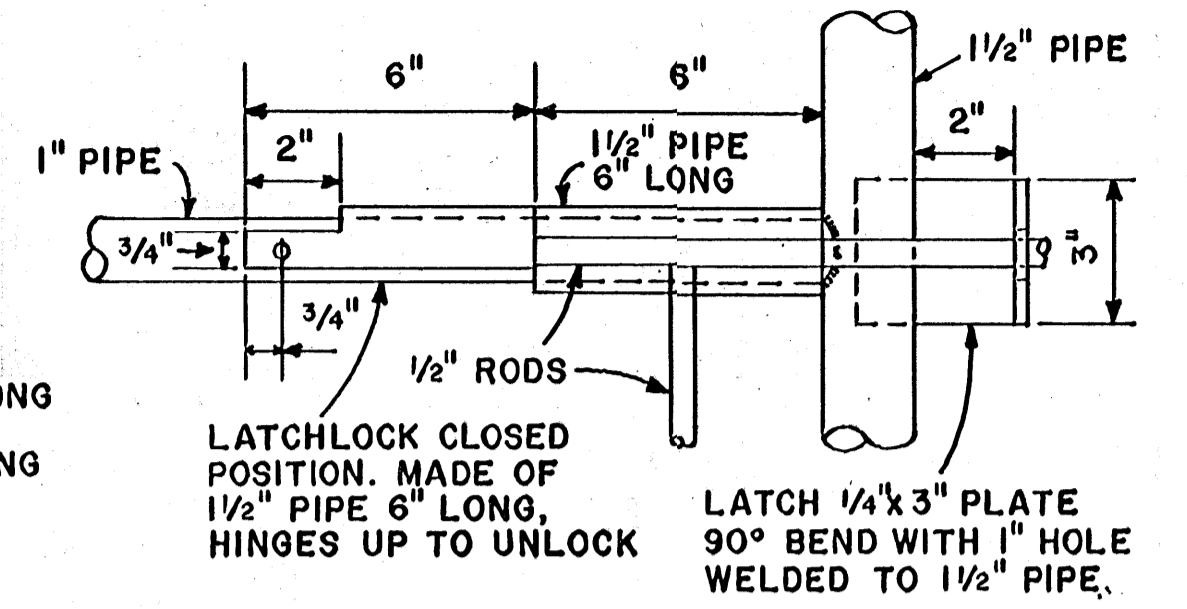
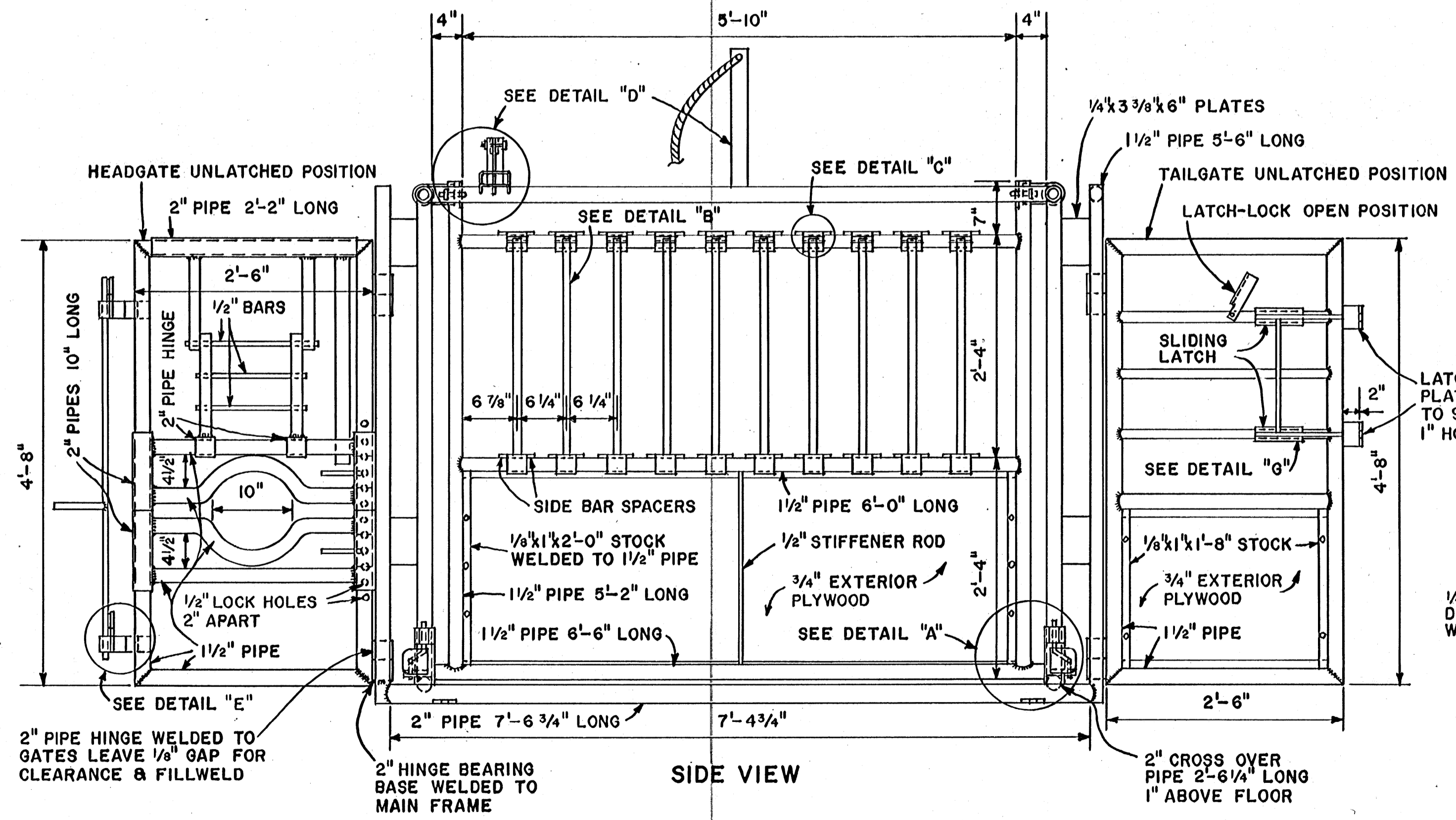


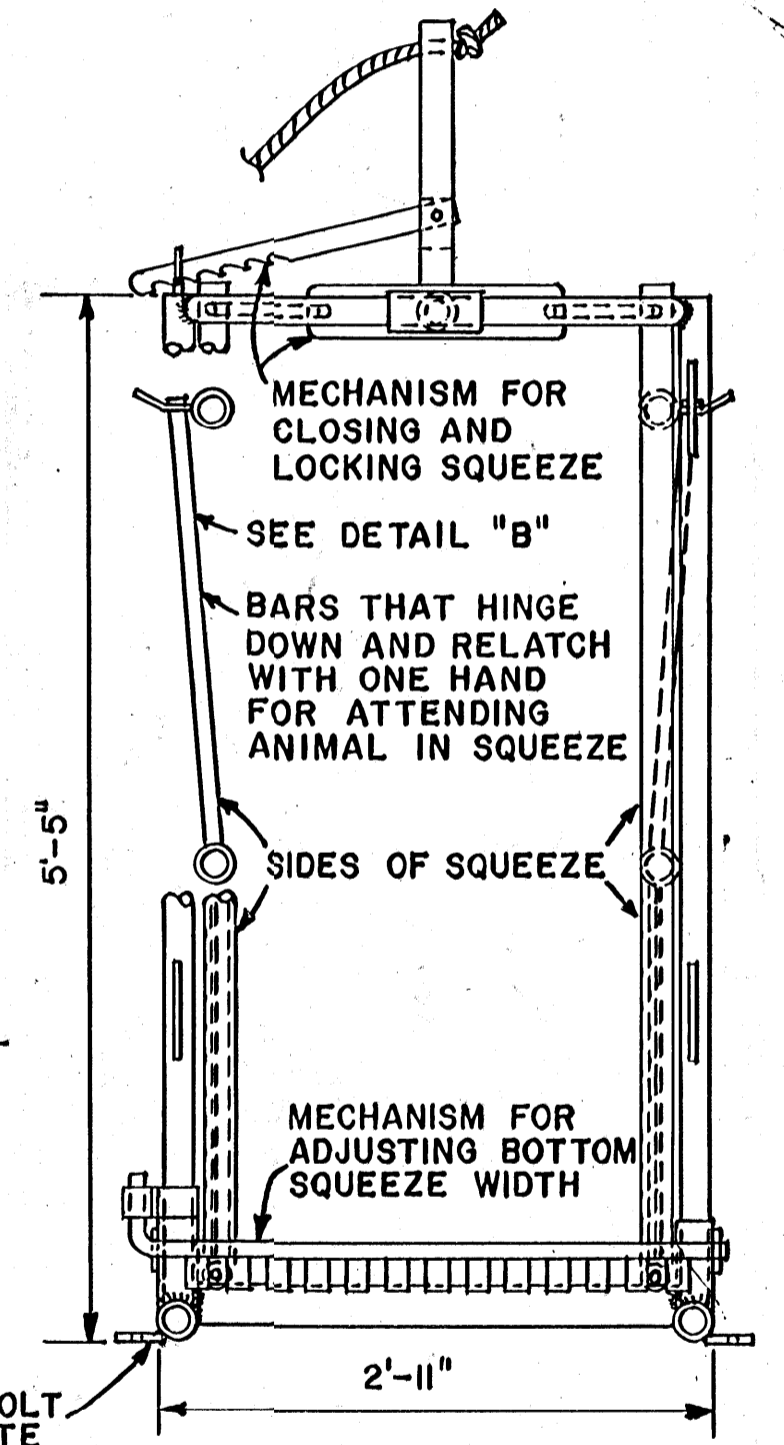
TOP VIEW



DETAIL "G"
TAILGATE LATCH
SCALE: 3"=1'-0"



SIDE VIEW



SECTION "A-A"

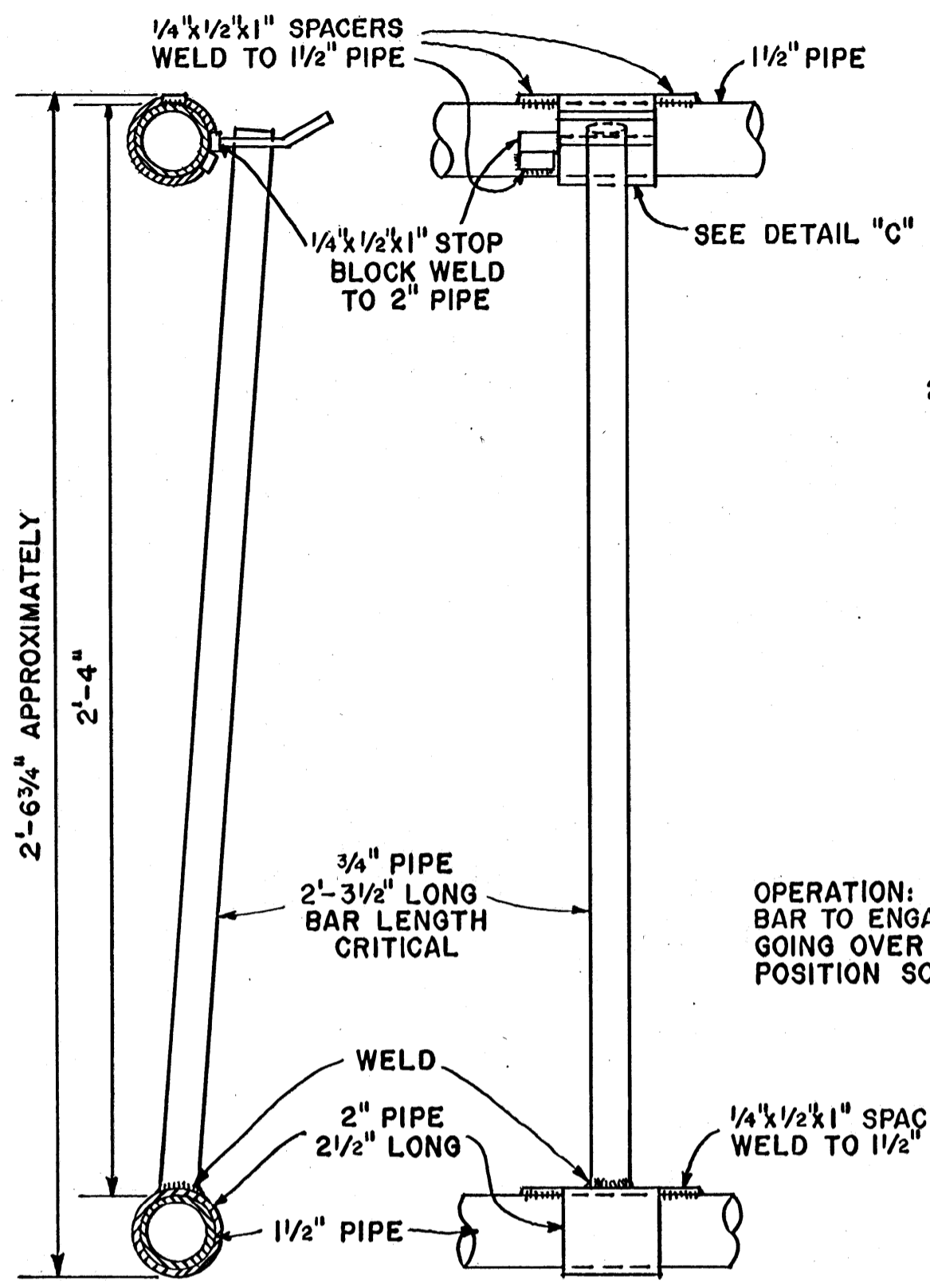
SCALE: 1"=1'-0" EXCEPT AS OTHERWISE NOTED

COOPERATIVE EXTENSION WORK IN AGRICULTURE AND HOME ECONOMICS
 STATE OF MISSISSIPPI
 MISSISSIPPI STATE UNIVERSITY
 UNITED STATES DEPARTMENT OF AGRICULTURE COOPERATING

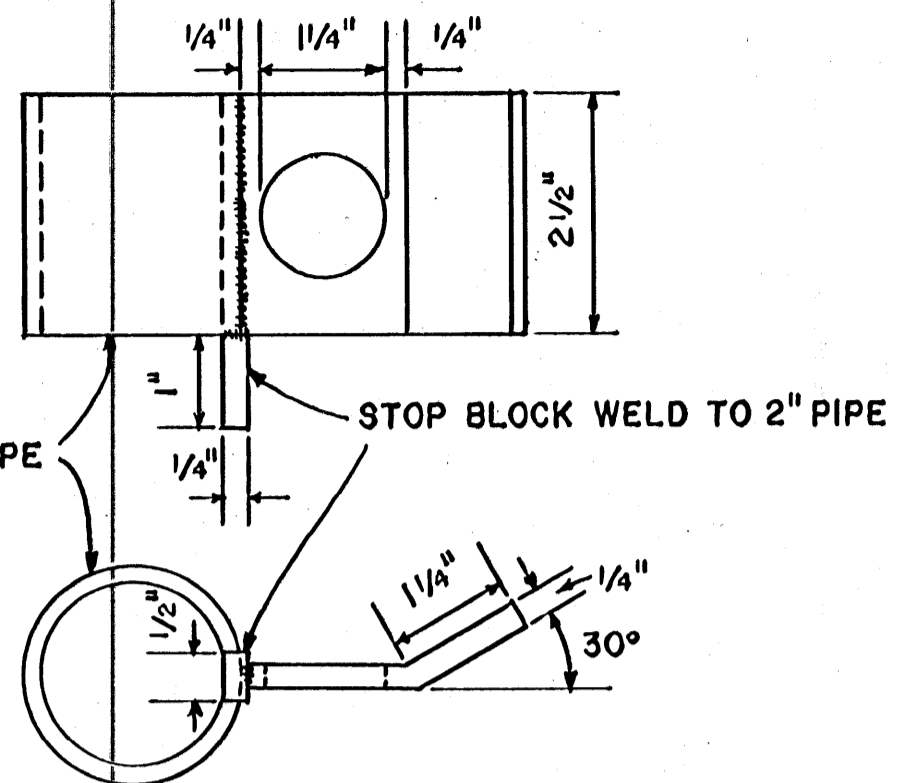
**SQUEEZE CHUTE FOR CATTLE
 VARIABLE WIDTH-TRAILER MOUNTED**

W. VA.	'71	6133	SHEET 1 OF 3
--------	-----	------	--------------

BASED ON: PLAN BE-124
 WEST VIRGINIA UNIV.

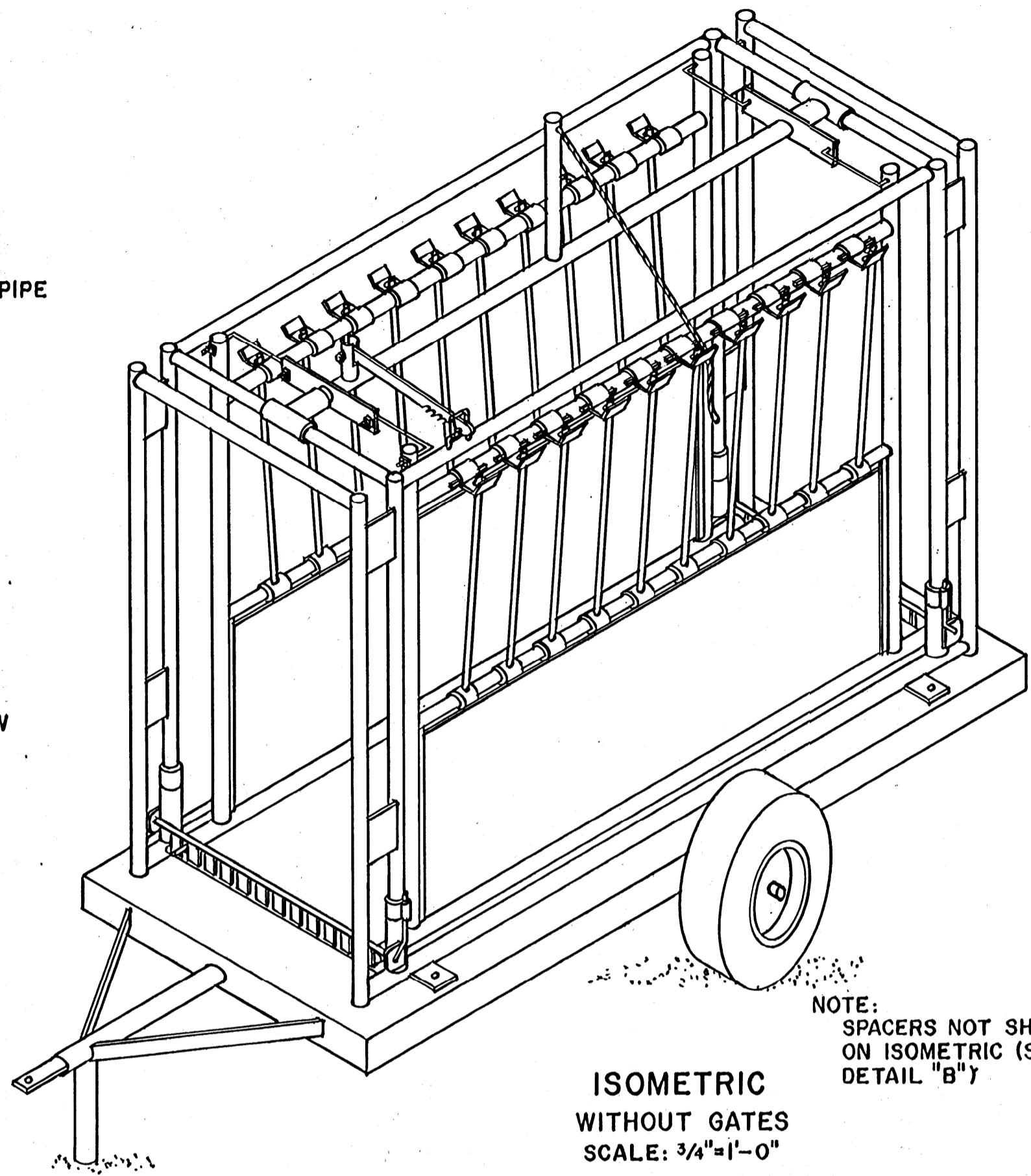


DETAIL "B"



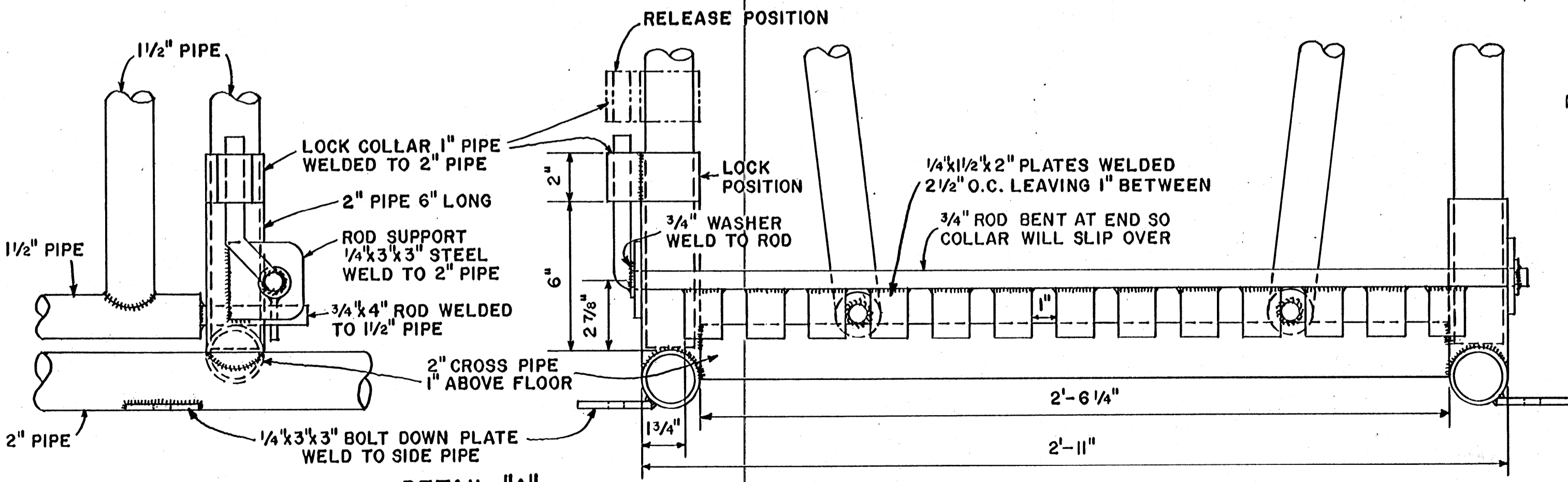
DETAIL "C"
SCALE: HALF SIZE

OPERATION: PUSH BAR AGAINST CLIP WHICH RAISES TO ALLOW BAR TO ENGAGE. STOPS AND SPACERS PREVENT CLIP FROM GOING OVER TOP OR FROM DROPPING BELOW HORIZONTAL POSITION SO BAR WILL ENGAGE CLIP.



ISOMETRIC
WITHOUT GATES
SCALE: 3/4"=1'-0"

NOTE:
SPACERS NOT SHOWN
ON ISOMETRIC (SEE
DETAIL "B")



DETAIL "A"

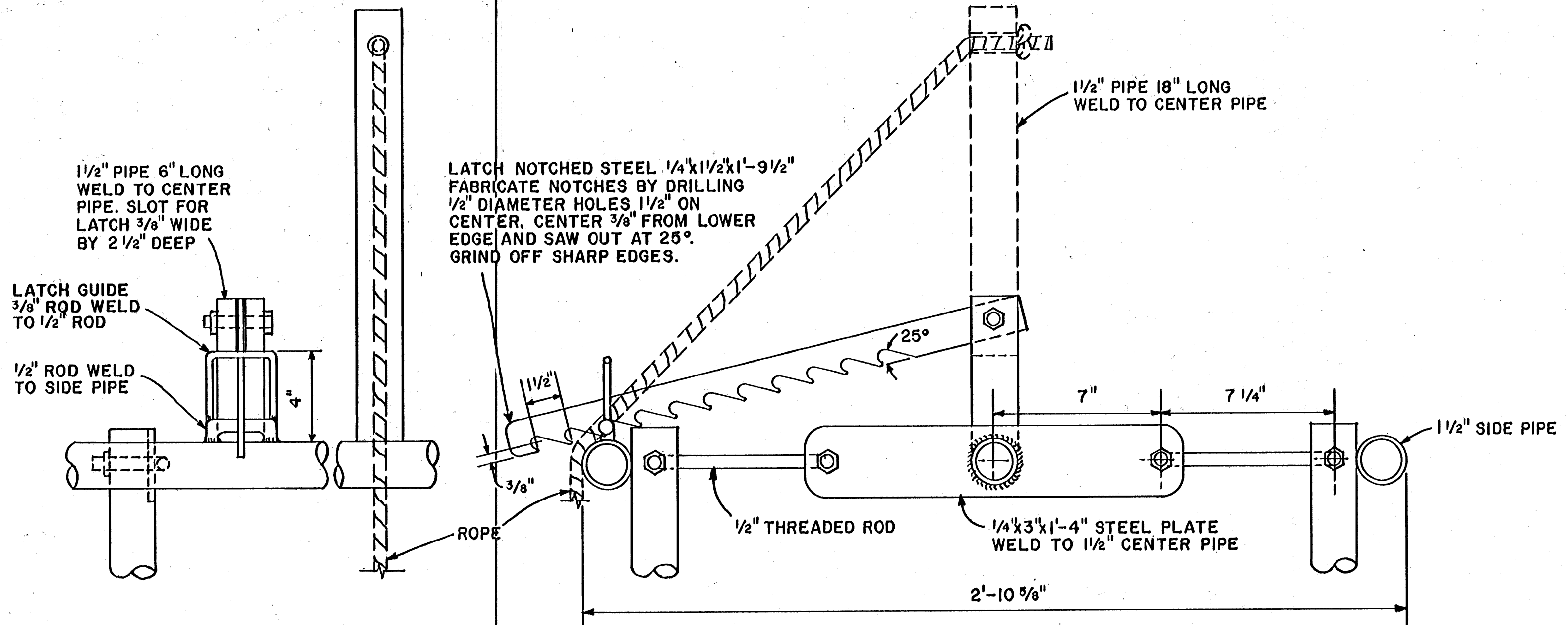
NOTE:
CHUTE CAN BE MOUNTED ON STANDARD
TRAILER OR ON SCALE TRAILER.
TRAILER WITH RETRACTABLE WHEELS
WILL PERMIT CHUTE TO BE LOWERED
TO GROUND LEVEL.

SCALE: 3/4"=1'-0" EXCEPT AS
OTHERWISE NOTED.

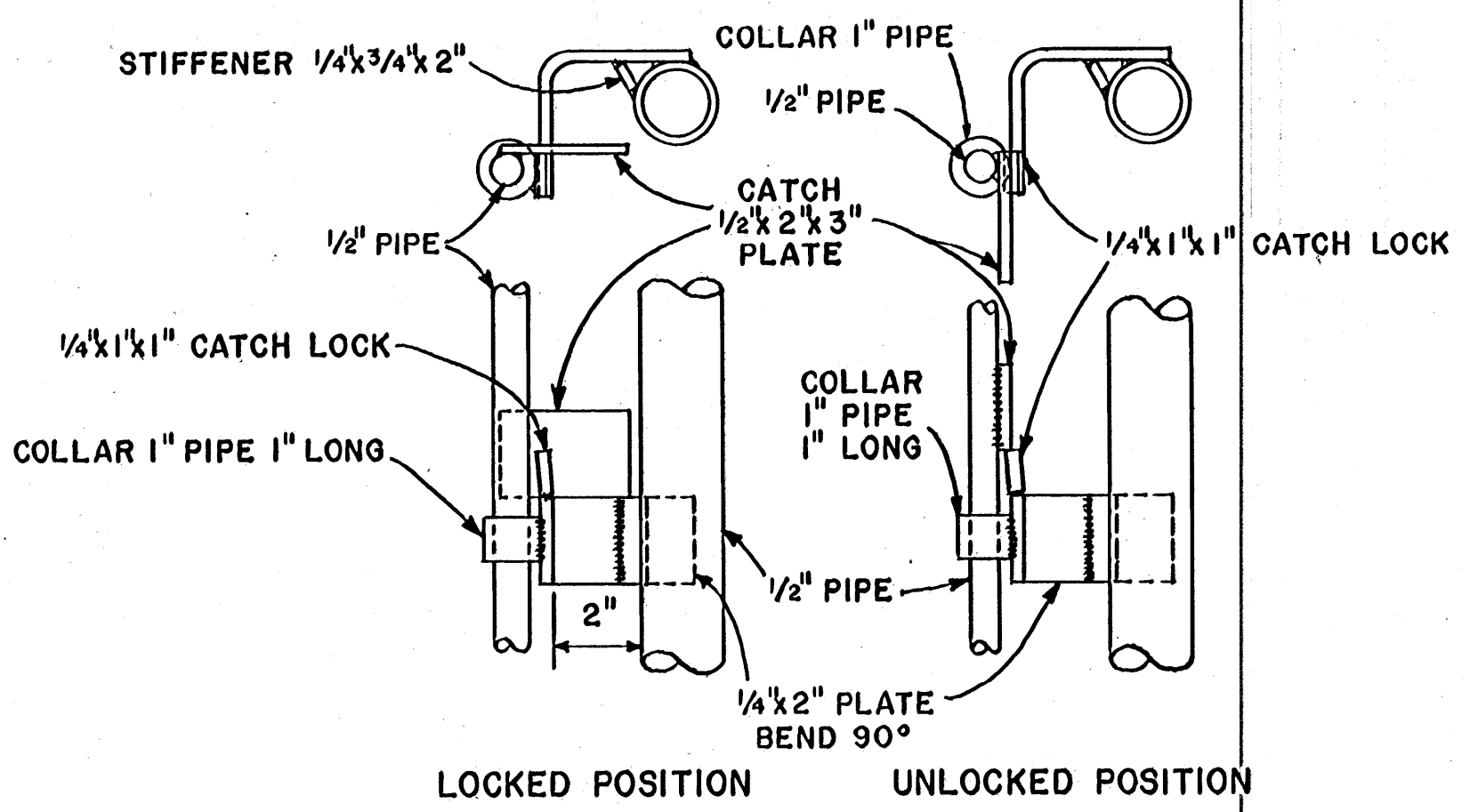
COOPERATIVE EXTENSION WORK IN
AGRICULTURE AND HOME ECONOMICS
STATE OF MISSISSIPPI
MISSISSIPPI STATE UNIVERSITY
AND
UNITED STATES DEPARTMENT OF AGRICULTURE COOPERATING

SQUEEZE CHUTE FOR CATTLE
VARIABLE WIDTH-TRAILER MOUNTED

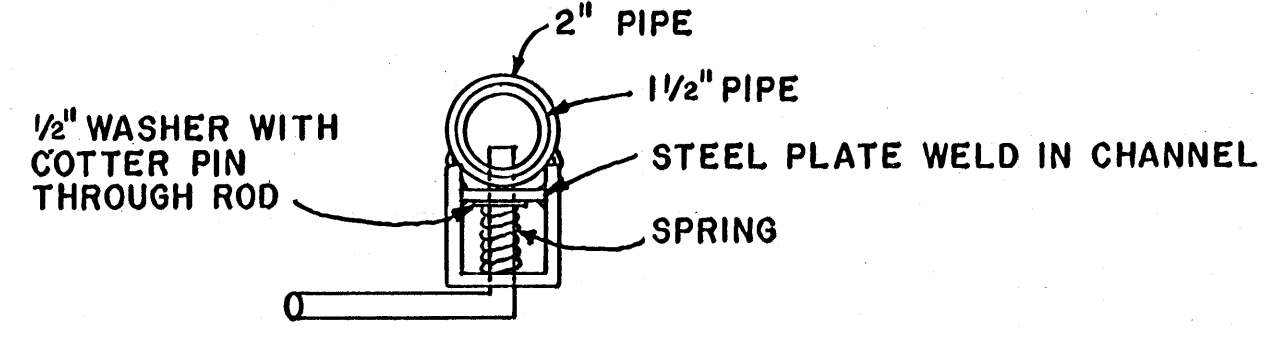
W. VA. '71 6133 SHEET 2 OF 3



DETAIL "D"



DETAIL "E"



DETAIL "F"

SCALE: 3"=1'-0" EXCEPT AS OTHERWISE NOTED.

COOPERATIVE EXTENSION WORK IN AGRICULTURE AND HOME ECONOMICS		
STATE OF MISSISSIPPI		
MISSISSIPPI STATE UNIVERSITY		
AND UNITED STATES DEPARTMENT OF AGRICULTURE COOPERATING		
SQUEEZE CHUTE FOR CATTLE		
VARIABLE WIDTH - TRAILER MOUNTED		
W. VA.	'71	6133
		SHEET 3 OF 3