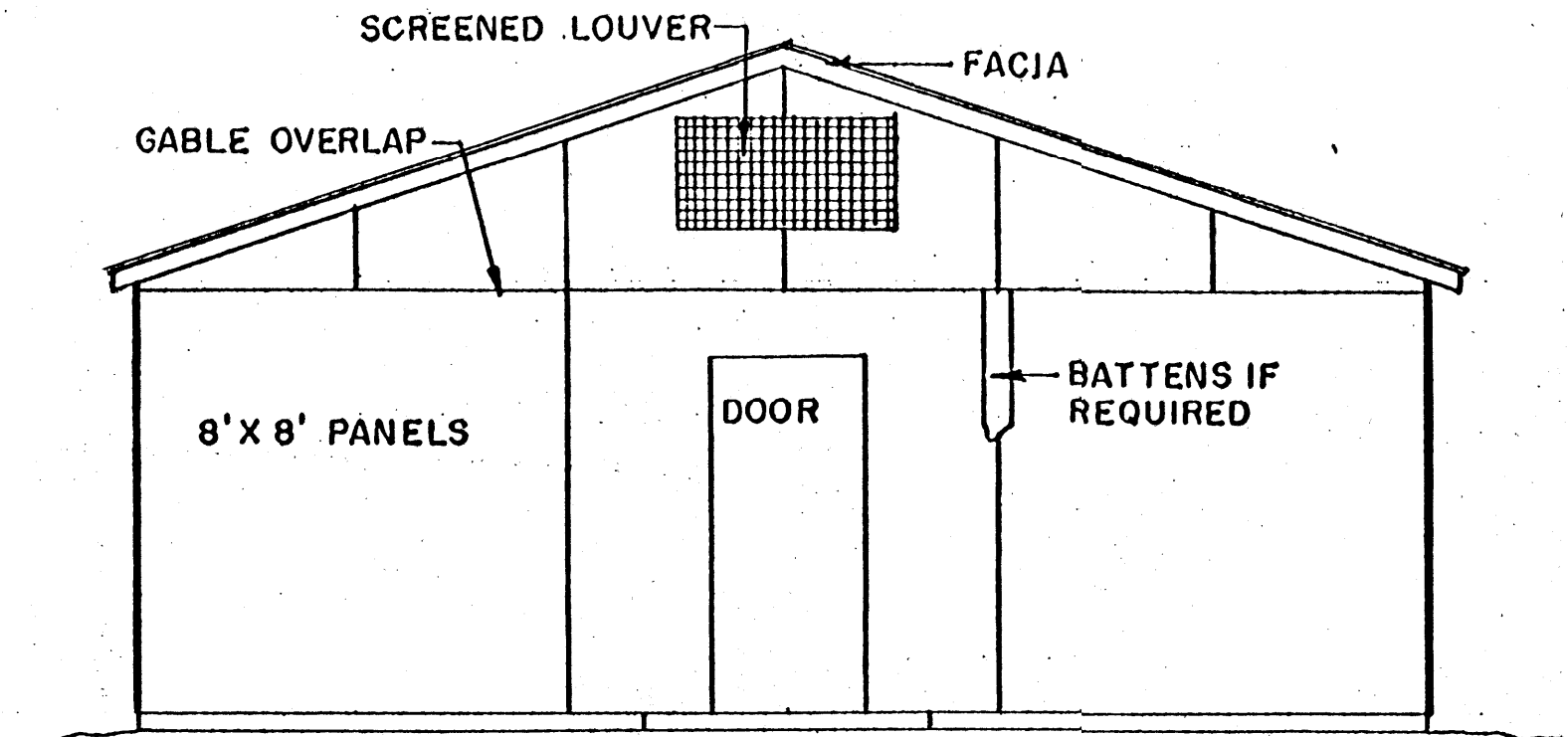
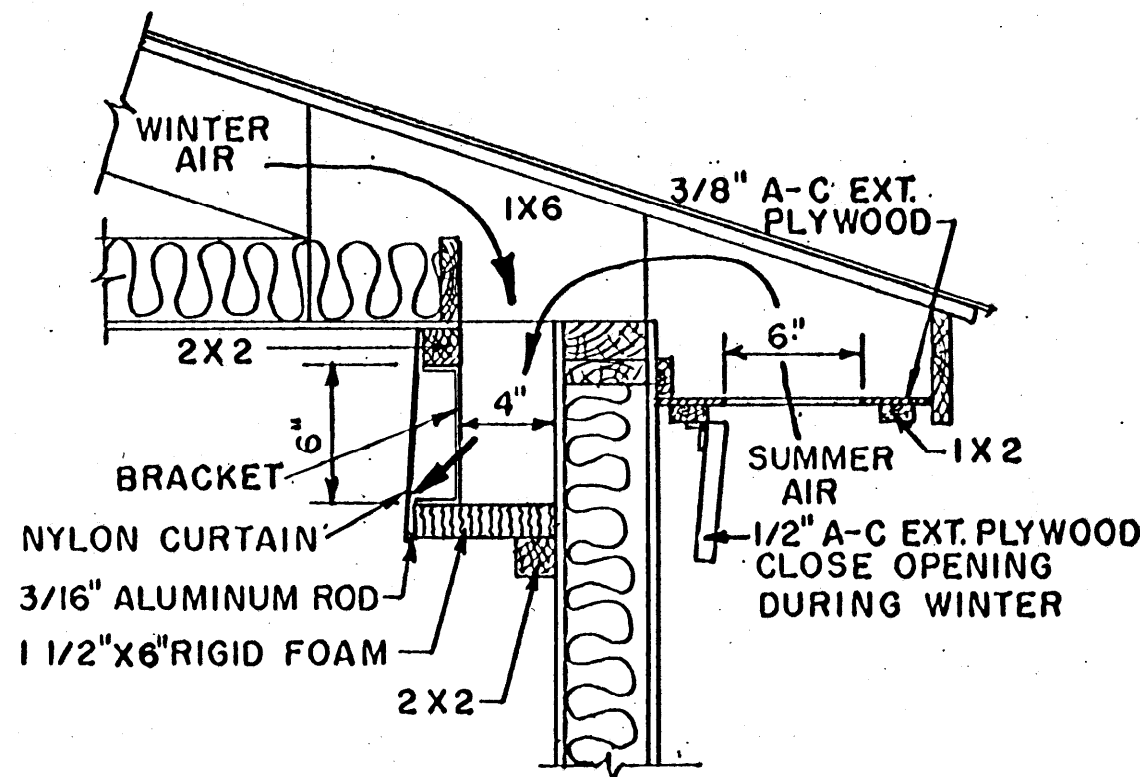


VENTILATION INLET SYSTEM, ALTERNATE NO. 1



SIDING OPTIONS, (ALL SIDING 3/8" EXT. TYPE DFPA PLYWOOD)
 1. MEDIUM DENSITY OVERLAY, PREMIUM PERFORMANCE AS PAINTED PANEL.
 2. A-C OR B-C EXT. SANDED, FINISH SUITABLE FOR PAINTING.
 3. C-C EXT. ROUGH FINISH, SUITABLE FOR STAIN APPLICATION.

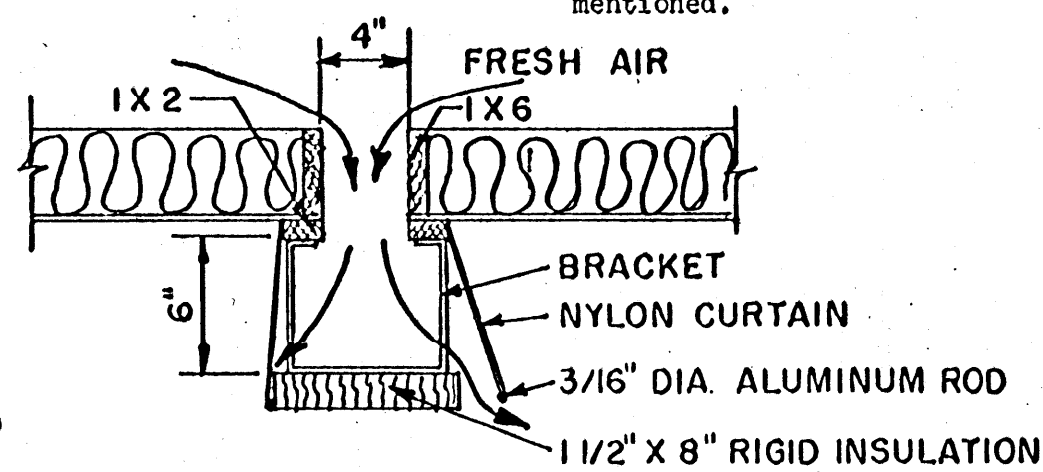
This design is based on the use of American Plywood Association Grade-Trademarked plywood. Structural deficiencies may result with the substitution of materials. Because erection of the structure cannot be supervised no liability can be assumed by the designer or the American Plywood Association. Mention of a trade name does not constitute a guarantee or warranty of the product by the U.S. Department of Agriculture or an endorsement by the Department over other products not mentioned.



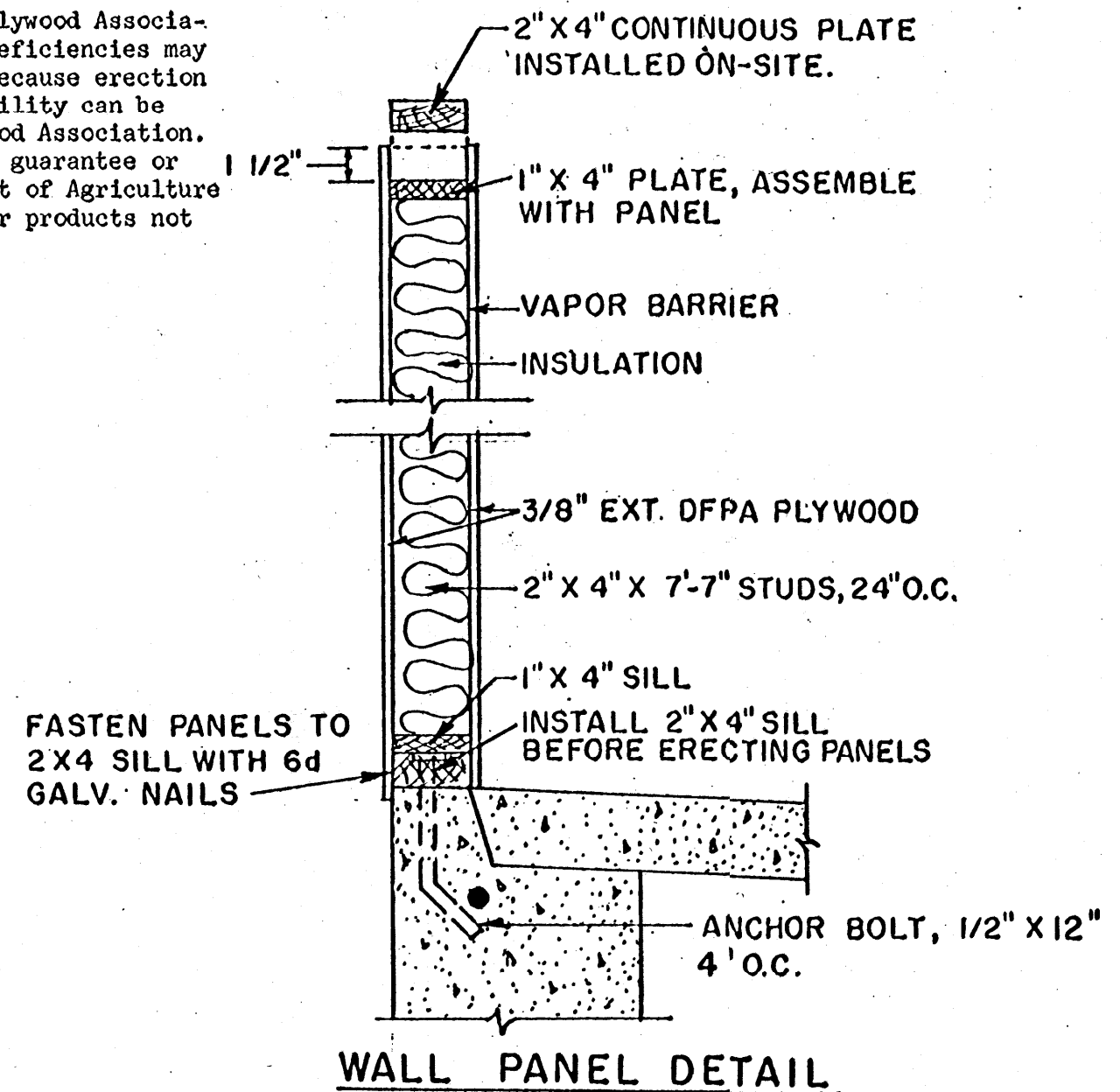
SLOT INLET ON SIDE.

VENTILATION INLET SYSTEM, ALTERNATE NO. 2

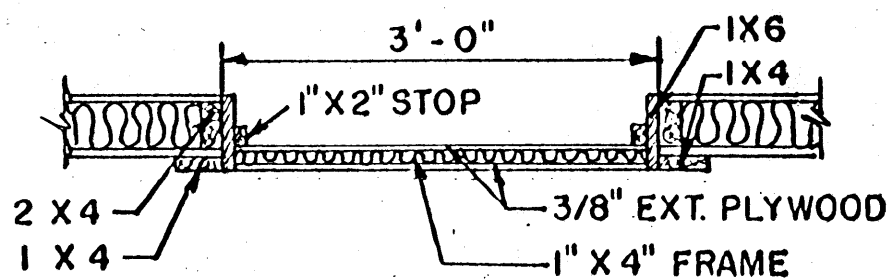
INLETS ARE CONTINUOUS



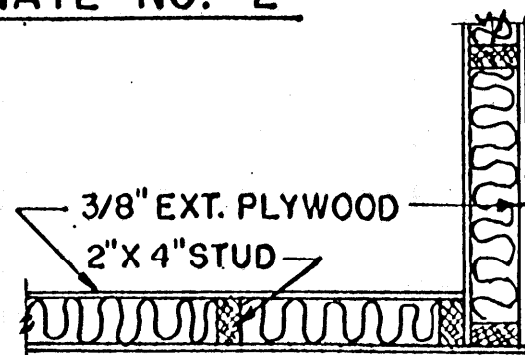
SLOT INLET IN CENTER



WALL PANEL DETAIL



DOOR DETAIL



CORNER DETAIL

PANEL DETAILS

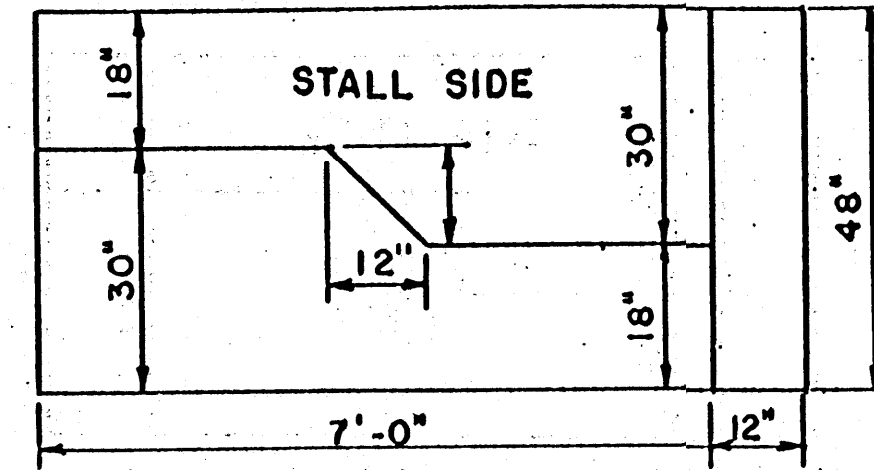
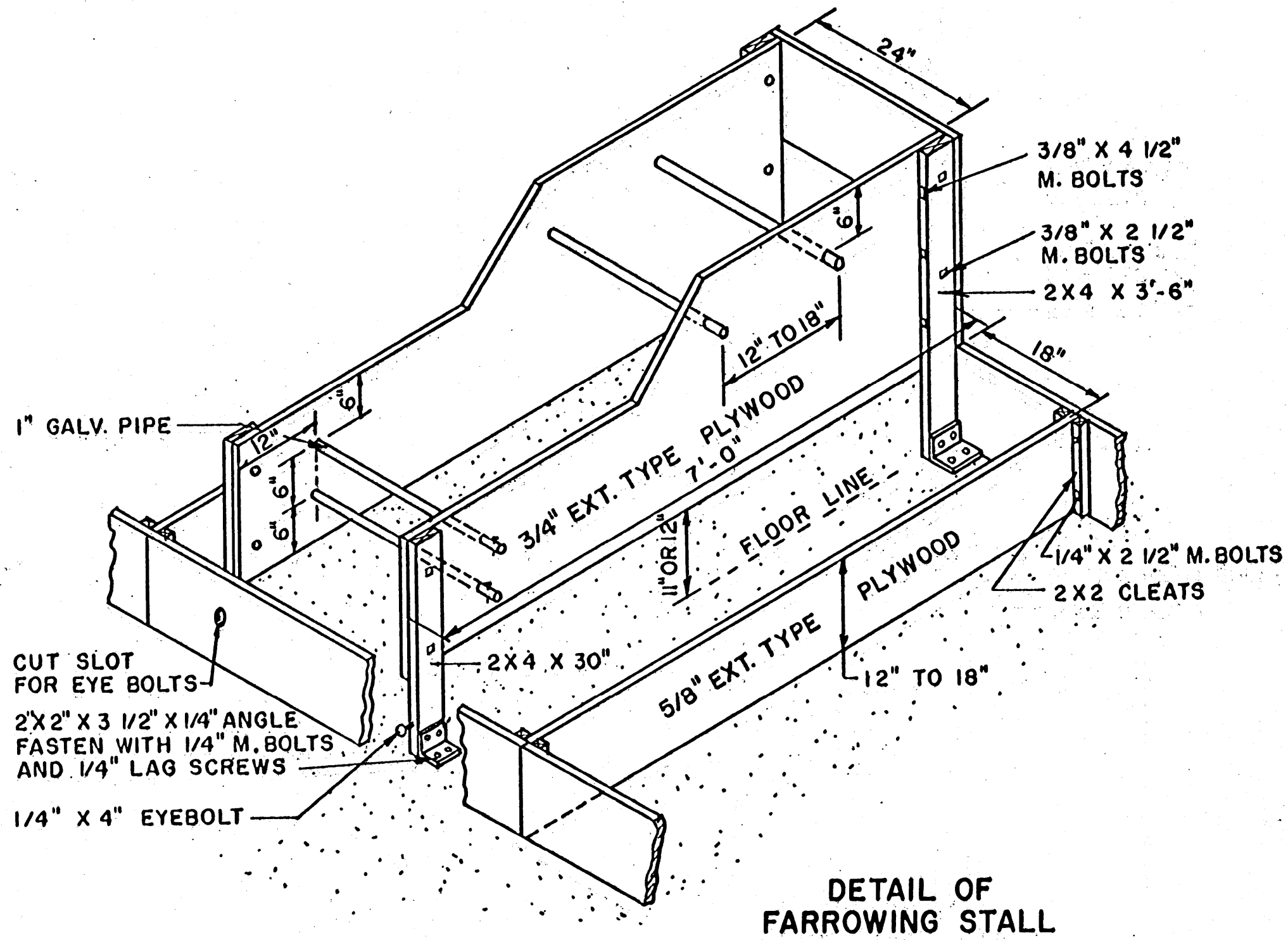
THE PLYWOOD USE RECOMMENDATIONS CONTAINED IN THIS PUBLICATION ARE BASED UPON THE ASSOCIATION'S CONTINUING PROGRAM OF LABORATORY TESTING, PRODUCT RESEARCH AND COMPREHENSIVE FIELD EXPERIENCE.

BEST PERFORMANCE DEPENDS UPON THE USE OF QUALITY PLYWOOD, IDENTIFIED BY AMERICAN PLYWOOD ASSOCIATION GRADE-TRADEMARKS, PROPERLY APPLIED IN ACCORDANCE WITH THESE RECOMMENDATIONS.

COOPERATIVE EXTENSION WORK IN
 AGRICULTURE AND HOME ECONOMICS
 STATE OF MISSISSIPPI
 MISSISSIPPI STATE UNIVERSITY
 AND
 UNITED STATES DEPARTMENT OF AGRICULTURE COOPERATING

FARROWING HOUSE
 24'x48'

APA '71 6122 SHEET 2 OF 3



PLYWOOD CUTTING DIAGRAM
3/4" EXT. TYPE PLYWOOD

MATERIALS LIST

PLYWOOD	ALL EXTERIOR-TYPE (EXT.-DFPA) C-C GRADE ALTERNATE — PLYFORM OR A-C EXT.
STALL SIDES	1 — 4' X 8' X 3/4"
STALL END	1 — 2'-4 1/2" X 2'-6" X 3/4"
DIVIDER PARTITIONS (12" HIGH)	1 — 4' X 8' X 5/8"
LUMBER	2 — 2X6 X 6' 1 — 2X2 X 10'
HARDWARE	10' 1" GALV. PIPE 8 — 3/8" X 2 1/2" MACHINE BOLT 16 — 1/4" X 2 1/2" " " 8 — 3/8" X 4 1/2" " " 8 — 1/4" X 2" " " 2 — 1/4" X 4" EYE BOLT 4 — 3 1/2" X 2" X 2" X 1/4" ANGLE BRACKETS 8 — 1/4" X 2" LAG BOLTS WITH EXPANSION SHIELDS 8 — COTTER PINS OR NAILS

COOPERATIVE EXTENSION WORK IN
AGRICULTURE AND HOME ECONOMICS
STATE OF MISSISSIPPI
MISSISSIPPI STATE UNIVERSITY
AND
UNITED STATES DEPARTMENT OF AGRICULTURE COOPERATING

FARROWING HOUSE
24 x 48

APA '71 6122 SHEET 3 OF 3