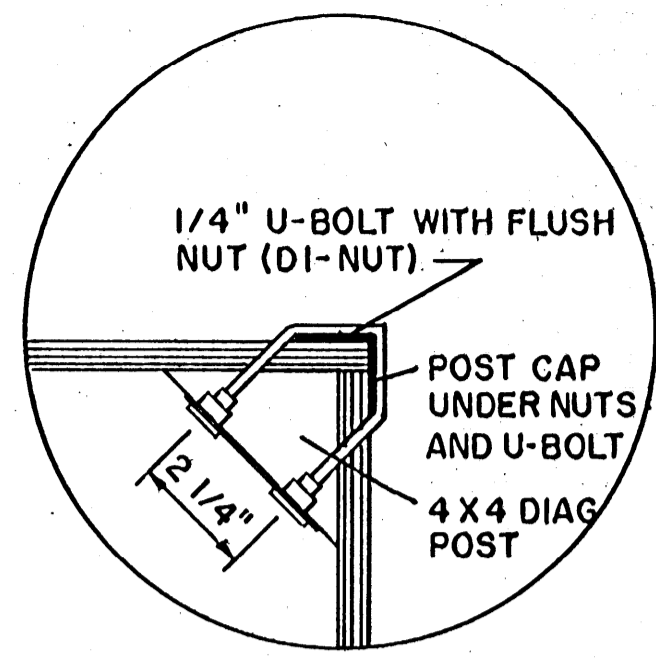
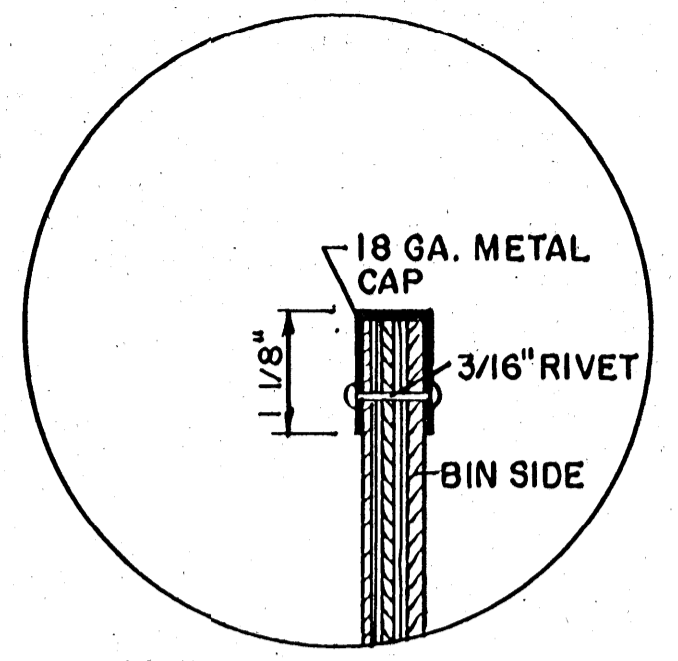


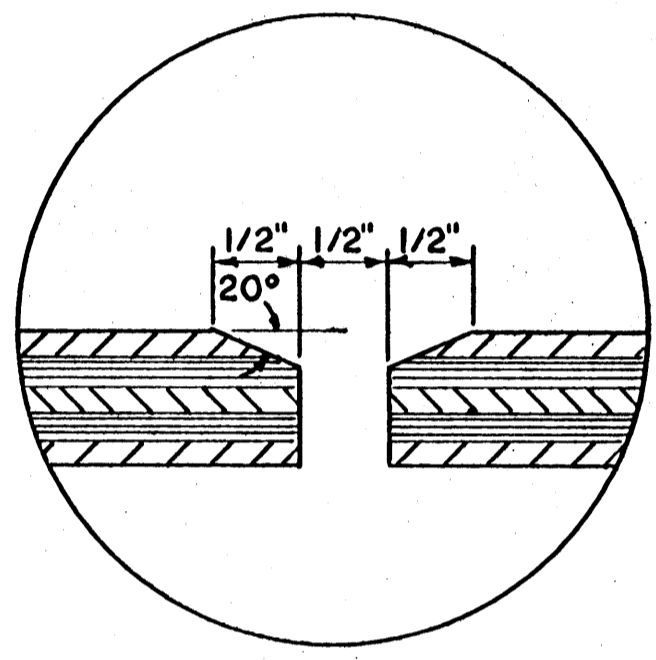
PICTORIAL VIEW



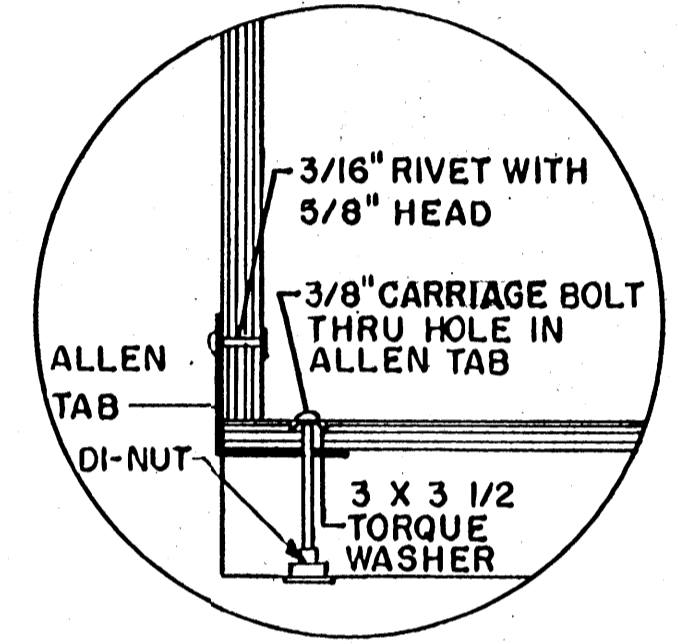
CORNER POST



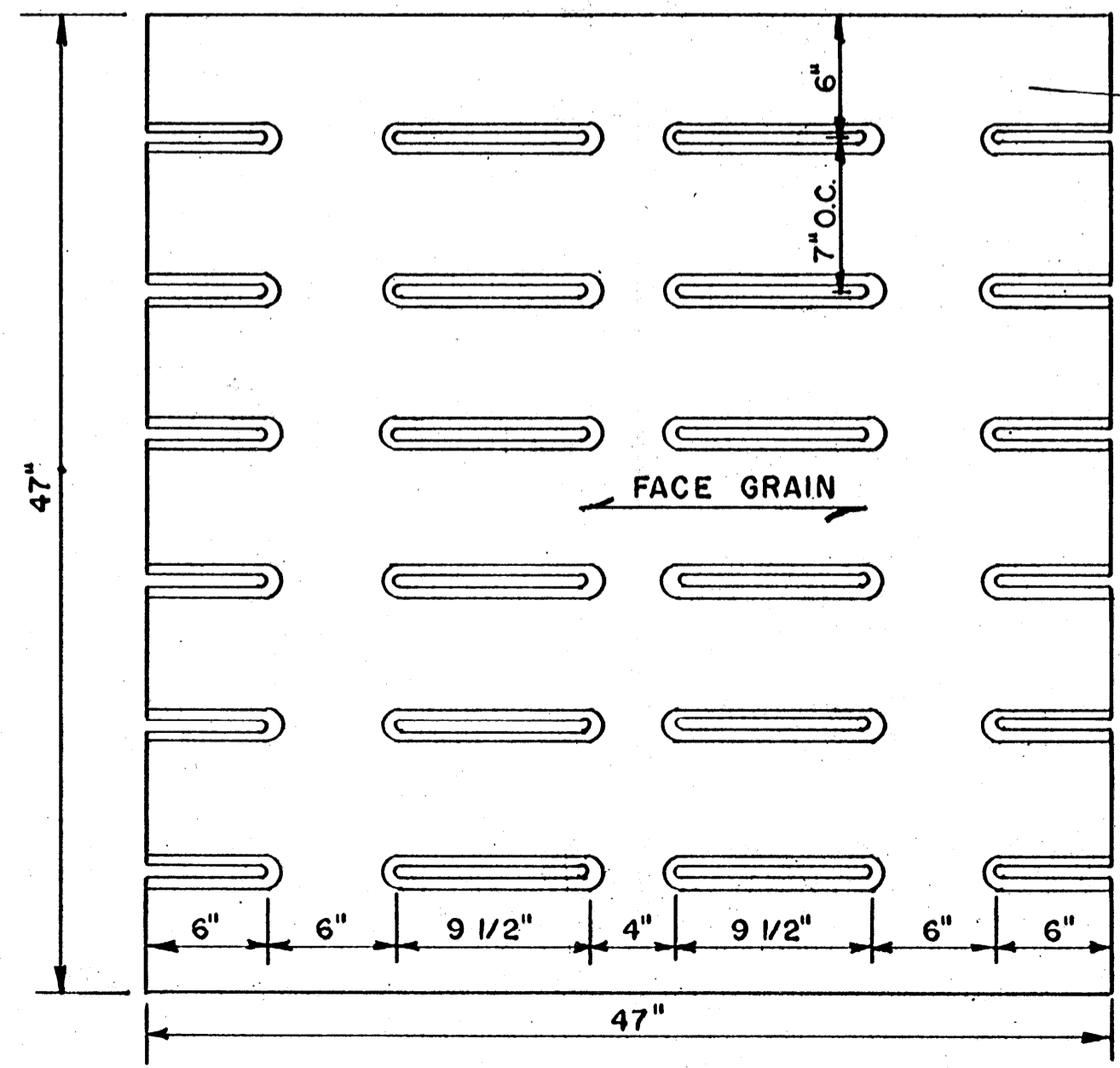
TOP EDGE CAP



SECTION THRU SLOT



STRINGER END

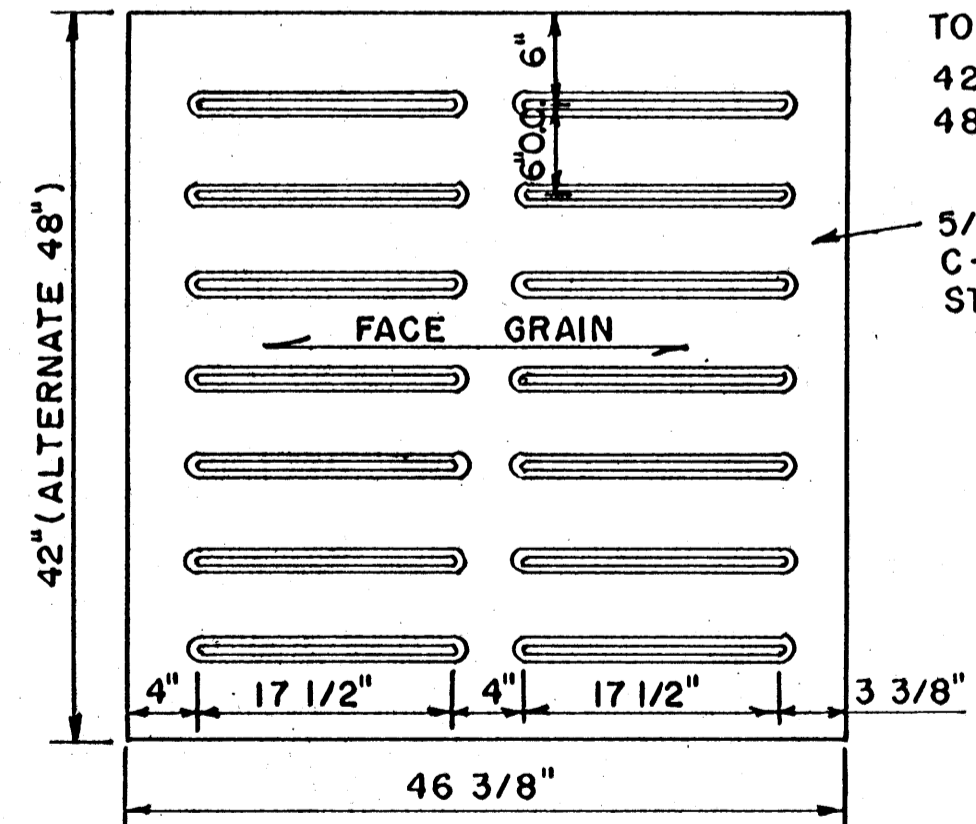


BOTTOM DETAIL*

47" X 47" - 5/8" THICK EXT.-DFPA PLYWOOD, C-C PLUGGED, B-C, OR A-C STRUCTURAL I, GROUP 1 OR GROUP 2.

TOTAL OPEN AREA OF SLOTS - 100 SQ. IN.

* SOME BOTTOMS MANUFACTURED WITH 7 ROWS OF SLOTS. SLOTS 5/8" WIDE, PROVIDE TOTAL OPEN AREA OF 145 SQ. IN. CENTER TO CENTER DISTANCE OF SLOTS AND CENTER TO EDGE SPACING IS THEN 5 7/8"



ALTERNATE SIDE DETAIL SLOTTED PLYWOOD

This design is based on the use of American Plywood Association Grade-Trademarked plywood. Structural deficiencies may result with the substitution of materials. Because erection of the structure cannot be supervised no liability can be assumed by the designer or the American Plywood Association. Mention of a trade name does not constitute a guarantee or warranty of the product by the U.S. Department of Agriculture or an endorsement by the Department over other products not mentioned.

TOTAL OPEN AREA OF SLOTS
42" DEEP - 105 SQ. IN.
48" DEEP - 122 SQ. IN.

5/8" EXT.-DFPA PLYWOOD C-C PLUGGED, B-C OR A-C, STRUCTURAL I OR GROUP 1.

DESIGNED TO CONFORM TO AMERICAN SOCIETY OF AGRICULTURAL ENGINEERS' RECOMMENDED INDUSTRY-WIDE STANDARDS FOR AUTOMATED HANDLING EQUIPMENT ASAE S 337.

AMERICAN PLYWOOD ASSOC. FORM NO. 67-150

COOPERATIVE EXTENSION WORK IN AGRICULTURE AND HOME ECONOMICS

STATE OF MISSISSIPPI

MISSISSIPPI STATE UNIVERSITY

AND UNITED STATES DEPARTMENT OF AGRICULTURE COOPERATING

PALLET BIN FOR VEGETABLES

APA '71	6121	SHEET 1 OF 1
---------	------	--------------