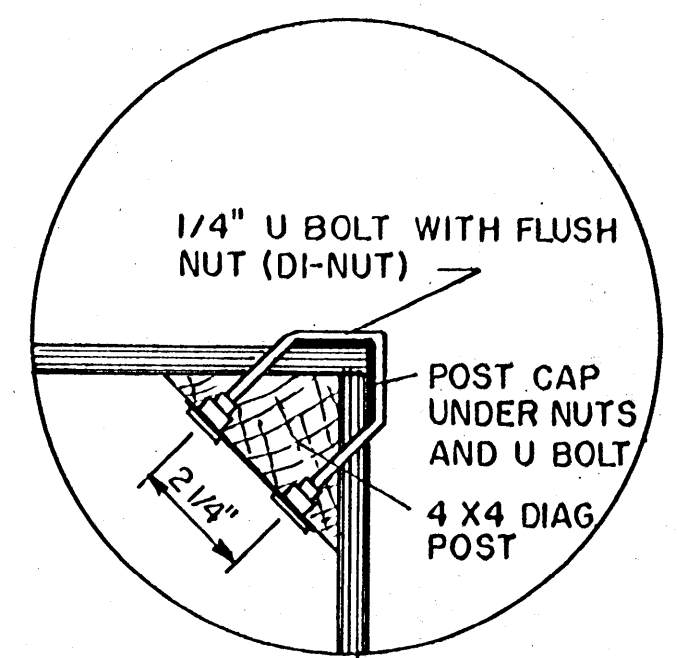
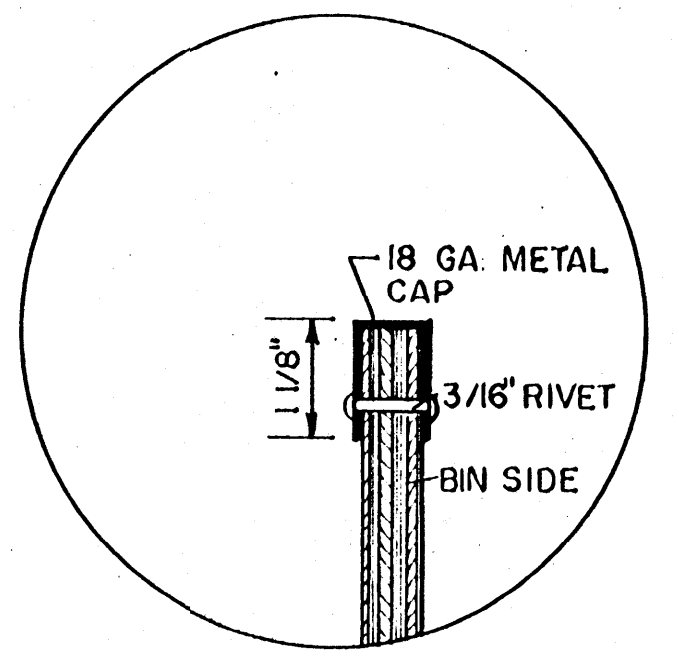


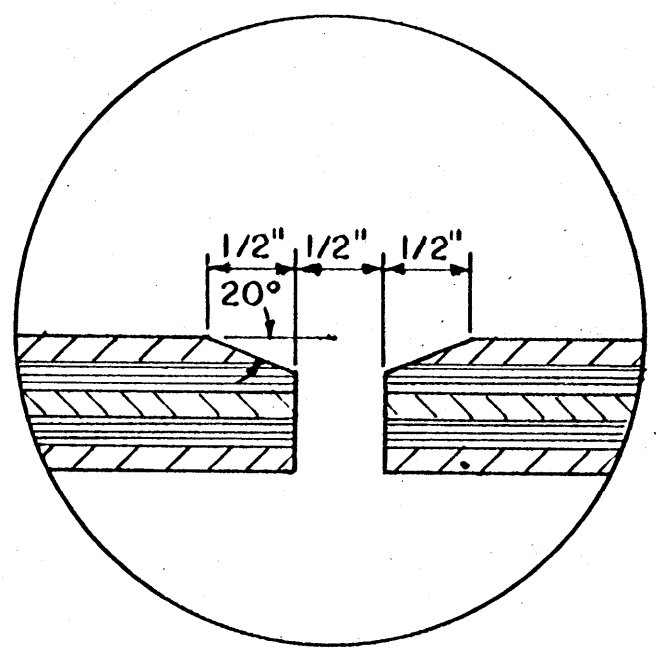
PICTORIAL VIEW



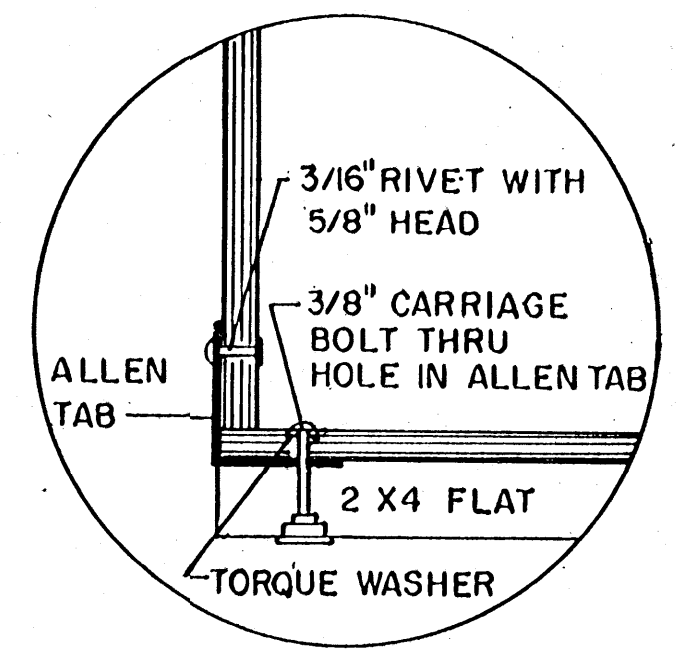
CORNER POST



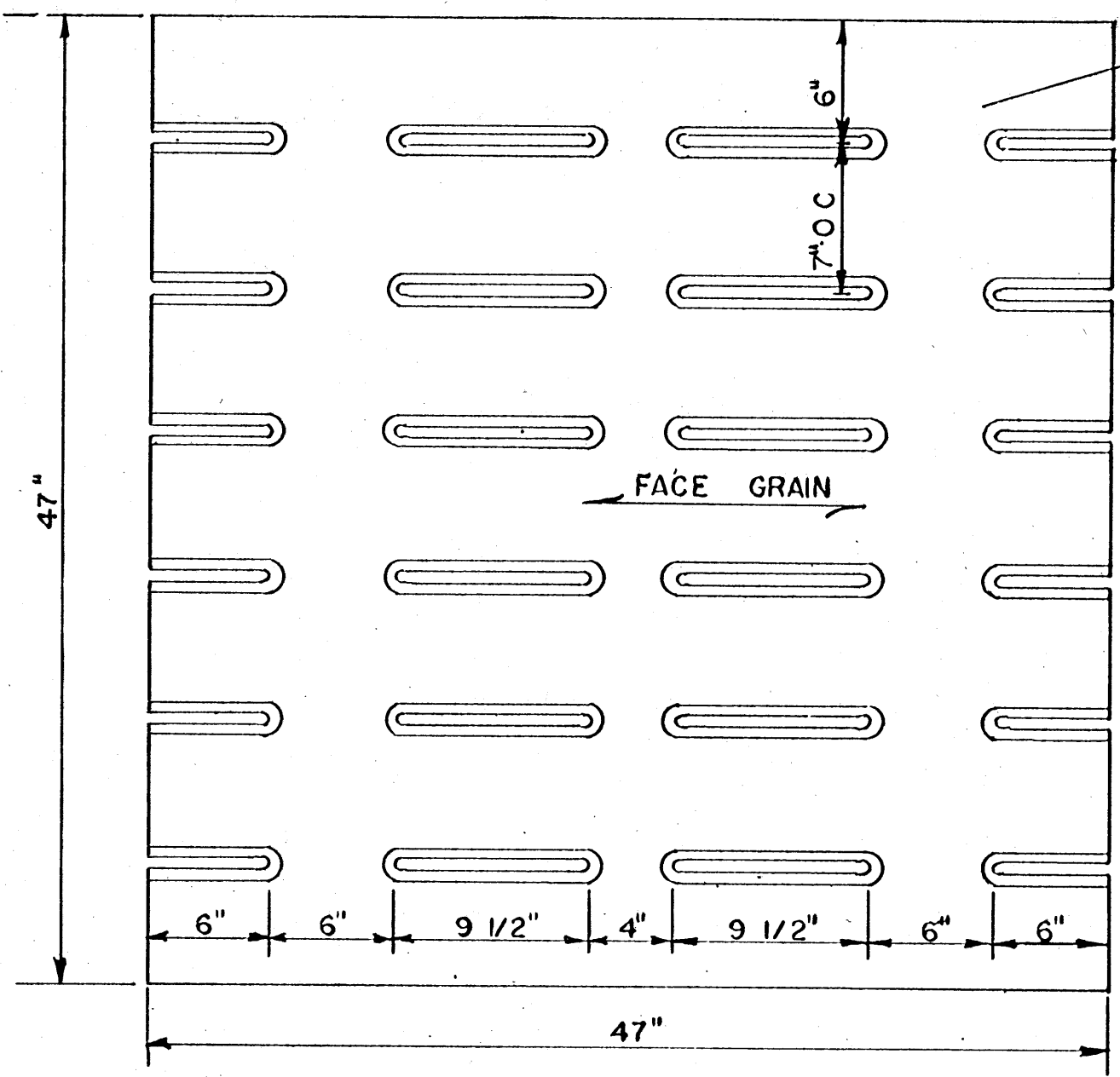
TOP EDGE CAP



SECTION THRU SLOT *



STRINGER END



BOTTOM DETAIL *

* SOME BOTTOMS MANUFACTURED WITH 7 ROWS OF SLOTS. SLOTS 5/8" WIDE, PROVIDE TOTAL OPEN AREA OF 145 SQ IN. CENTER TO CENTER DISTANCE OF SLOTS AND CENTER TO EDGE SPACING IS THEN 5 7/8".

This design is based on the use of American Plywood Association Grade-Trademarked plywood. Structural deficiencies may result with the substitution of materials. Because erection of the structure cannot be supervised no liability can be assumed by the designer or the American Plywood Association. Mention of a trade name does not constitute a guarantee or warranty of the product by the U.S. Department of Agriculture or an endorsement by the Department over other products not mentioned.

NOTE: THE SIZE OF THIS BIN IS SUCH THAT IT WILL FIT ON FLAT-BED TRUCKS. IT CAN BE HANDLED IN STANDARD AUTOMATIC BIN HANDLING EQUIPMENT NOW BEING BUILT. THE INSIDE DEPTH OF 24" IS THE ACCEPTED STANDARD FOR MOST FRUIT AS DETERMINED BY UNIVERSITY RESEARCH.

DESIGNED TO CONFORM TO AMERICAN SOCIETY OF AGRICULTURAL ENGINEERS' RECOMMENDED INDUSTRY-WIDE STANDARDS FOR AUTOMATED HANDLING EQUIPMENT ASAE S 337.

AMERICAN PLYWOOD ASSOC. FORM NO. 64-513

COOPERATIVE EXTENSION WORK IN AGRICULTURE AND HOME ECONOMICS		
STATE OF MISSISSIPPI		
MISSISSIPPI STATE UNIVERSITY		
UNITED STATES DEPARTMENT OF AGRICULTURE COOPERATING		
PALLET BIN		
47" X 47"		
APA	'71	6119
		SHEET 1 OF 1