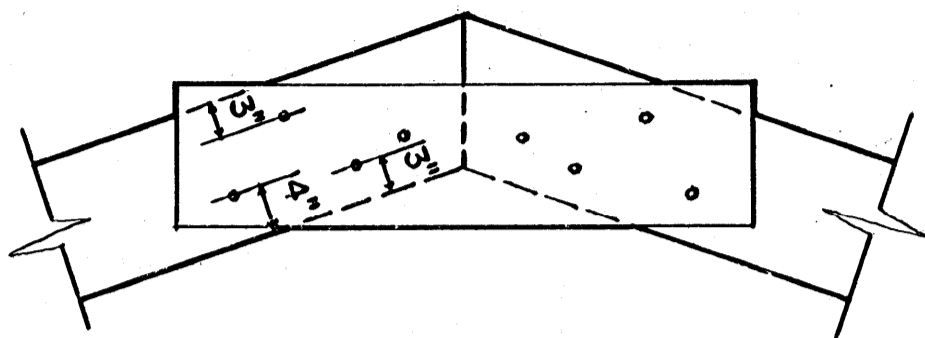
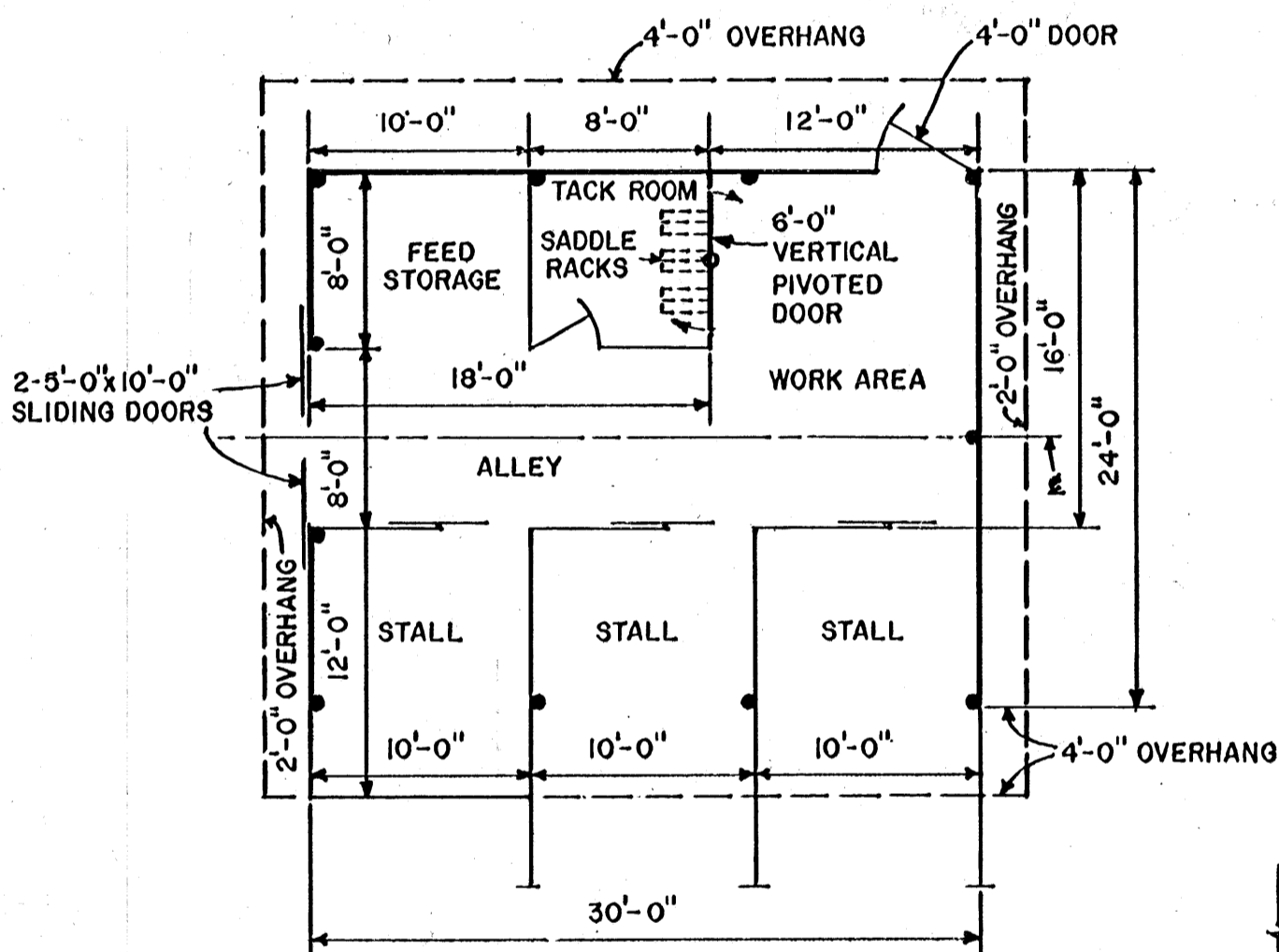


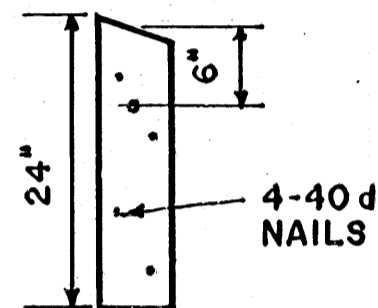
2x12x4'-0" TIES ON BOTH SIDES OF RAFTERS BOLTED TOGETHER WITH 3/4"x6 1/2" MACHINE BOLTS WITH WASHERS



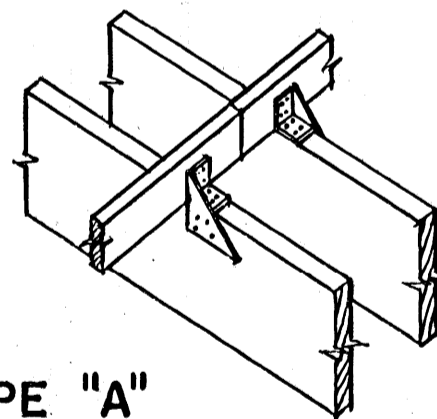
DETAIL A
2x12x4'-0" TIES
SCALE: 3/4"=1'-0"



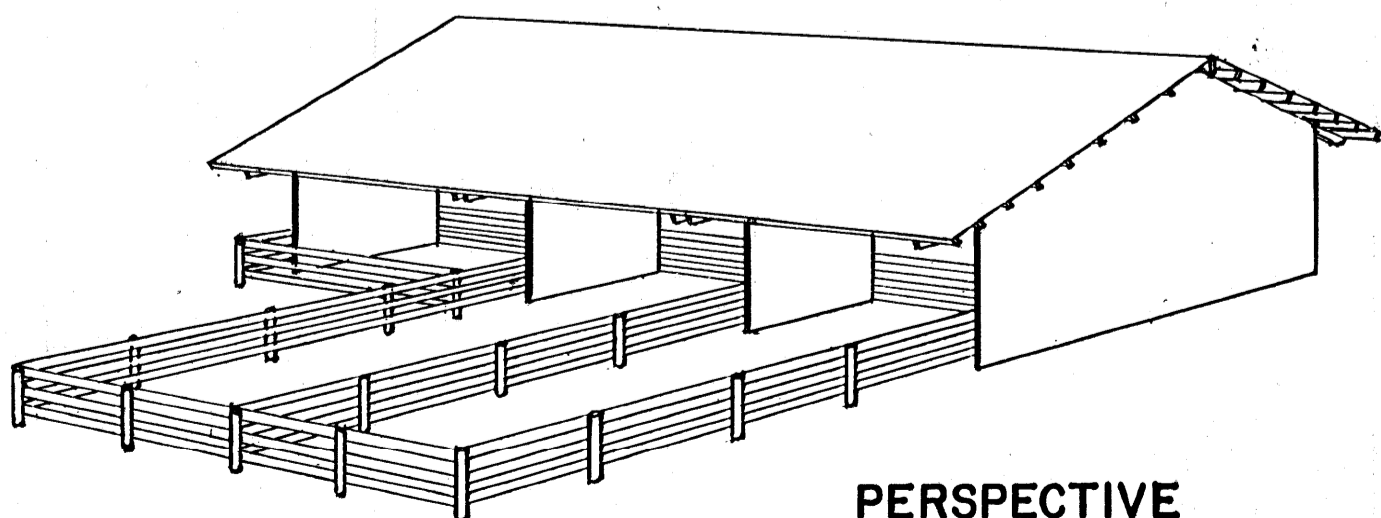
PLAN
SCALE: 1/8"=1'-0"



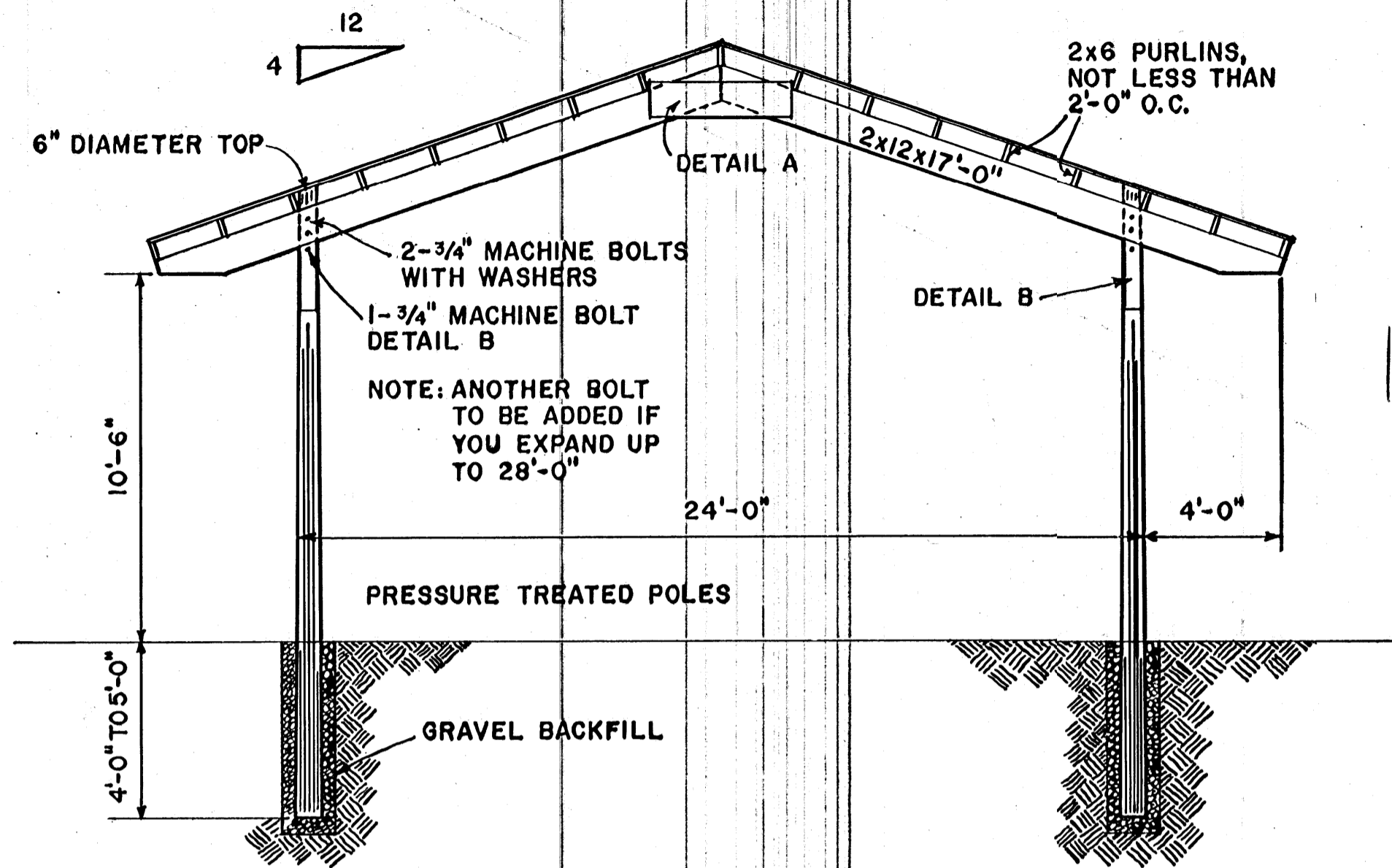
DETAIL B
2x6
SCALE: 3/4"=1'-0"



TYPE "A" ANCHORS



PERSPECTIVE



SECTION
SCALE: 1/4"=1'-0"

BILL OF MATERIALS FOR BUILDING WITHOUT WALLS OR PARTITIONS

- 12-2x12x17'-0" RAFTERS
- 3-2x12x16'-0" TIES DETAIL A.
- 36-2x6x12'-0" PURLINS & DETAIL B.
- 17-2x6x10'-0" PURLINS
- 8-6" DIAMETER x18'-0" OR 6x6x18'-0" PRESSURE TREATED POLES.
- 3-6" DIAMETER x20'-0" OR 6x6x20'-0" PRESSURE TREATED POLES.
- 48-40d COMMON NAILS
- 102-PIECES OF TYPE A METAL ANCHORS FOR HOLDING PURLINS IN PLACE, OR 2x4x16" PIECES MAY BE SUBSTITUTED. NAILS FOR METAL OR WOOD ANCHORS.
- 1156 SQUARE FEET OF ROOFING.
- 68'-0" OF GUTTERS.
- 48-3/4"x6 1/2" MACHINE BOLTS WITH WASHERS
- 24-3/4"x10" MACHINE BOLTS WITH WASHERS

END POLES REQUIRE A RAFTER FASTENED ON INSIDE OF POLE, ALL OTHERS REQUIRE TWO RAFTERS ON EACH SIDE OF POLE.
ADDITIONAL POST OR POLES AND LUMBER REQUIRED AS NECESSARY FOR PARTITIONS AND PENS. PARTITIONS CAN BE MADE WITH 2" LUMBER, OR 1" EXTERIOR TYPE PLYWOOD.
TACK ROOM SHOULD BE MADE RODENT PROOF. CONCRETE FLOOR IN STORAGE AREA IS PREFERRED. USE HORSE PROOF AND RODENT PROOF GRAIN STORAGE.
A SLATTED FENCE PROVIDES A BETTER WIND BREAK THAN A SOLID FENCE.
THIS PLAN MAY BE LENGTHENED OR SHORTENED BY 10'-0".

COOPERATIVE EXTENSION WORK IN
AGRICULTURE AND HOME ECONOMICS
STATE OF MISSISSIPPI
MISSISSIPPI STATE UNIVERSITY
AND
UNITED STATES DEPARTMENT OF AGRICULTURE COOPERATING

HORSE BARN

ORE. '71 6107 SHEET 1 OF 1

BASED ON: OREGON STATE UNIV.
BLOG. PLAN 102