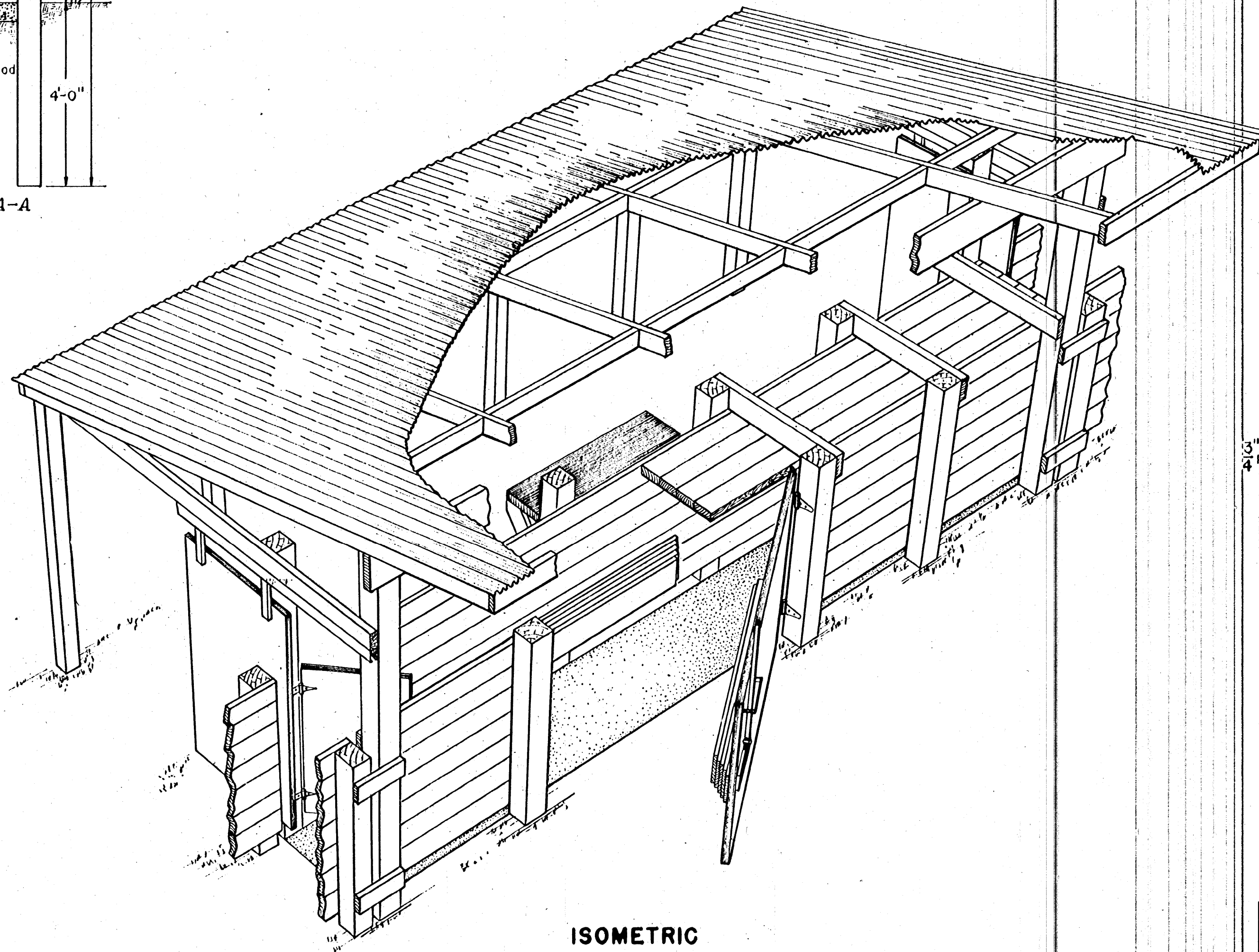
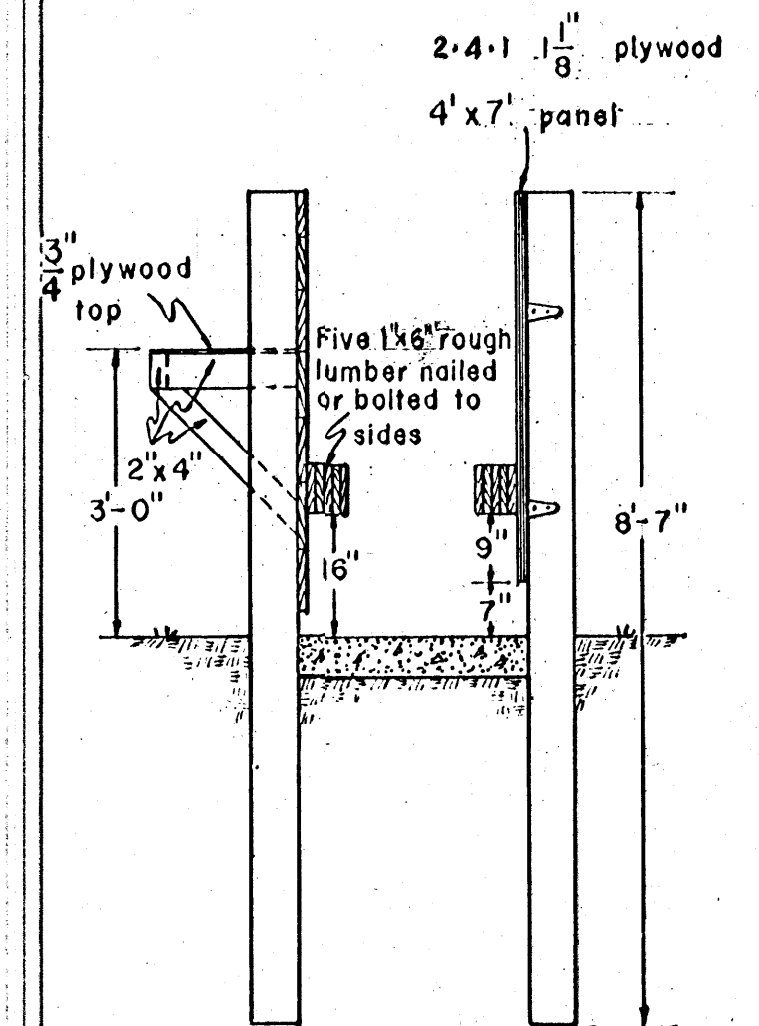


SECTION A-A



ISOMETRIC



SECTION B-B

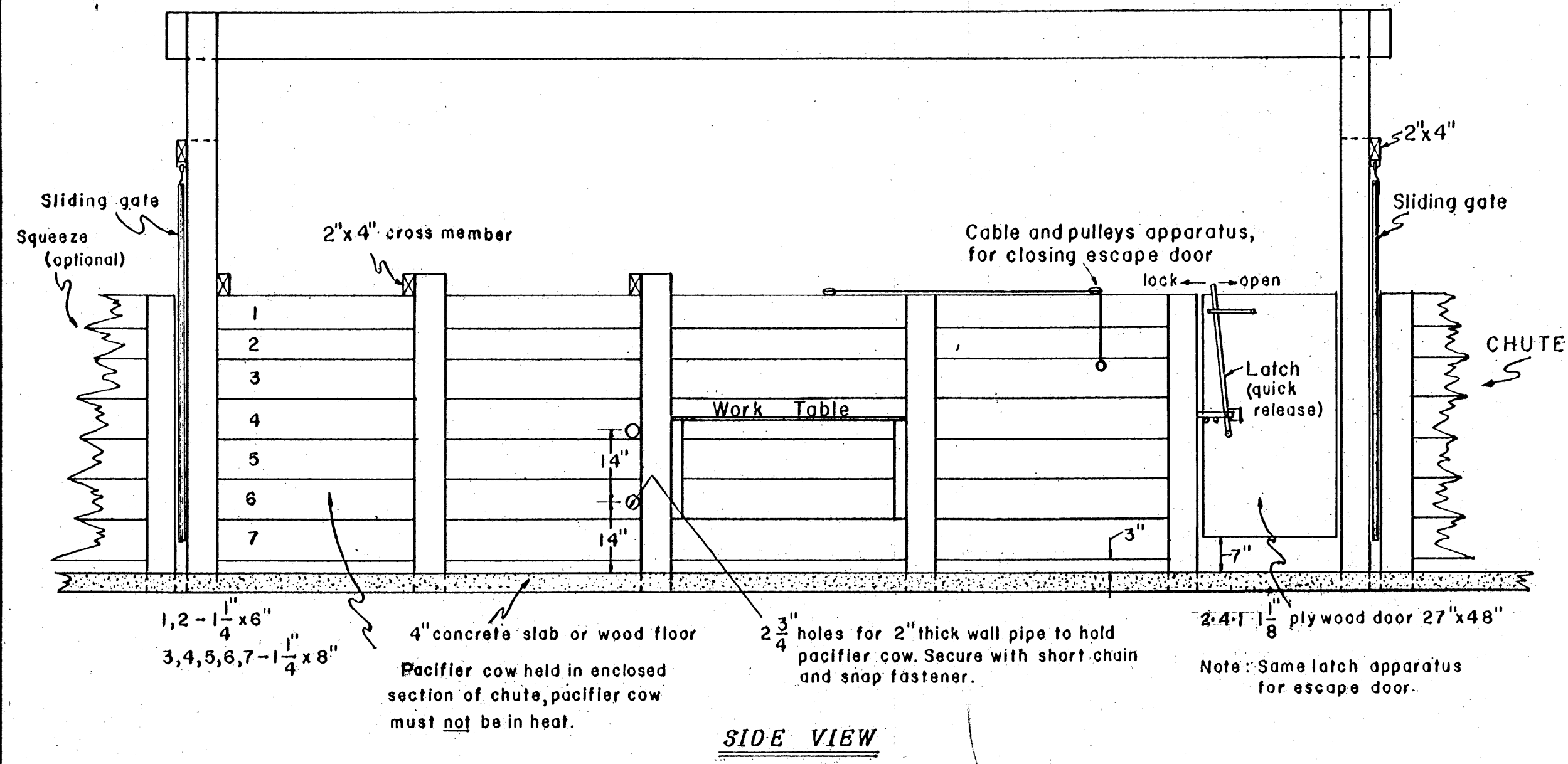
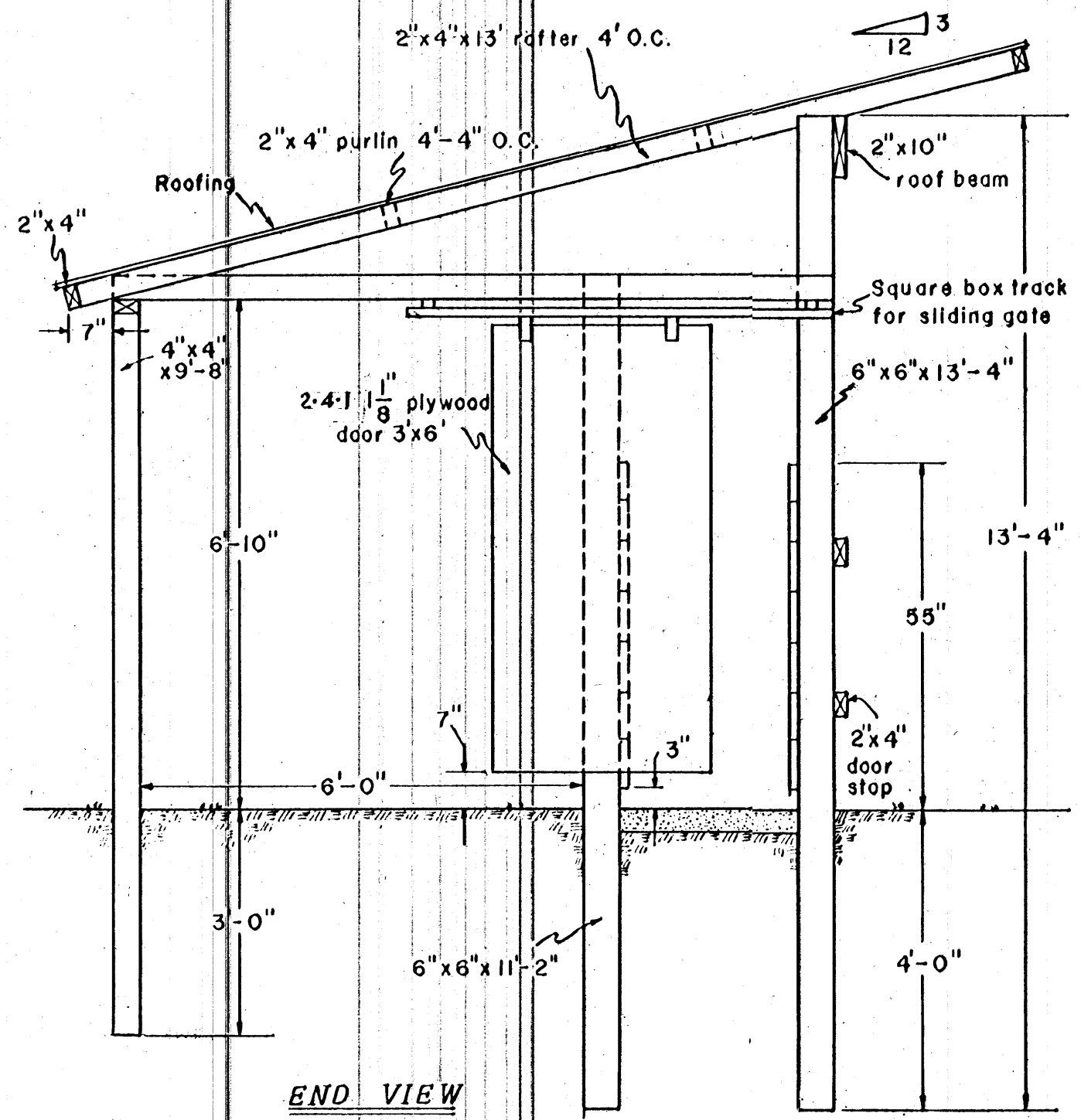
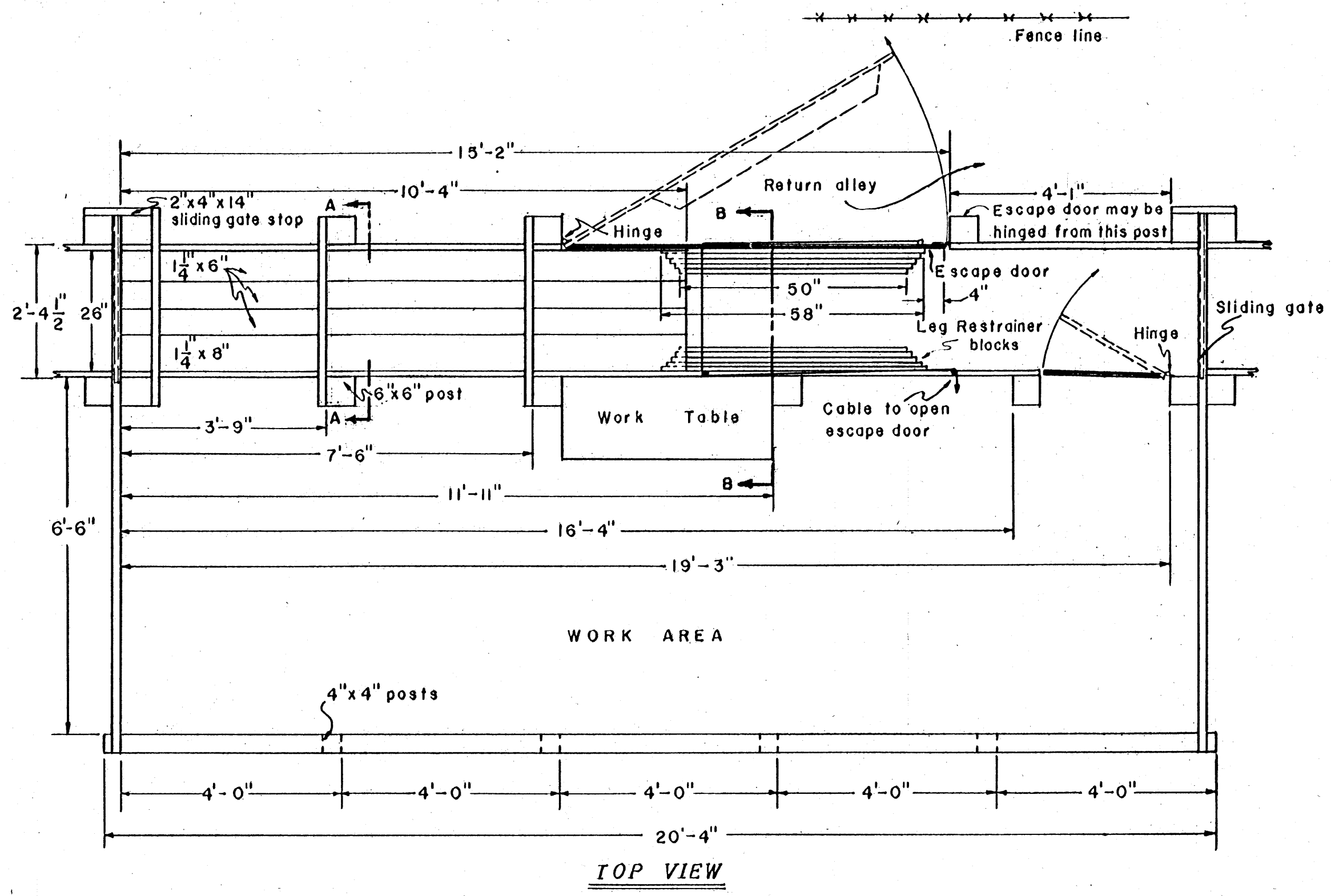
SCALE: 1/2" = 1'-0" EXCEPT AS NOTED

COOPERATIVE EXTENSION WORK IN
 AGRICULTURE AND HOME ECONOMICS
 STATE OF MISSISSIPPI
 MISSISSIPPI STATE UNIVERSITY
 AND
 UNITED STATES DEPARTMENT OF AGRICULTURE COOPERATING

BREEDING CHUTE
 FOR BEEF CATTLE

CALIF. '70 6103 SHEET 1 OF 2

Designed by: Gene Rambo
 University of Calif. Plan C
 Davis, Calif.



SCALE: 1/2" = 1'-0" EXCEPT AS NOTED

COOPERATIVE EXTENSION WORK IN AGRICULTURE AND HOME ECONOMICS
 STATE OF MISSISSIPPI
 MISSISSIPPI STATE UNIVERSITY
 AND
 UNITED STATES DEPARTMENT OF AGRICULTURE COOPERATING

BREEDING CHUTE FOR BEEF CATTLE

CALIF. '70	6103	SHEET 2 OF 2
------------	------	--------------

Note:
 Corrugated translucent plastic panel roofing installed in accordance with manufacturer's directions.
 All poles and wood in contact with the ground to be pressure treated with a preservative.