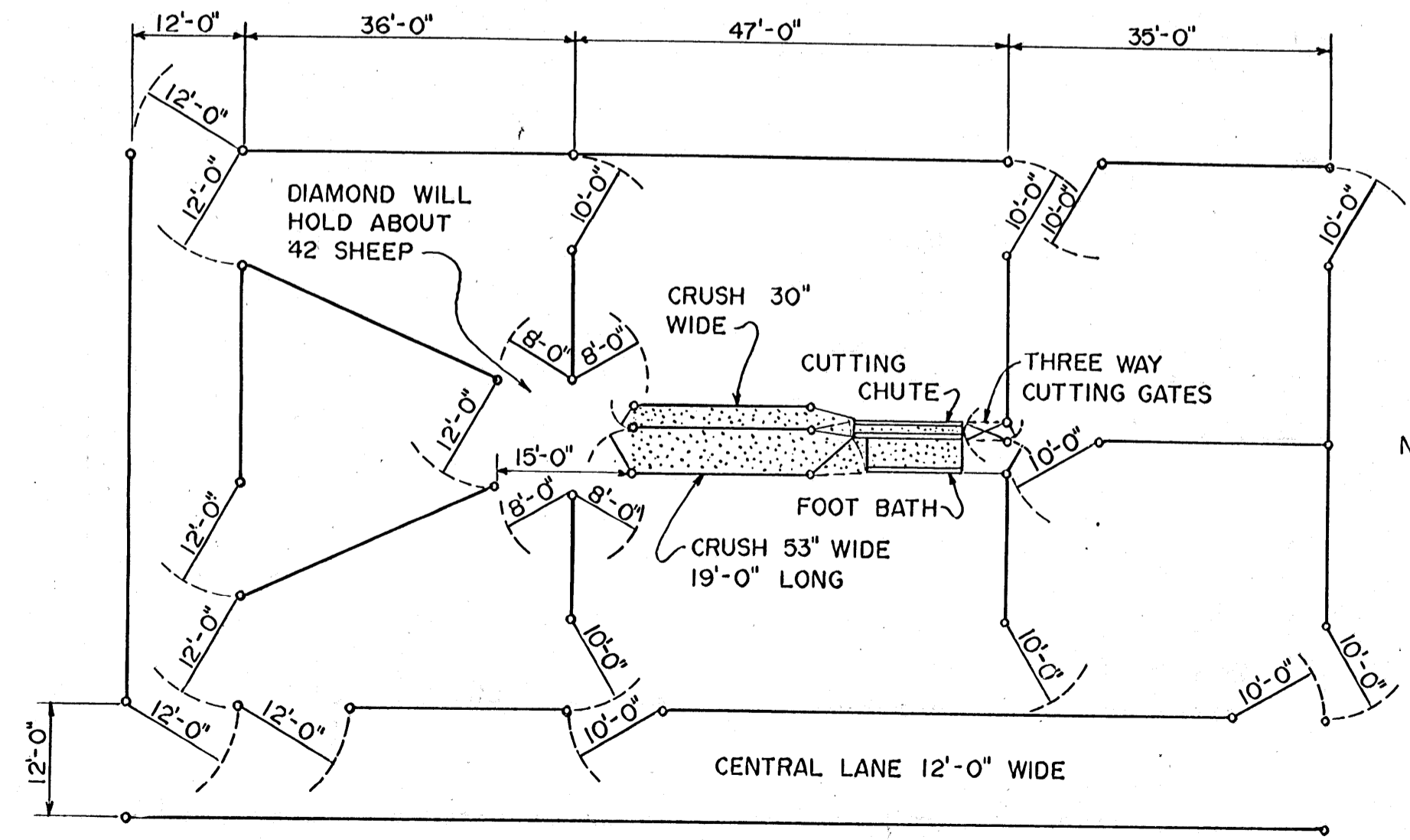


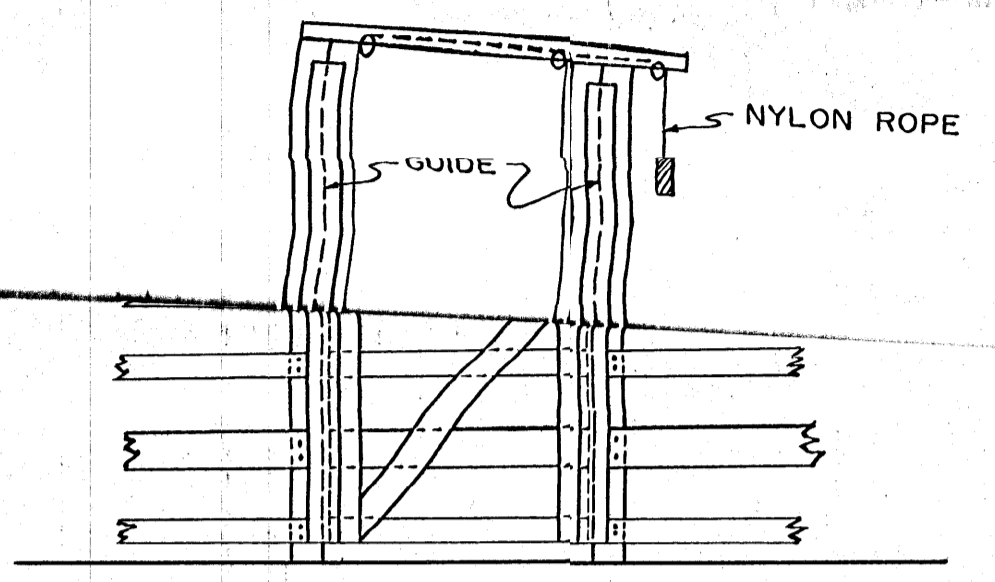
**SHEARING SHED FLOOR PLAN**  
SCALE:  $\frac{1}{4}'' = 1'-0''$

NOTE: ENTIRE FLOOR TO BE ABOUT 12 TO 18 INCHES ABOVE GROUND LEVEL. THE SLOTTED FLOOR IS MADE FROM 2x4's RIPPED IN TWO PIECES ON A 20 DEGREE BEVEL. THIS MAKES A BEVEL ON SIDE OF EACH SLAT. THE SLOTTED FLOOR IS MADE IN PANELS SO THAT SECTIONS MAY BE REMOVED FOR CLEANING UNDER THE FLOOR. SLOT OPENINGS ARE  $\frac{5}{8}$  INCH.

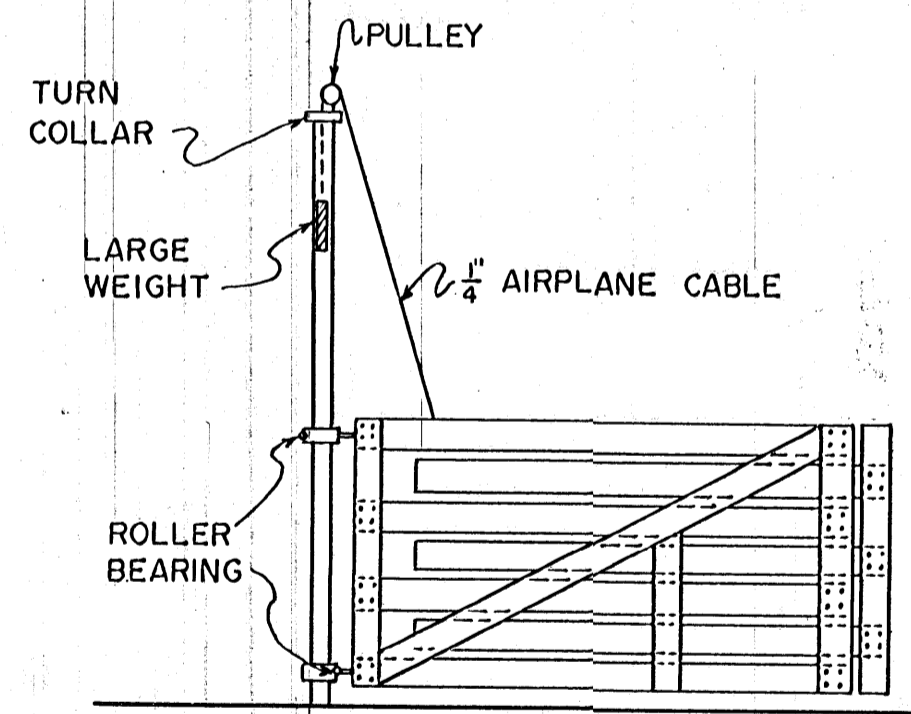


**SHEEP CORRAL**  
SCALE:  $\frac{1}{16}'' = 1'-0''$

NOTE: THE CUTTING CHUTE IS 12 INCHES ON THE BOTTOM AND 24 INCHES AT THE TOP AND IS 33 TO 36 INCHES HIGH. CONCRETE IS USED IN THE CRUSH PENS AND CUTTING CHUTE. A CONCRETE FOOT BATH IS USED WITH PROVISION FOR DRAINAGE. A PLYWOOD WALL OF  $\frac{1}{2}$  INCH EXTERIOR PLYWOOD FOLDS DOWN OVER THE FOOT BATH WHEN NOT IN USE TO GIVE ACCESS TO THAT SIDE OF THE CUTTING CHUTE. THIS ALSO REDUCES EVAPORATION OF THE LIQUID. ABOUT 5 SQUARE FEET REQUIRED PER SHEEP IN PENS. THE MINIMUM HEIGHT FOR THE CORRAL FENCE IS 42 INCHES. THE WORKING AREA CHUTES, CUTTING GATES AND CRUSH SHOULD BE A HEIGHT TO PERMIT A PERSON TO CLIMB OVER EASILY. THIS IS ABOUT 36 INCHES.



**BALANCED LIFT GATE**  
SCALE:  $\frac{1}{2}'' = 1'-0''$



**DETAIL "A"**  
**LIFT SWING TELESCOPING GATE**  
SCALE:  $\frac{1}{2}'' = 1'-0''$

OREGON STATE UNIV. PLAN 100 & PLAN 101

COOPERATIVE EXTENSION WORK IN  
AGRICULTURE AND HOME ECONOMICS  
STATE OF MISSISSIPPI  
MISSISSIPPI STATE UNIVERSITY  
AND  
UNITED STATES DEPARTMENT OF AGRICULTURE COOPERATING

**SHEARING SHED & CORRAL  
ARRANGEMENT FOR SHEEP**

ORE. '70	EX. 6096	SHEET 1 OF 1
----------	----------	--------------