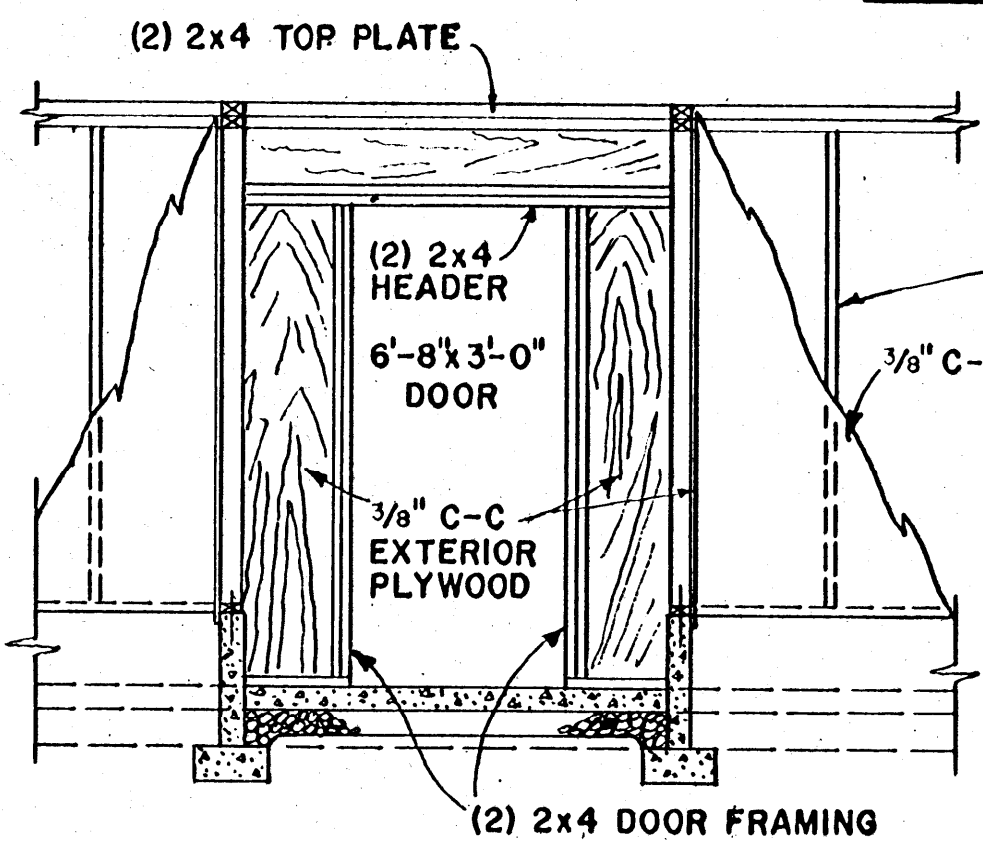
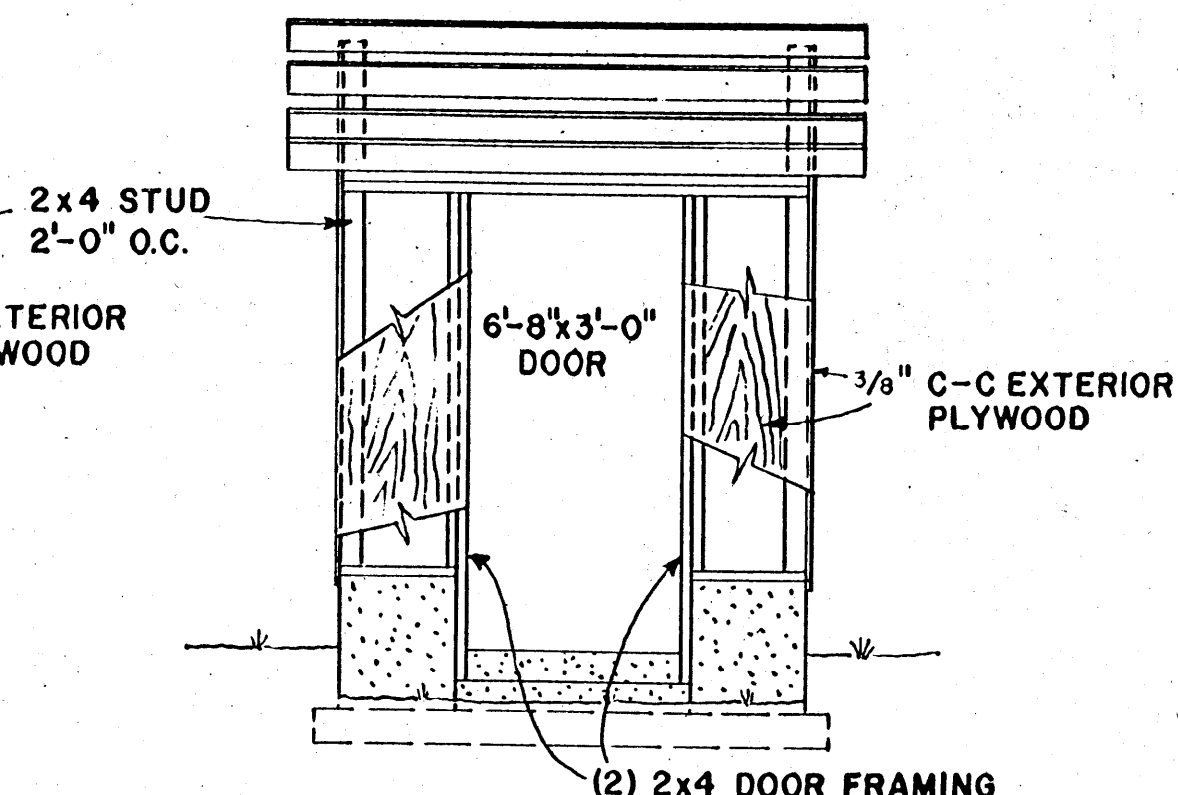


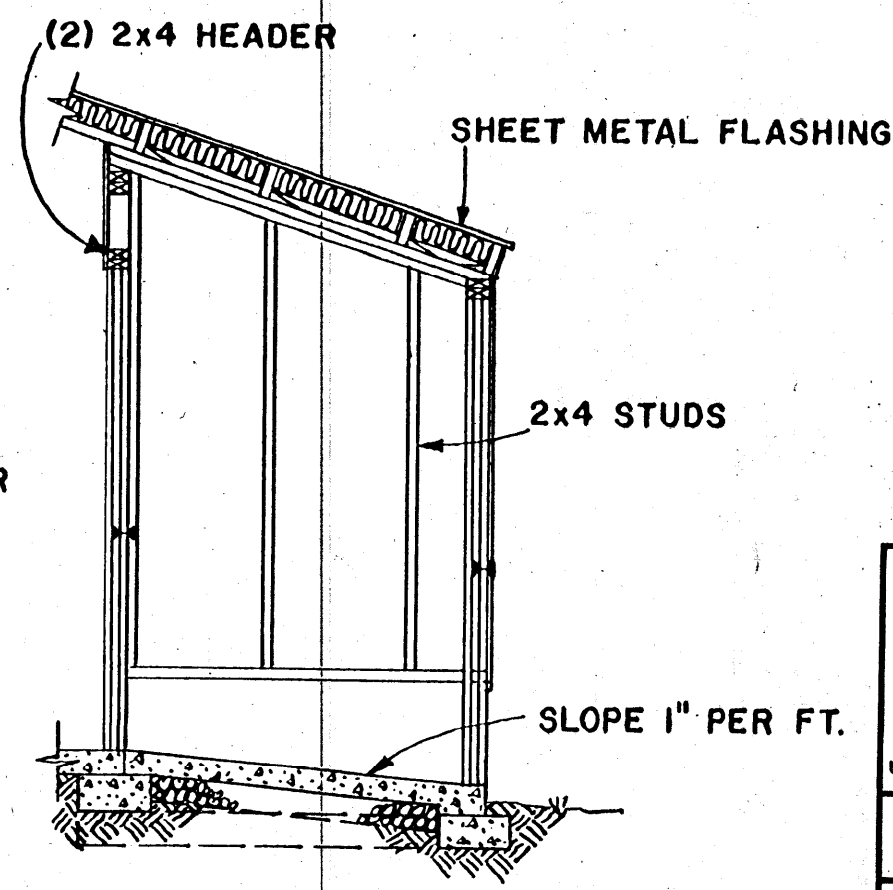
**SLIDING DOOR  
ASSEMBLY DETAIL**



**SECTION B-B**



**SECTION C-C**



**SECTION D-D**

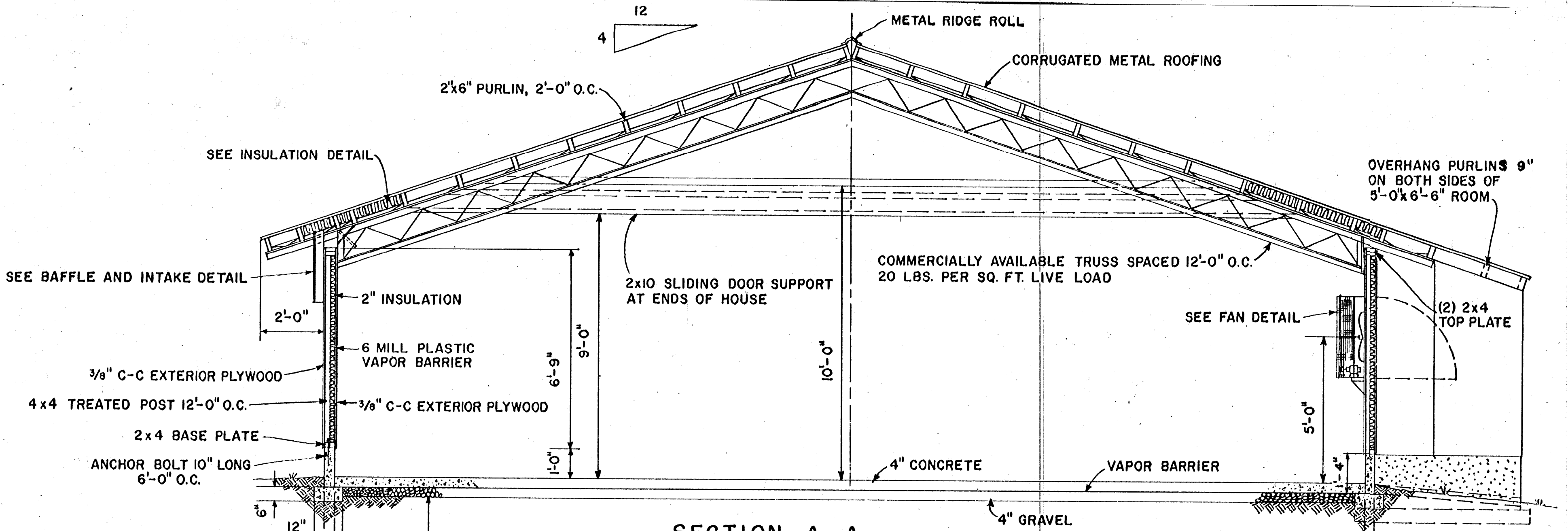
**NOTE:**  
CONSULT LOCAL HEALTH  
AUTHORITIES BEFORE STARTING  
CONSTRUCTION TO BE SURE THAT  
THE PLAN CONFORMS WITH LOCAL  
REGULATIONS.

BASED ON AUBURN UNIV. PLAN NO. I-106

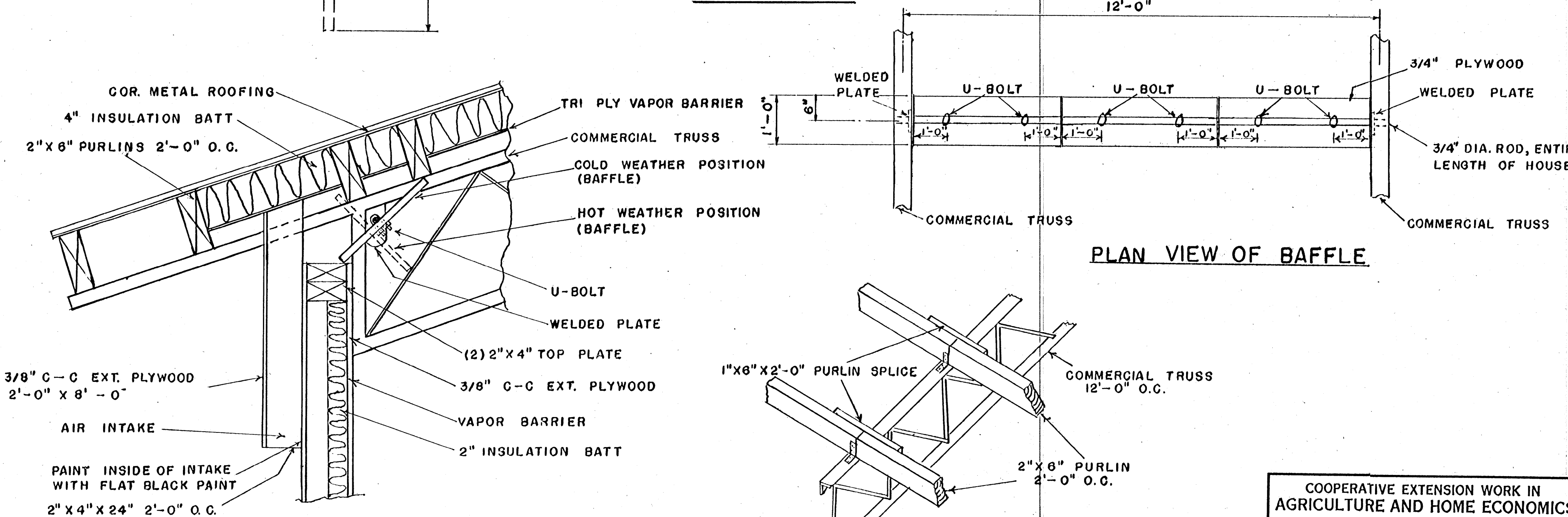
COOPERATIVE EXTENSION WORK IN  
AGRICULTURE AND HOME ECONOMICS  
STATE OF MISSISSIPPI  
MISSISSIPPI STATE UNIVERSITY  
AND  
UNITED STATES DEPARTMENT OF AGRICULTURE COOPERATING

**POULTRY HOUSE  
ENVIRONMENTALLY CONTROLLED**

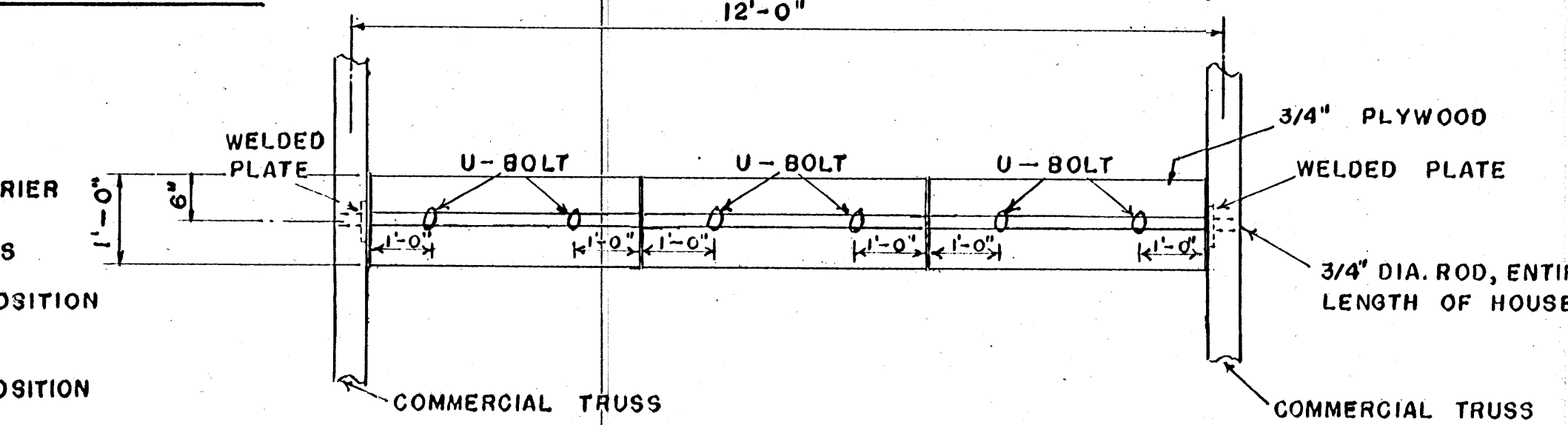
ALA. '69 6087 SHEET 1 OF 4



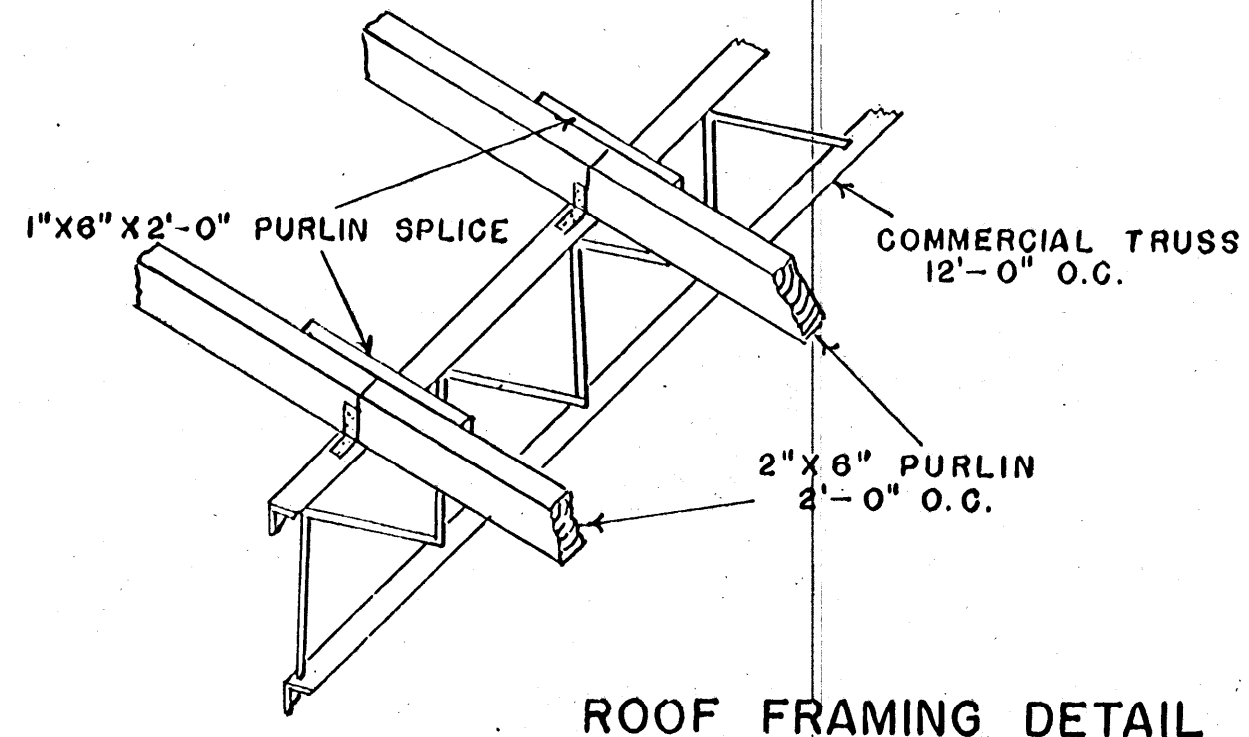
**SECTION A-A**  
SCALE: 3/8" = 1'-0"



**BAFFLE AND INTAKE DETAIL**



**PLAN VIEW OF BAFFLE**

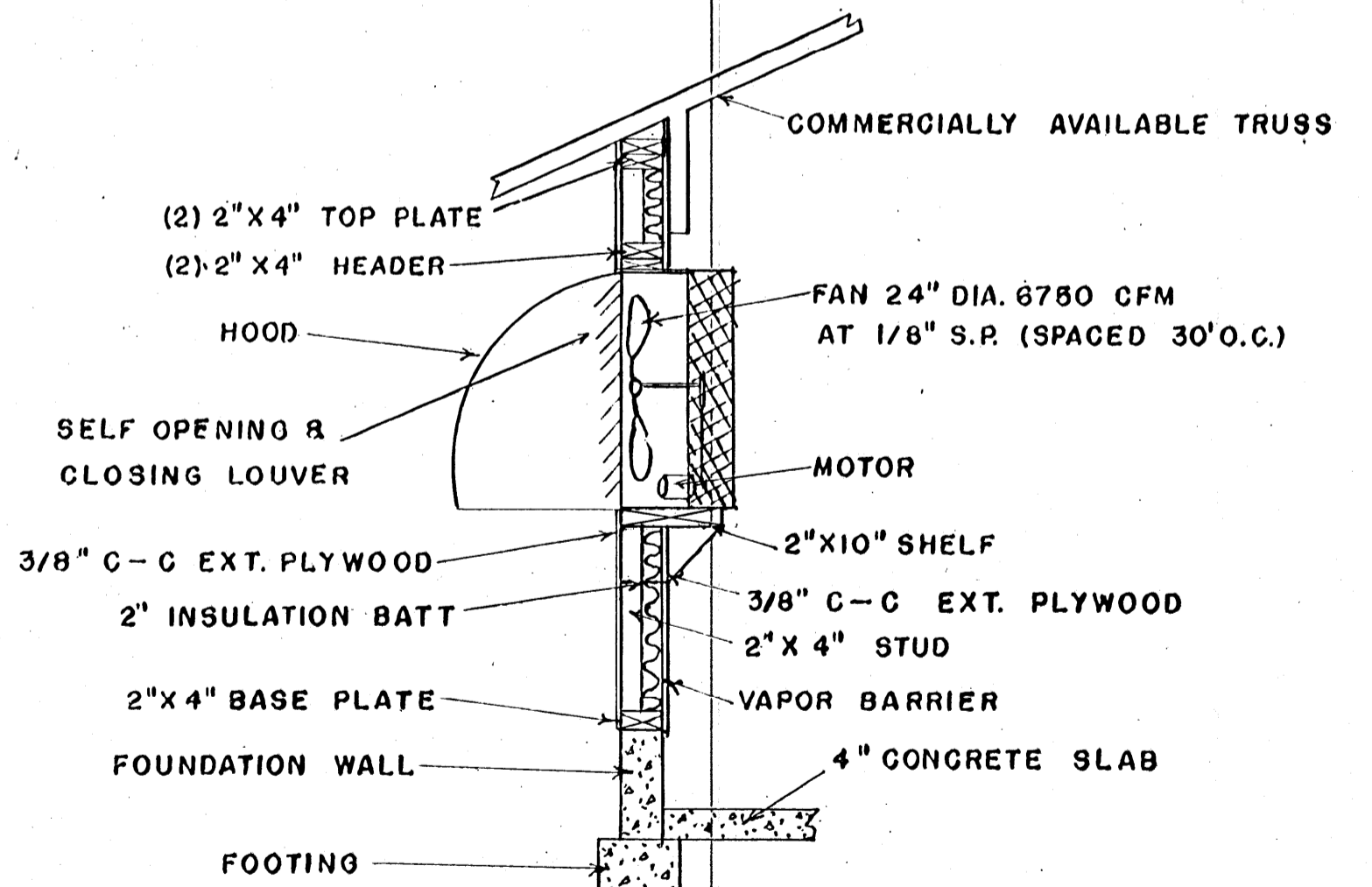
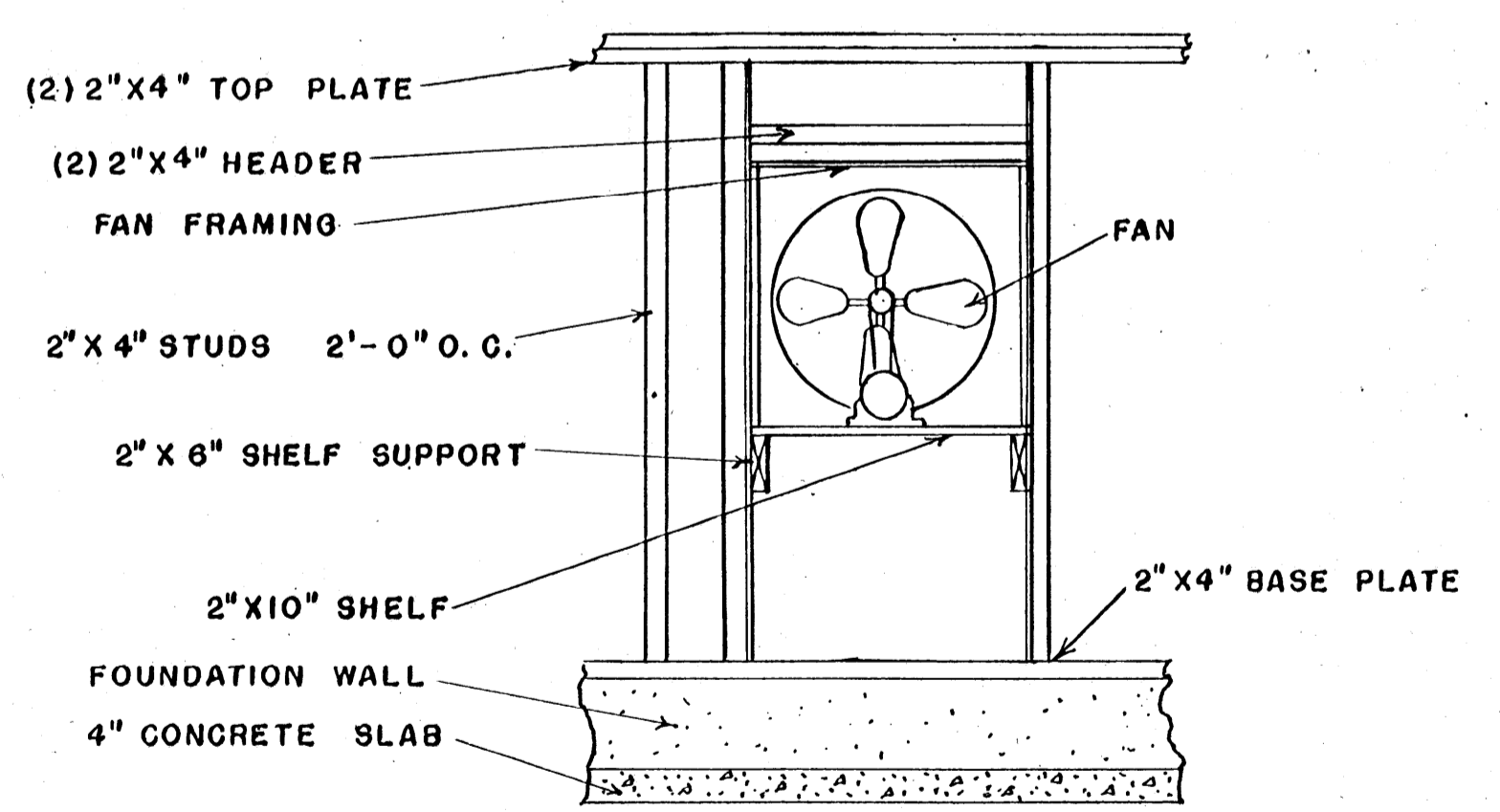
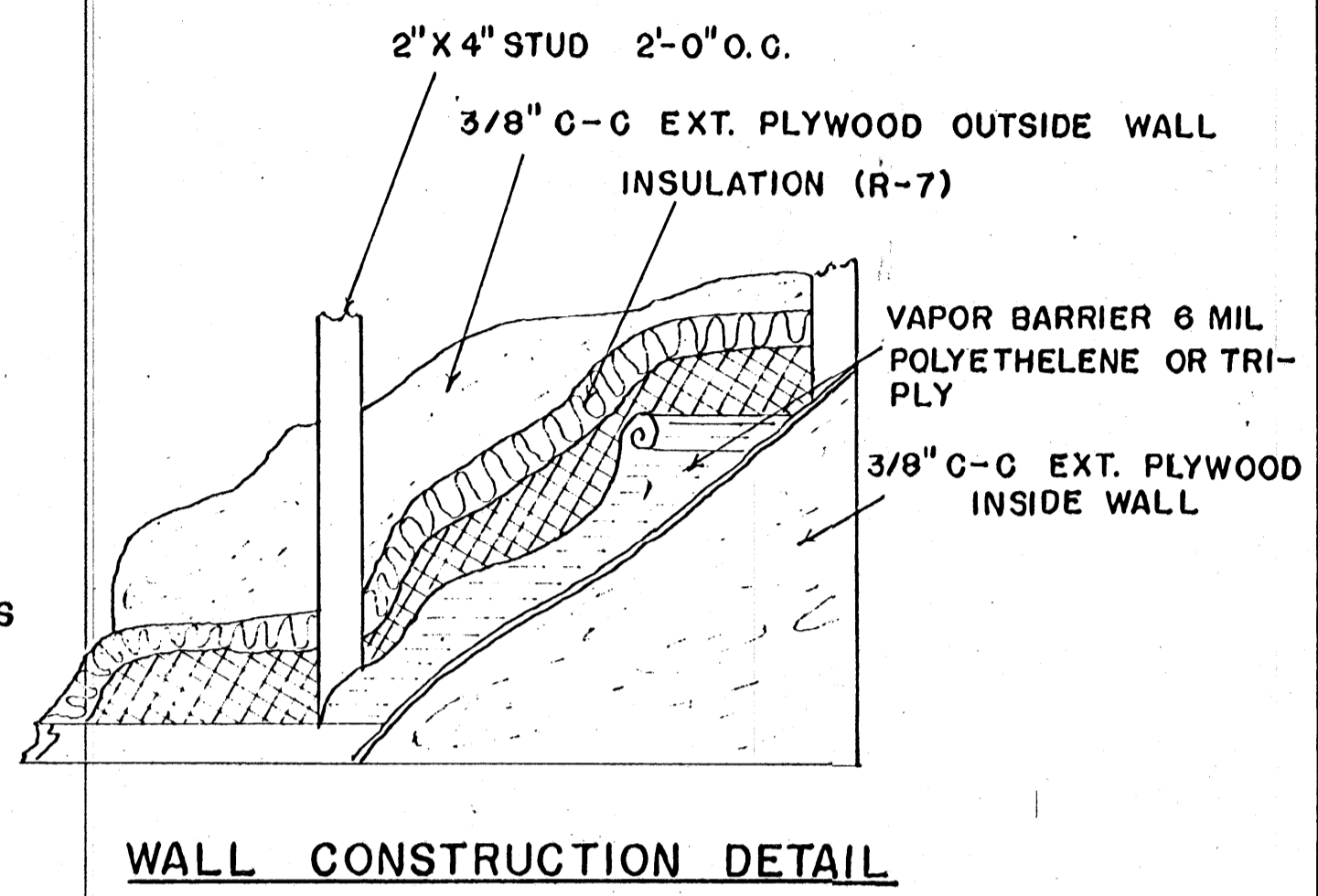
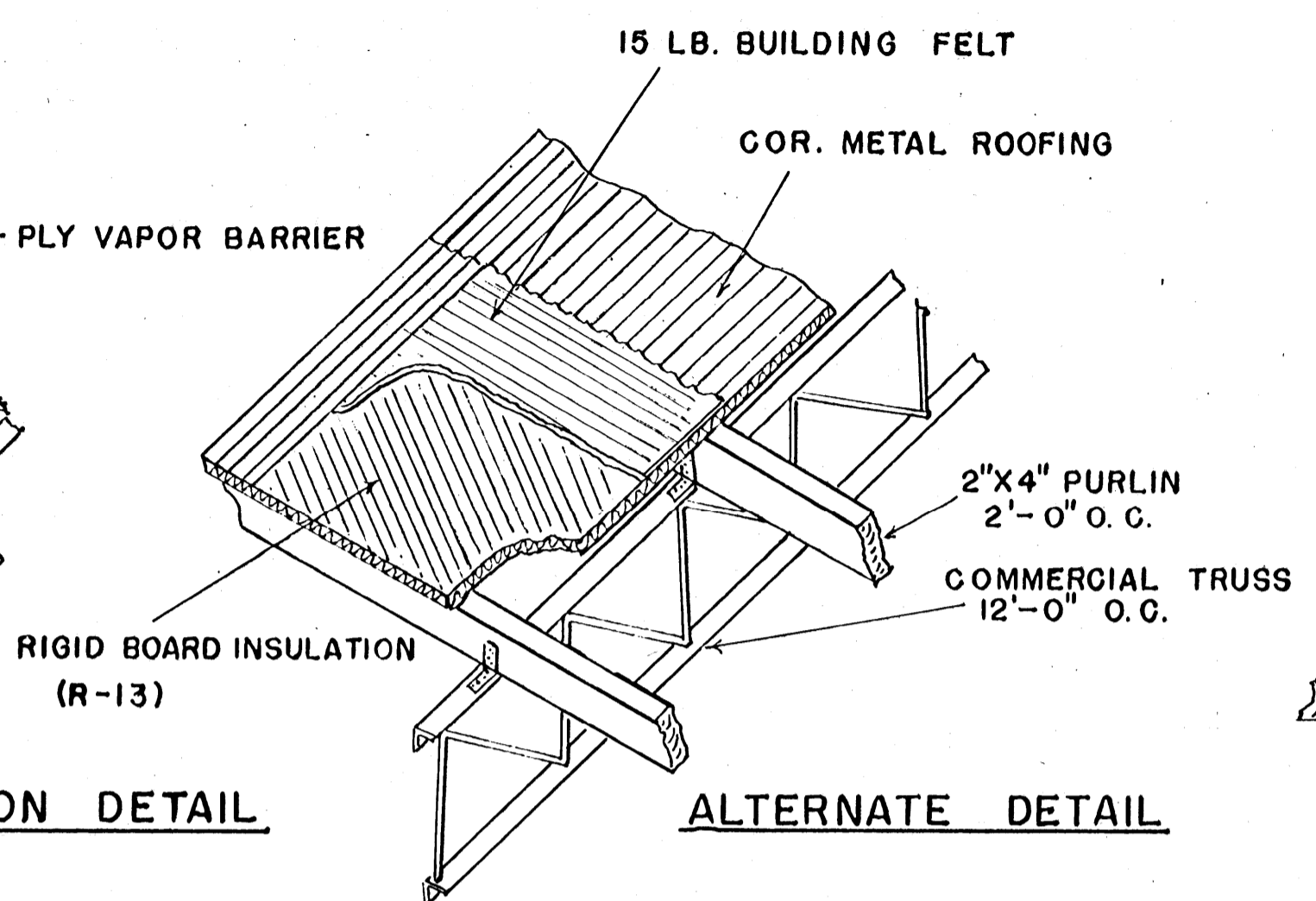
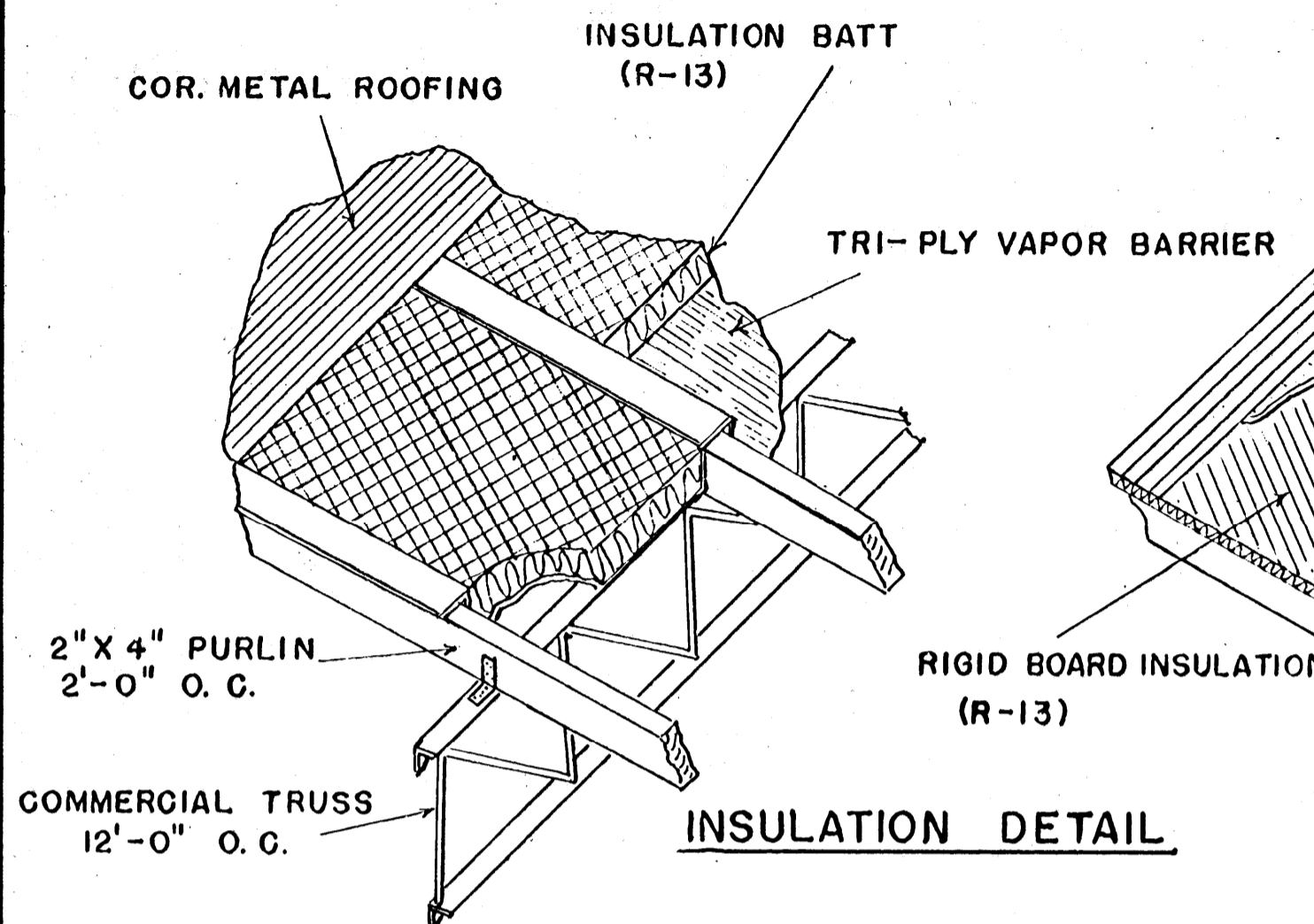


**ROOF FRAMING DETAIL**

COOPERATIVE EXTENSION WORK IN  
 AGRICULTURE AND HOME ECONOMICS  
 STATE OF MISSISSIPPI  
 MISSISSIPPI STATE UNIVERSITY  
 AND  
 UNITED STATES DEPARTMENT OF AGRICULTURE COOPERATING

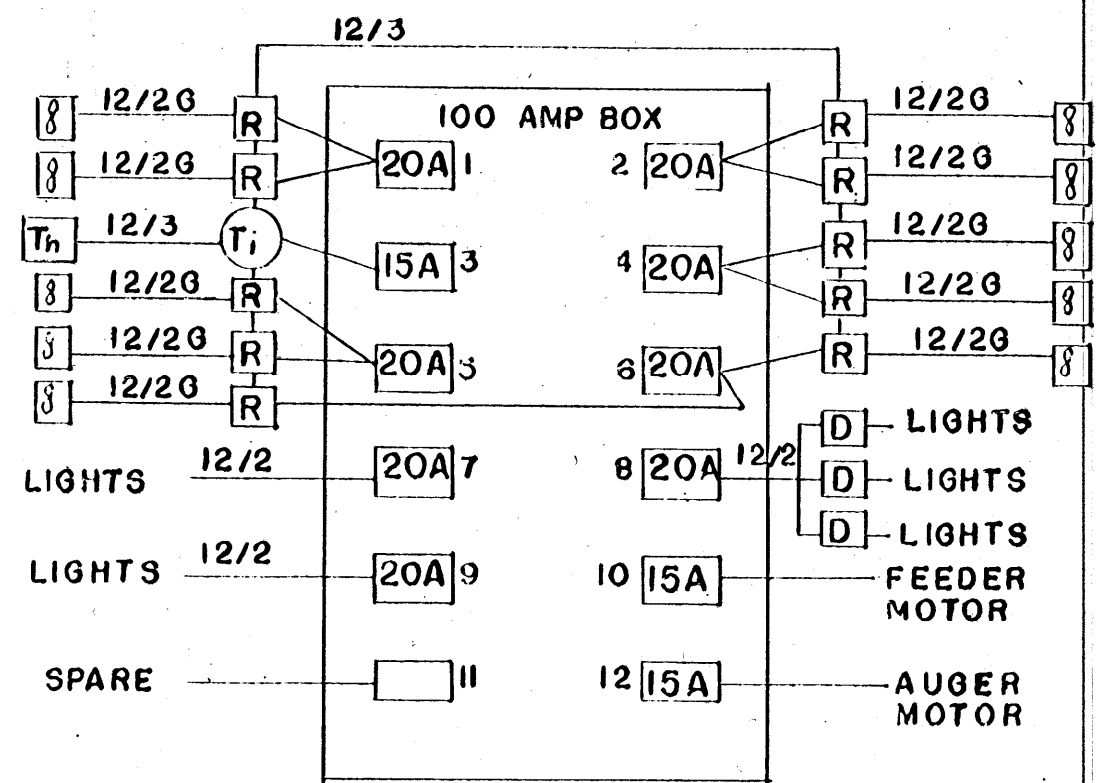
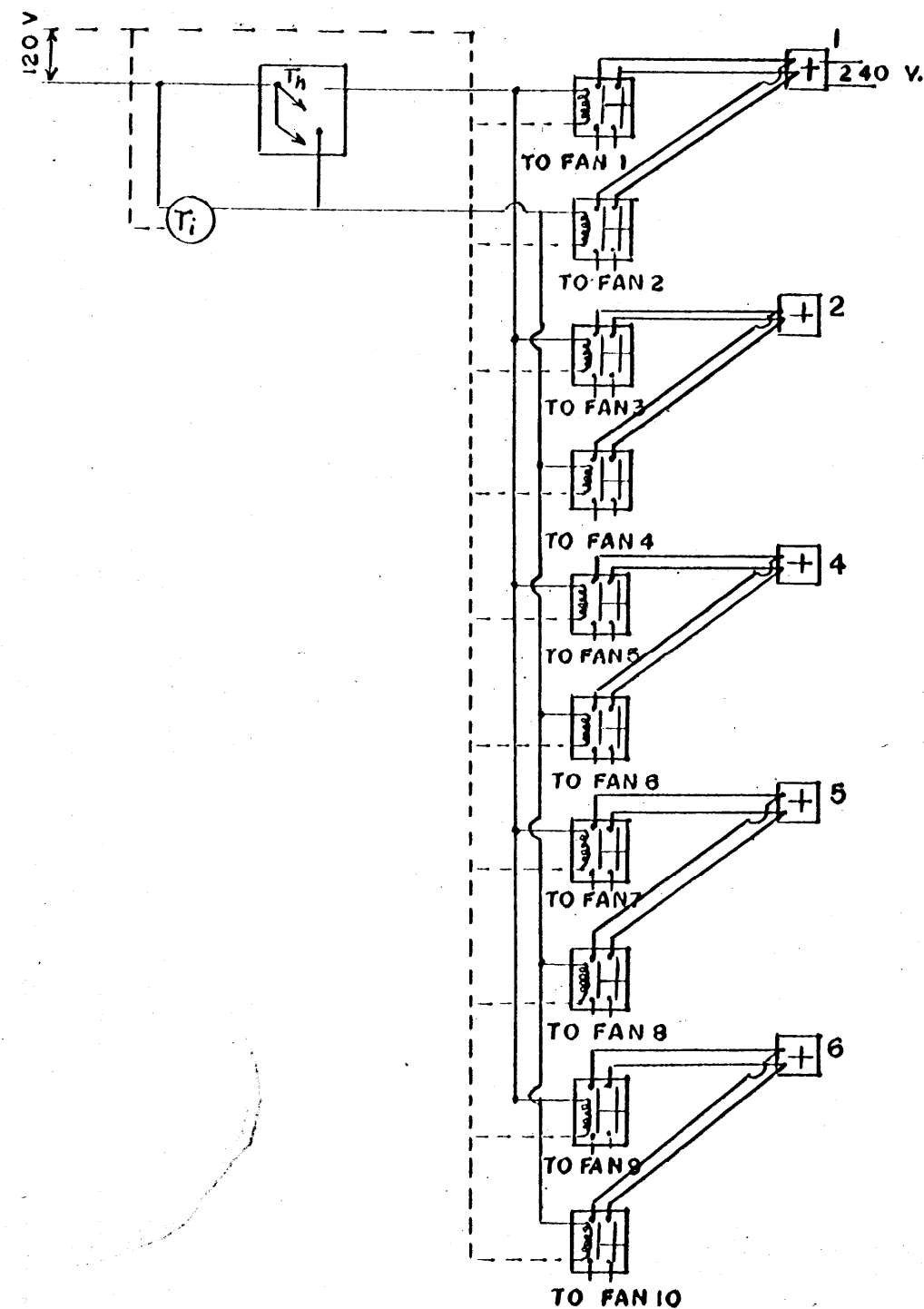
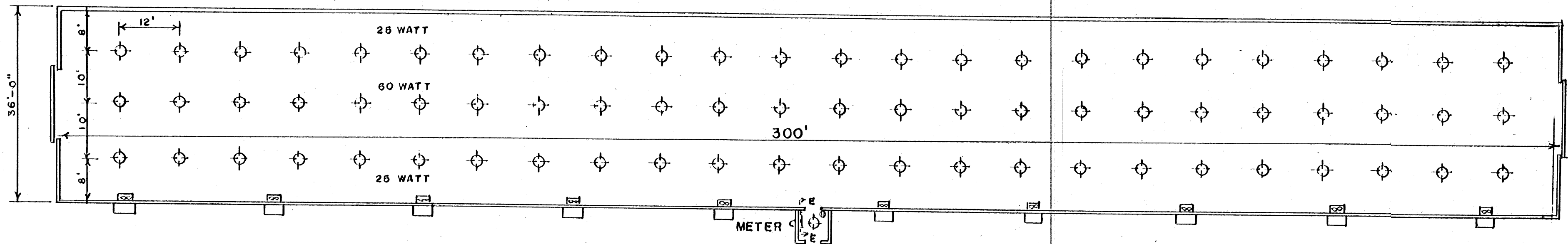
**POULTRY HOUSE**  
 ENVIRONMENTALLY CONTROLLED

ALA.	'69	6087	SHEET 2 OF 4
------	-----	------	--------------



**FAN DETAILS**

COOPERATIVE EXTENSION WORK IN AGRICULTURE AND HOME ECONOMICS		
STATE OF MISSISSIPPI		
MISSISSIPPI STATE UNIVERSITY		
AND UNITED STATES DEPARTMENT OF AGRICULTURE COOPERATING		
<b>POULTRY HOUSE ENVIRONMENTALLY CONTROLLED</b>		
ALA.	'69	6087 SHEET 3 OF 4



SECTION E-E

**ELECTRICAL DIAGRAM**

**240 VOLT CIRCUITS**

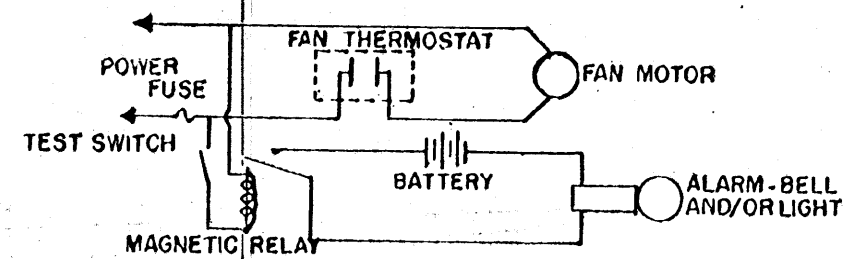
- CIRCUIT BREAKER NO. 1 - 2 FAN CIRCUITS
- CIRCUIT BREAKER NO. 2 - 2 FAN CIRCUITS
- CIRCUIT BREAKER NO. 4 - 2 FAN CIRCUITS
- CIRCUIT BREAKER NO. 10 - FEEDER MOTOR
- CIRCUIT BREAKER NO. 12 - AUGER MOTOR
- CIRCUIT BREAKER NO. 5 - 2 FAN CIRCUITS
- CIRCUIT BREAKER NO. 6 - 2 FAN CIRCUITS

**120 VOLT CIRCUITS**

- CIRCUIT BREAKER NO. 3 - RELAY CONTROL CIR.
- CIRCUIT BREAKER NO. 7 - LIGHTS ON ONE SIDE
- CIRCUIT BREAKER NO. 8 - CENTER LIGHTS WITH DIMMER
- CIRCUIT BREAKER NO. 9 - LIGHTS ON ONE SIDE

**SYMBOLS**

- Ti - TIMER
- Th - THERMOSTAT
- R - RELAY
- D - DIMMER



**BATTERY OPERATED RELAY CONTROLLED ALARM**

COOPERATIVE EXTENSION WORK IN  
 AGRICULTURE AND HOME ECONOMICS  
 STATE OF MISSISSIPPI  
 MISSISSIPPI STATE UNIVERSITY  
 AND  
 UNITED STATES DEPARTMENT OF AGRICULTURE COOPERATING

**POULTRY HOUSE  
 ENVIRONMENTALLY CONTROLLED**