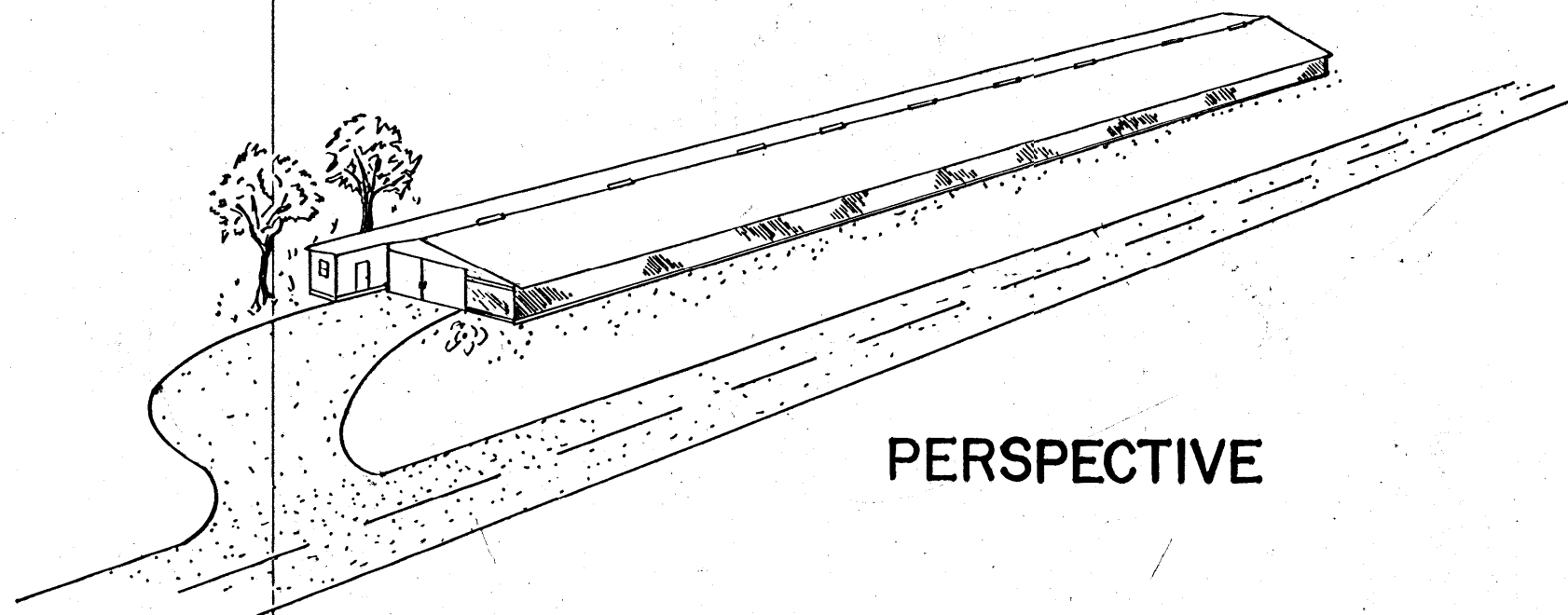
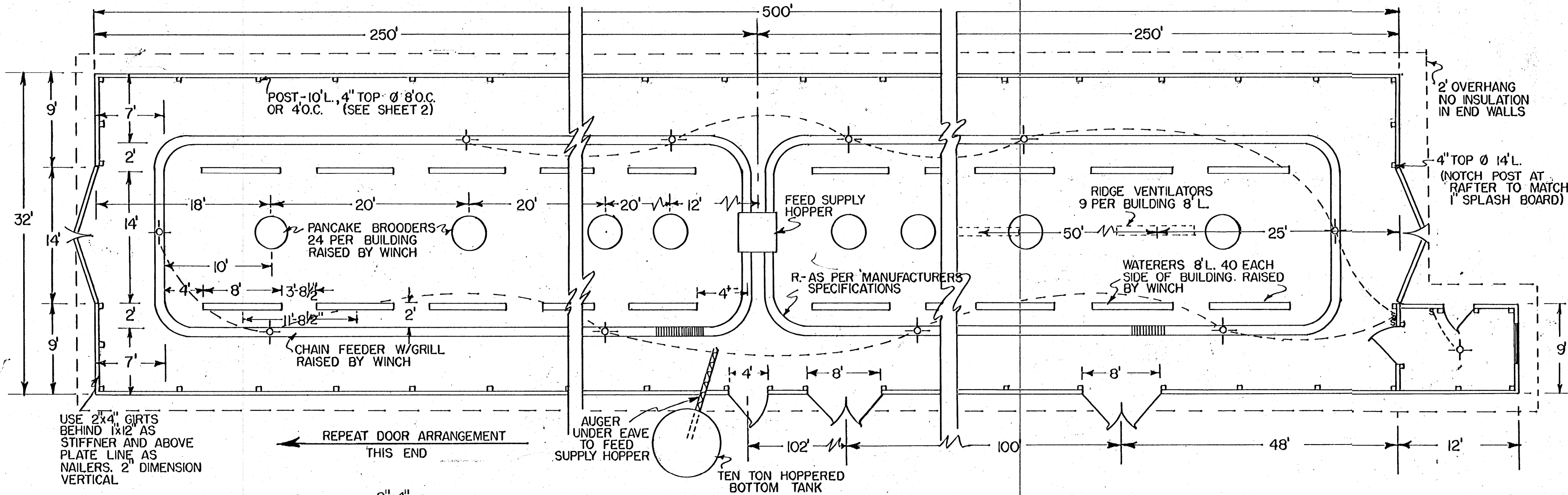


SECTION
SCALE 1/4"=1'-0"

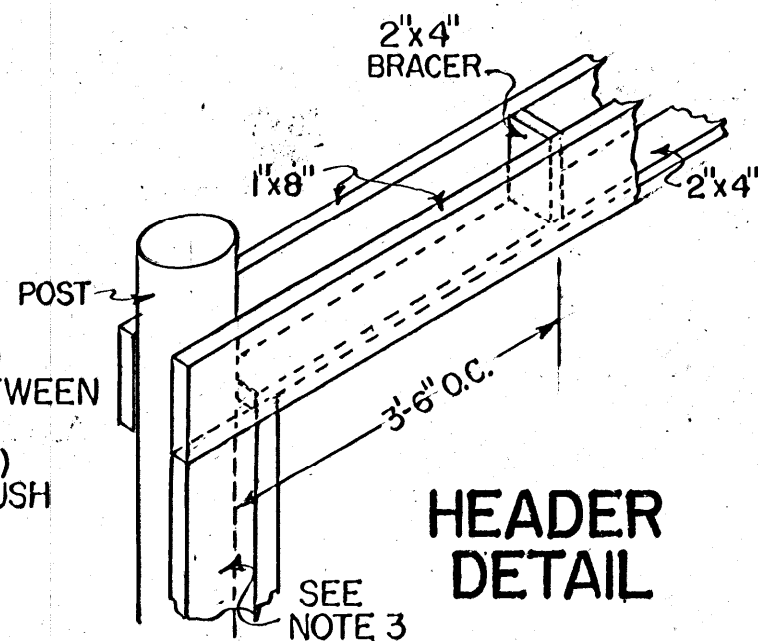


PERSPECTIVE



FLOOR PLAN
SCALE 1/8"=1'-0"

NOTE 3: USE A 1" BOARD TO FILL IN SPACE BETWEEN HEADER & 1"x12" (& SPLASH BOARDS) TO BRING POST FLUSH FOR NAILING METAL SIDING (& SECURING POULTRY NETTING)

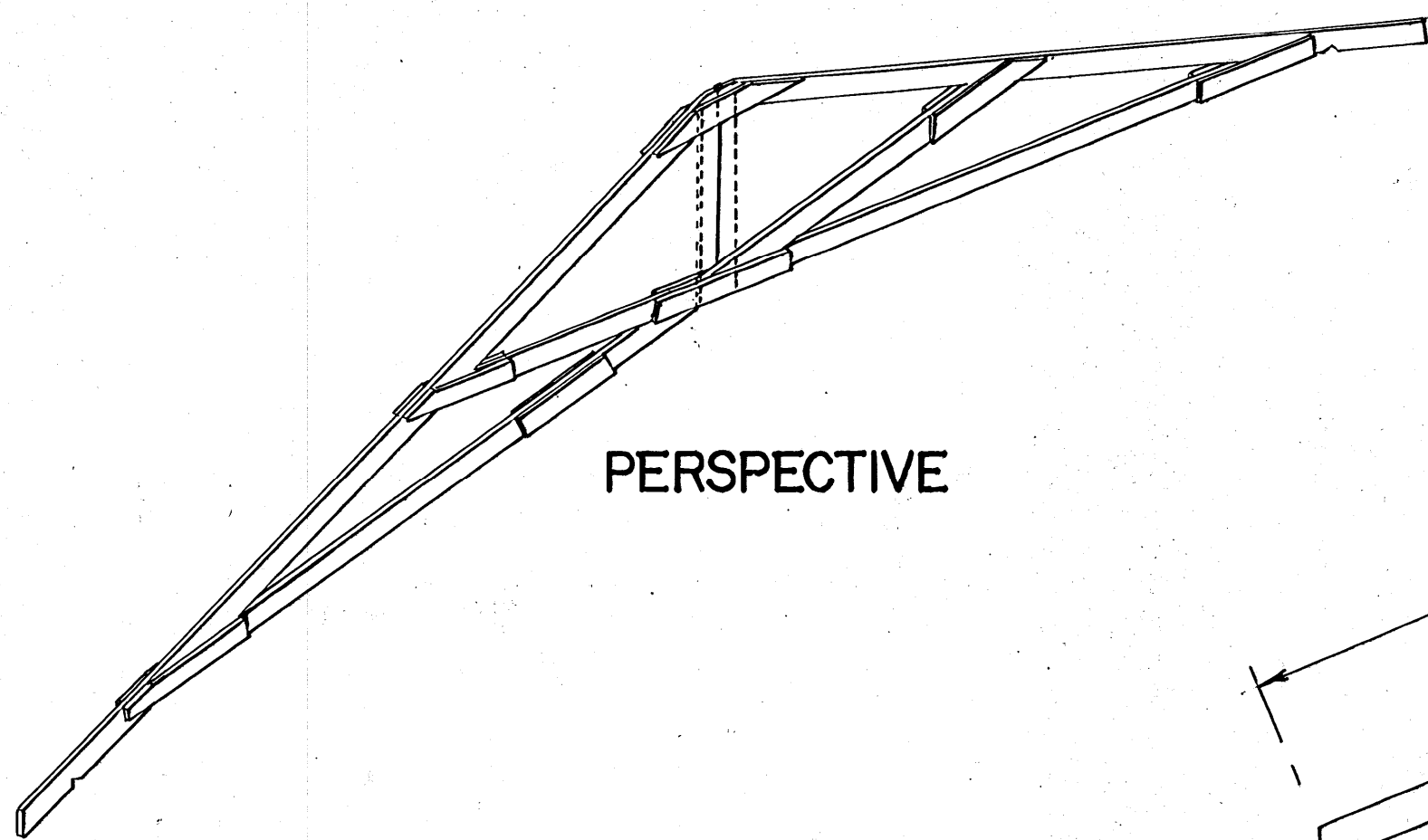


HEADER DETAIL

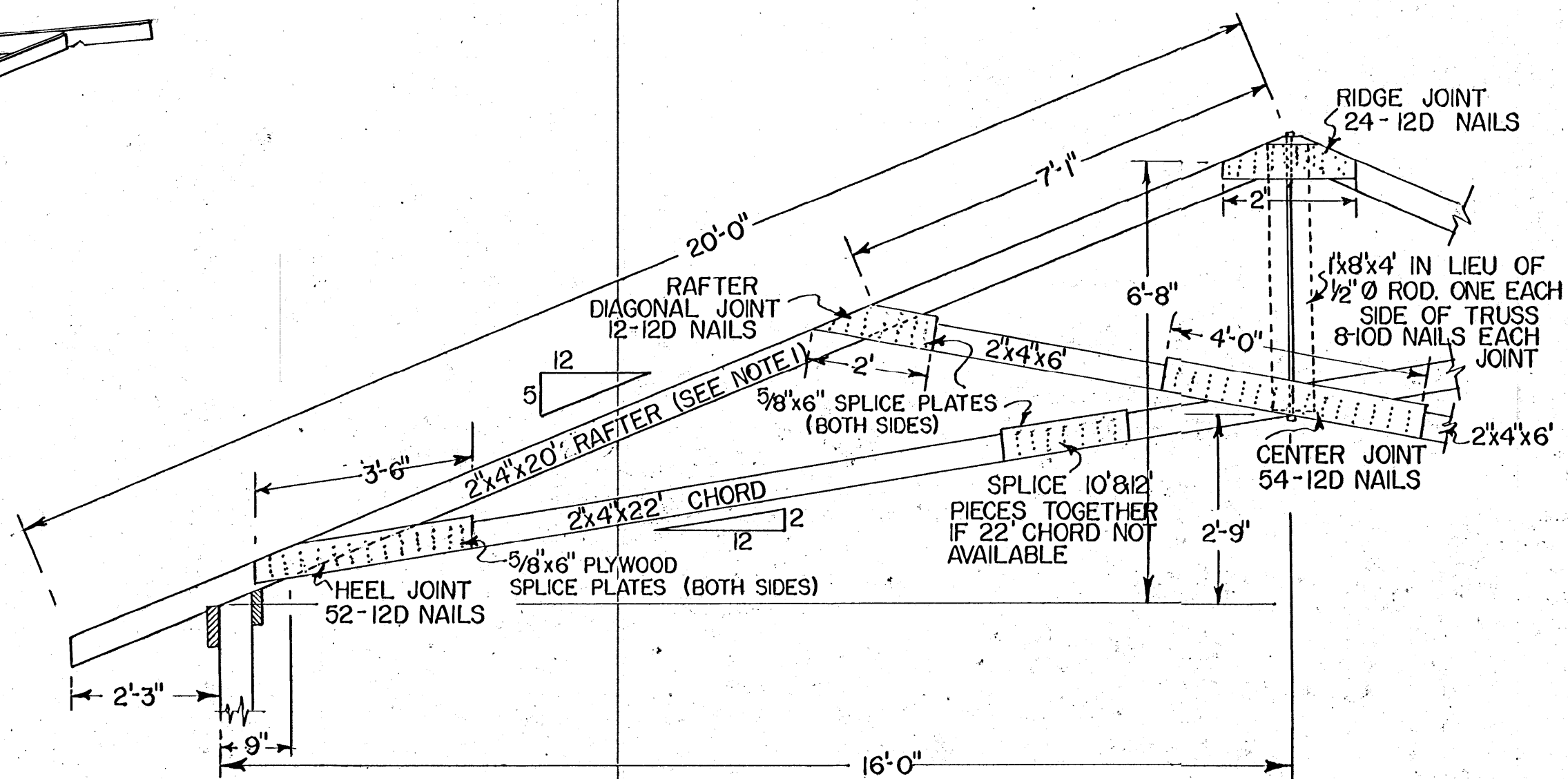
NOTE 1: USE ONE PC. 14'L.-ANCHOR TO DOOR POSTS CONSTRUCT DOORS IN PLACE. SAW TOP & BOTTOM 2"x4"x14' AT CENTER WHEN DOORS ARE FRAMED AND HINGED

NOTE 2: 5/8" PLYWOOD BOTH SIDES NAIL BOTH SIDES W/SCREW SHANK NAILS OR COMMON LONG ENOUGH TO CRIMP

COOPERATIVE EXTENSION WORK IN AGRICULTURE AND HOME ECONOMICS STATE OF MISSISSIPPI MISSISSIPPI STATE UNIVERSITY AND UNITED STATES DEPARTMENT OF AGRICULTURE COOPERATING		
BROILER HOUSE		
MISS '75	6084-A	SHEET 1 OF 2
DRWN. BY- B.B.	CKD. BY- L.M.	



PERSPECTIVE



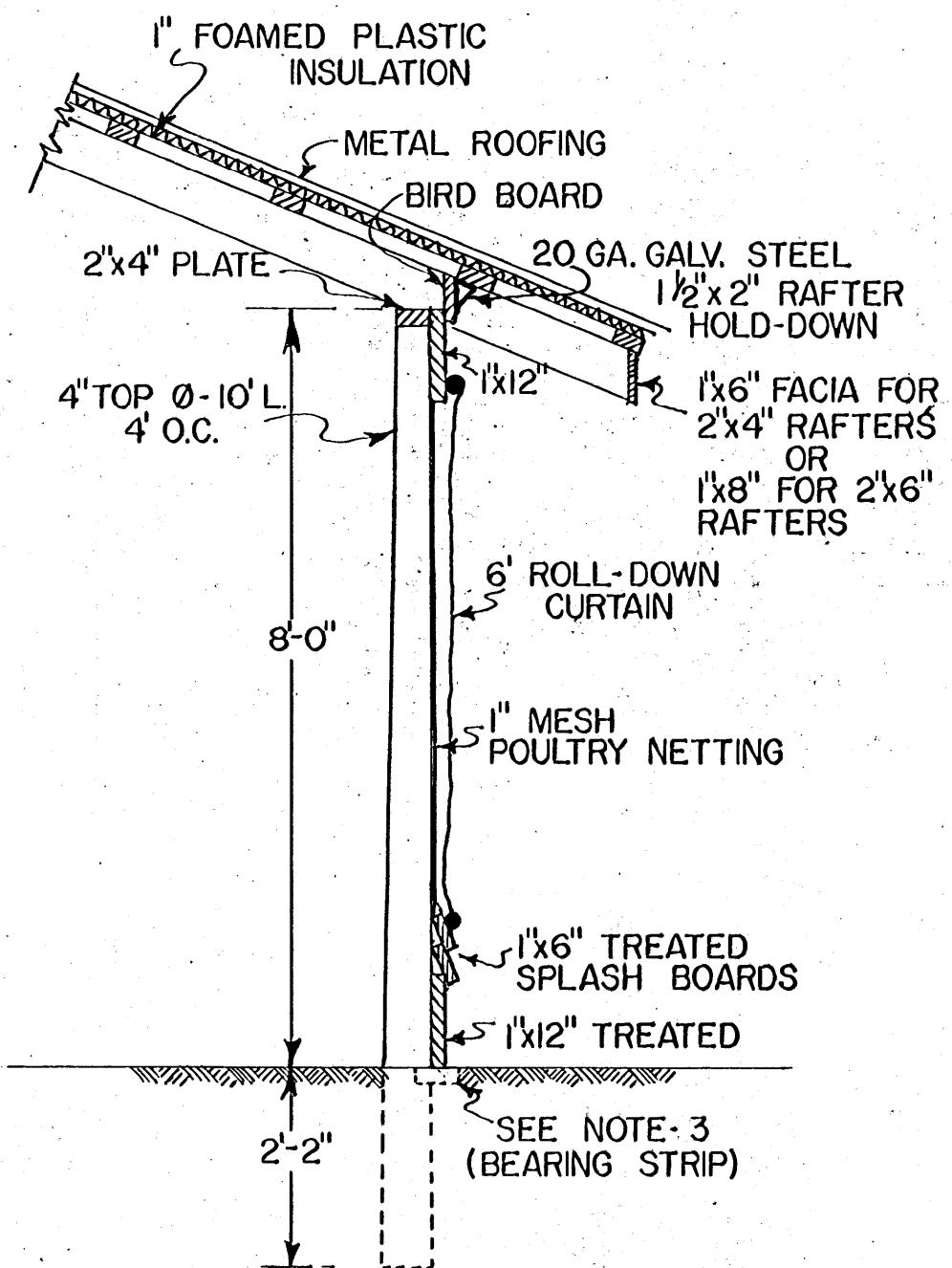
NOTE 1: RAFTER SIZE (2x4") IS BASED ON ROUGH SAWED PINE. IF DRESSED LUMBER IS USED THE RAFTER SIZE SHOULD BE 2x6"x20"

NOTE 2: USE HELICALLY THREADED, HARDENED NAILS. ALL NAILS DRIVEN FROM FRONT. IF COMMON NAILS ARE USED USE 12D AND DRIVE 1/2 THE NUMBER SPECIFIED PER JOINT FROM BACKSIDE

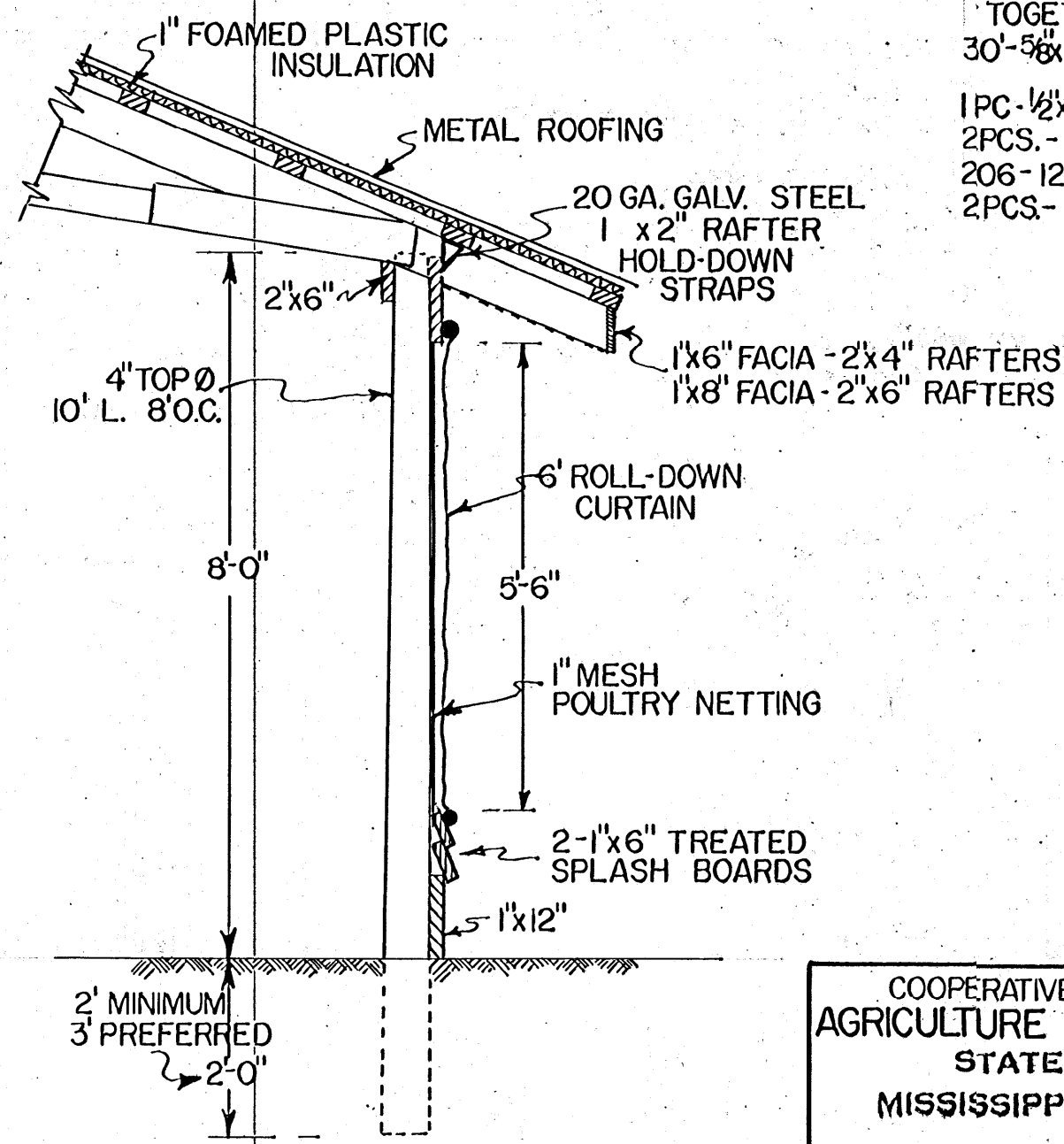
NOTE 3: IT IS SUGGESTED THAT A 2x6" TREATED BOARD BE LAID BETWEEN POSTS OVER ALL FILLS ALONG WALL LINES

MATERIALS PER TRUSS

- 2 PCS.-2x4"x20' (RAFTERS)
- 2 PCS.-2x4"x22' (CHORDS) IF NOT AVAILABLE SPLICE 10'8 1/2" PCS. TOGETHER
- 30'-5/8x6" PLYBOARD (SPLICE PLATES)
- 1 PC.-1/2"x5" (STEEL ROD)
- 2 PCS.-1x8"x4" IN LIEU OF ROD
- 206-12D (THREADED NAILS)
- 2 PCS.- STEEL WASHER



WALL CONSTRUCTION FOR POST SET 4' O.C.



WALL CONSTRUCTION FOR POST SET 8' O.C.

COOPERATIVE EXTENSION WORK IN AGRICULTURE AND HOME ECONOMICS STATE OF MISSISSIPPI MISSISSIPPI STATE UNIVERSITY AND UNITED STATES DEPARTMENT OF AGRICULTURE COOPERATING

BROILER HOUSE

MISS. '75 6084-A SHEET 2 OF 2 DRWN. BY-B.B. CKD. BY-L.M.