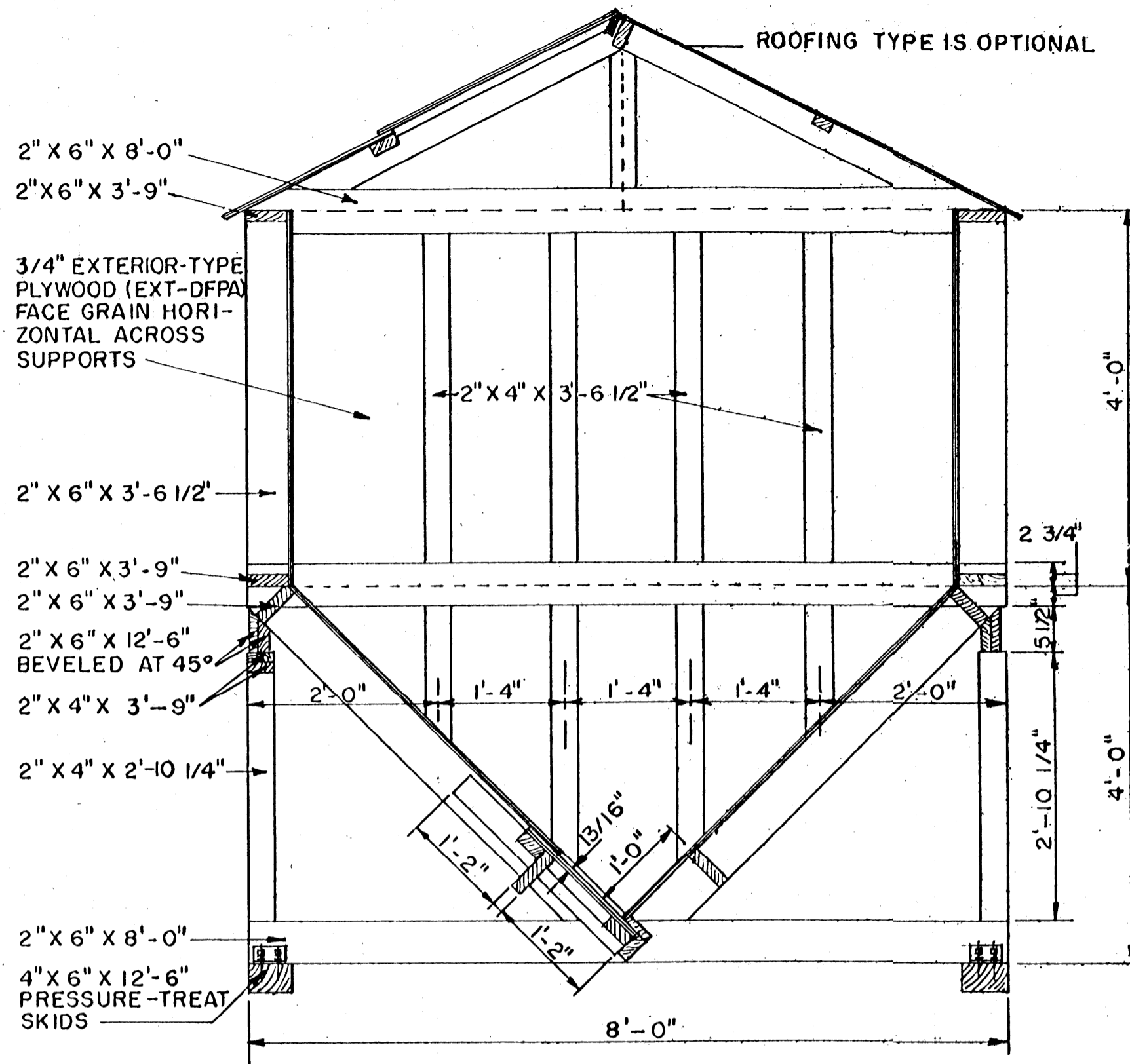


PERSPECTIVE

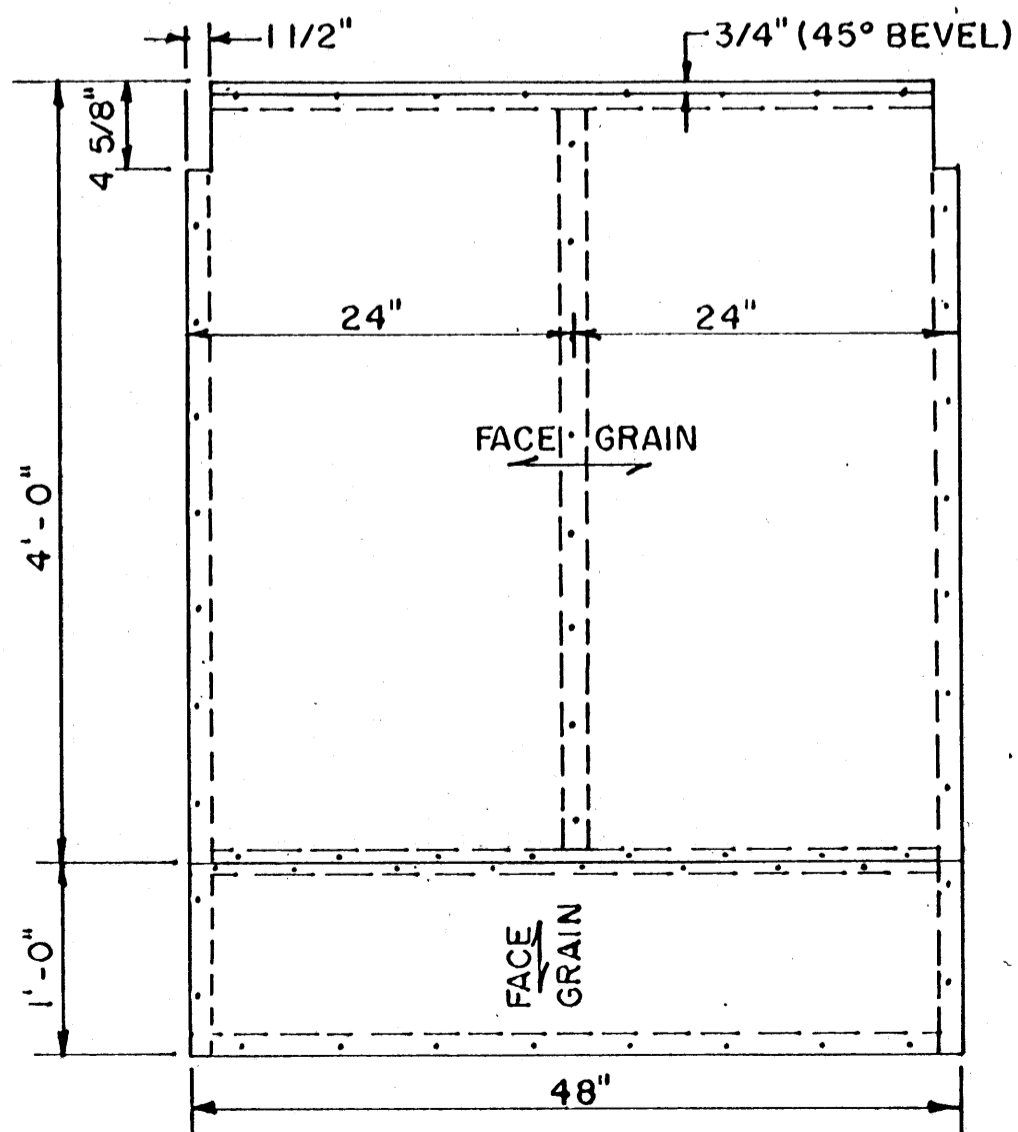


TYPICAL CROSS SECTION

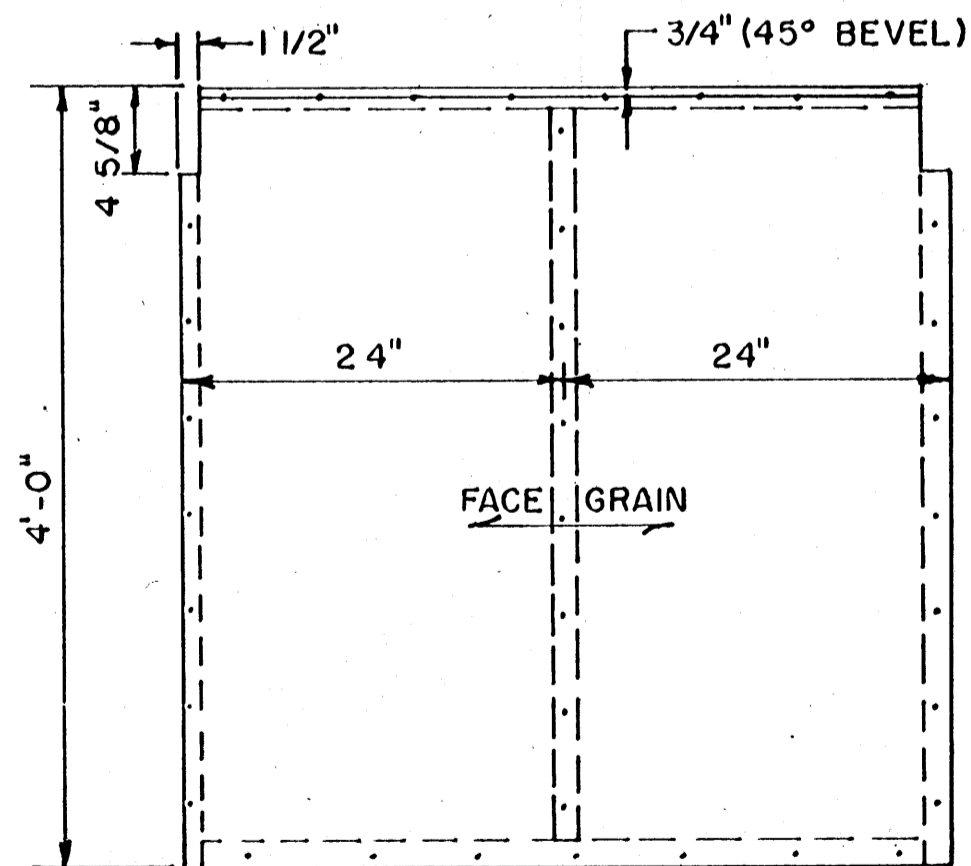
ALL PLYWOOD IS EXTERIOR-TYPE (EXT-DFPA)
 ROOF AND ROOF DOOR PLYWOOD IS 1/2" THICK
 ALL OTHER PLYWOOD IS 3/4" THICK.

NOTES:

- ALL FASTENERS SHOULD BE CORROSION RESISTANT OR STAINLESS STEEL.
- NAILS: USE 8d NAILS 6" O.C. WHEN NAILING PLYWOOD TO SUPPORTS, ON ENDS OF BINS, 16d @ 6" O.C. (BULKHEADS)
- BULKHEADS ARE TIED TOGETHER WITH 1/2" RODS
- THE BIN MAY BE USED ON ANY SUPPORT SYSTEM SUCH AS PIER FOOTINGS, WELL BRACED LEGS OR LOW WALLS WITH FOOTINGS.
- EACH OF THE COMPARTMENTS HOLDS 5 TONS OF 60 PCF FERTILIZER
- THIS SHEET SHOWS A THREE COMPARTMENT BIN FOR BINS WITH MORE OR LESS, THE LENGTHS OF SKIDS AND SIDE MEMBERS SHOULD BE ADJUSTED.



BIN FLOOR DETAIL
CLOSED SIDE



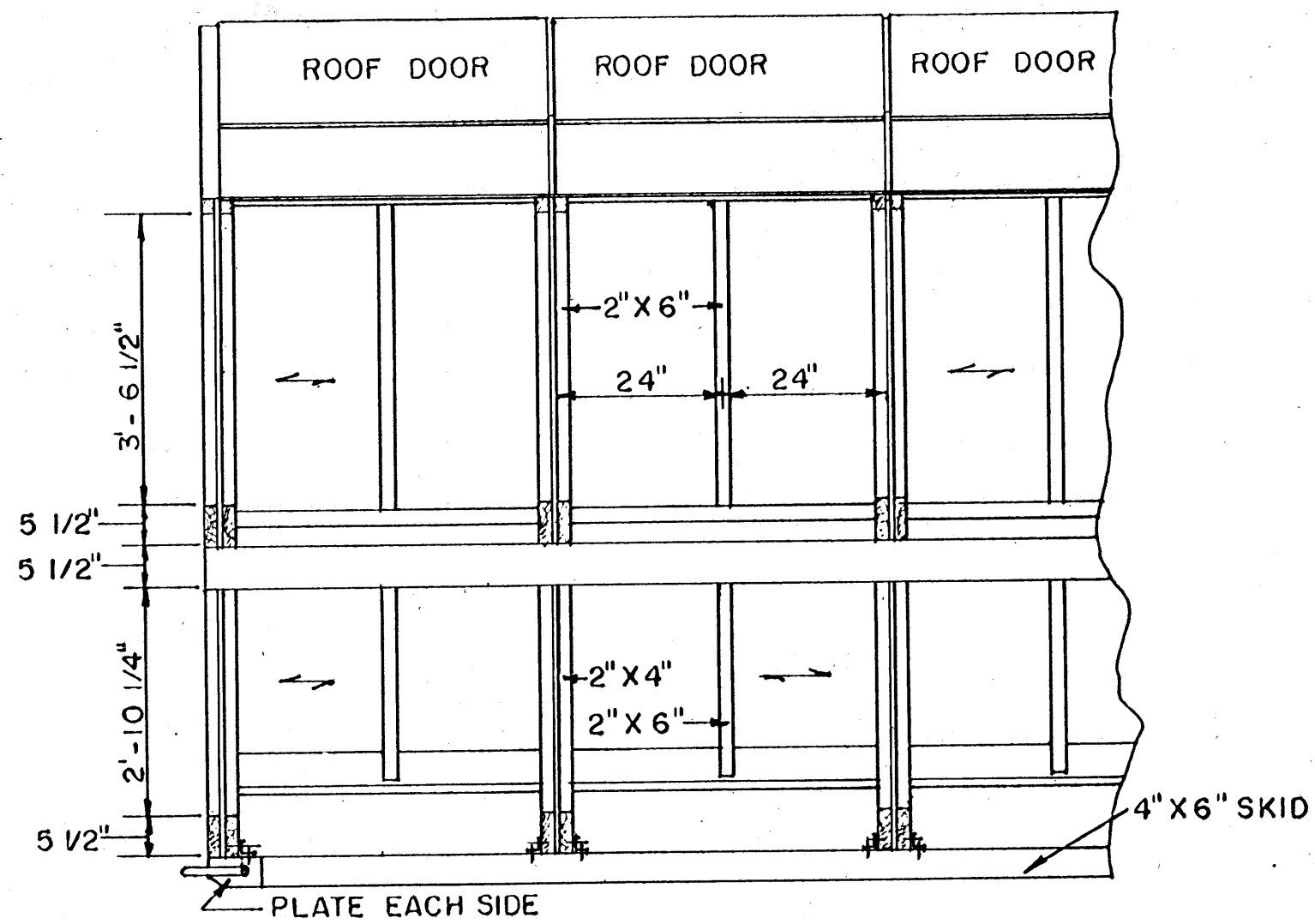
BIN FLOOR DETAIL
DOOR OPENING SIDE

DESIGNED:
 AMERICAN PLYWOOD ASSOCIATION
 TACOMA, WASHINGTON

COOPERATIVE EXTENSION WORK IN
 AGRICULTURE AND HOME ECONOMICS
 STATE OF MISSISSIPPI
 MISSISSIPPI STATE UNIVERSITY
 AND
 UNITED STATES DEPARTMENT OF AGRICULTURE COOPERATING

TRANSPORTABLE STORAGE BIN
 FOR FERTILIZER IN BULK

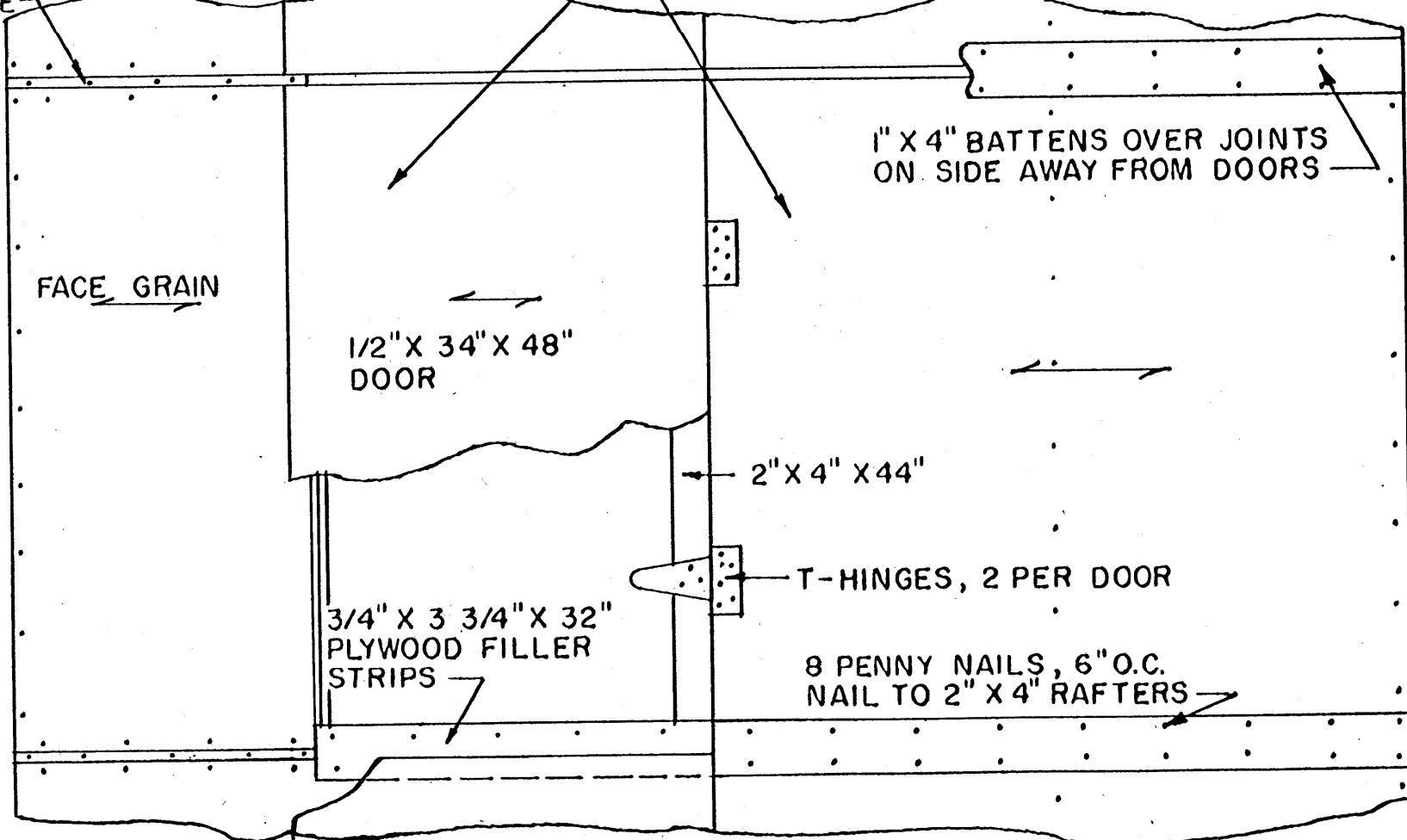
APA	'69	6072	SHEET 1 OF 3
-----	-----	------	--------------



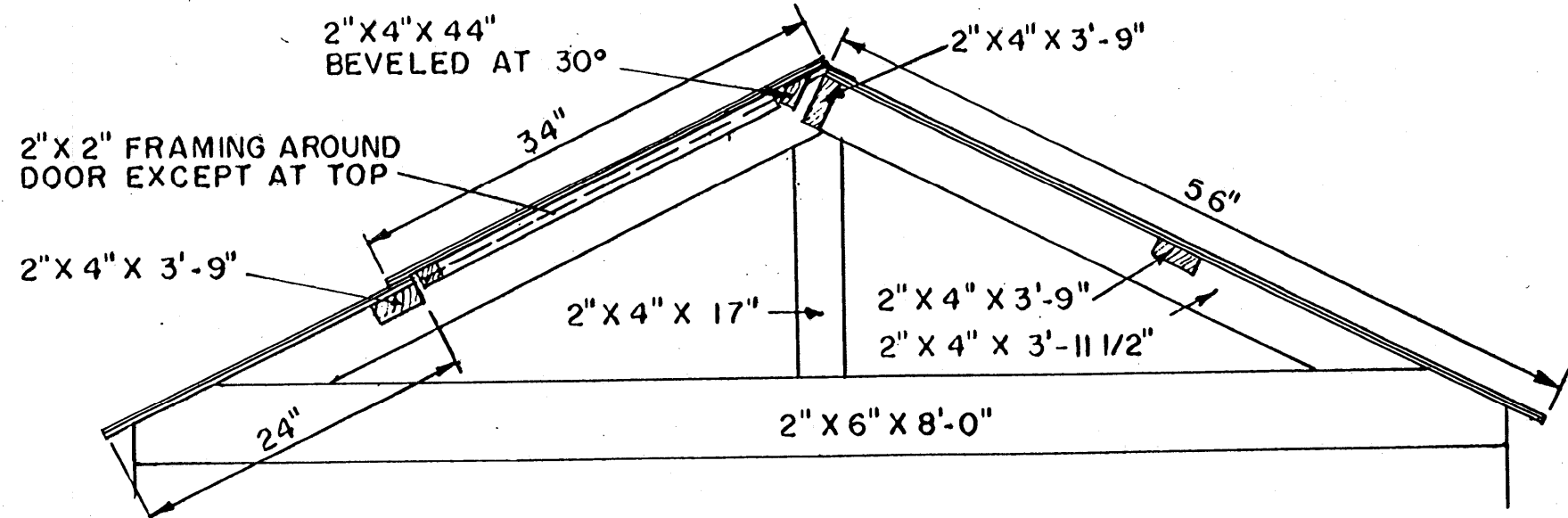
SIDE VIEW

1/2" X 3/4" X 24" PLYWOOD FILLER STRIPS BETWEEN ROOF PANELS ON DOOR SIDE

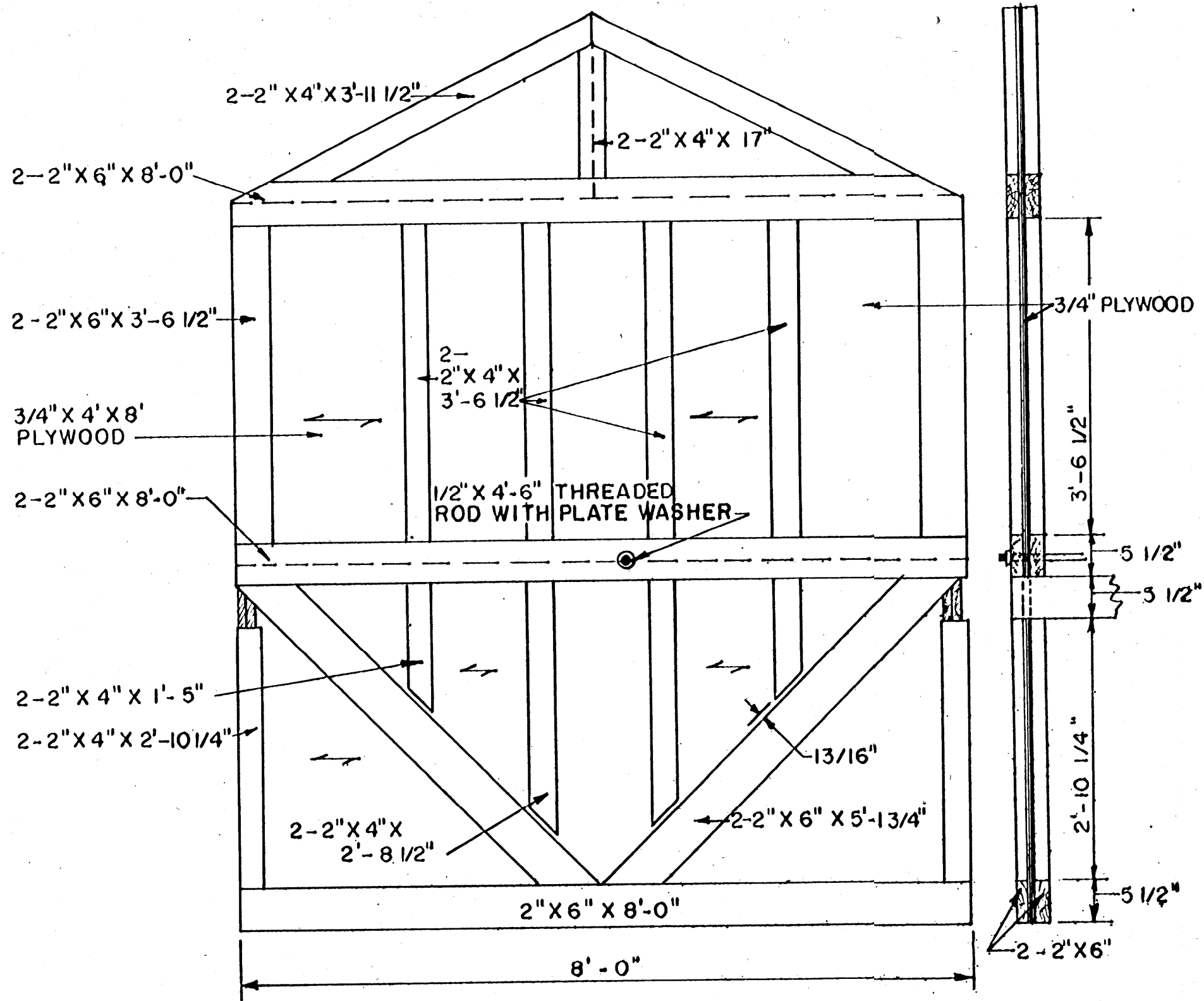
ROOFING - 1/2" EXTERIOR - TYPE (EXT - DFPA) A-C GRADE. FACE GRAIN UP SLOPE



ROOF PLAN



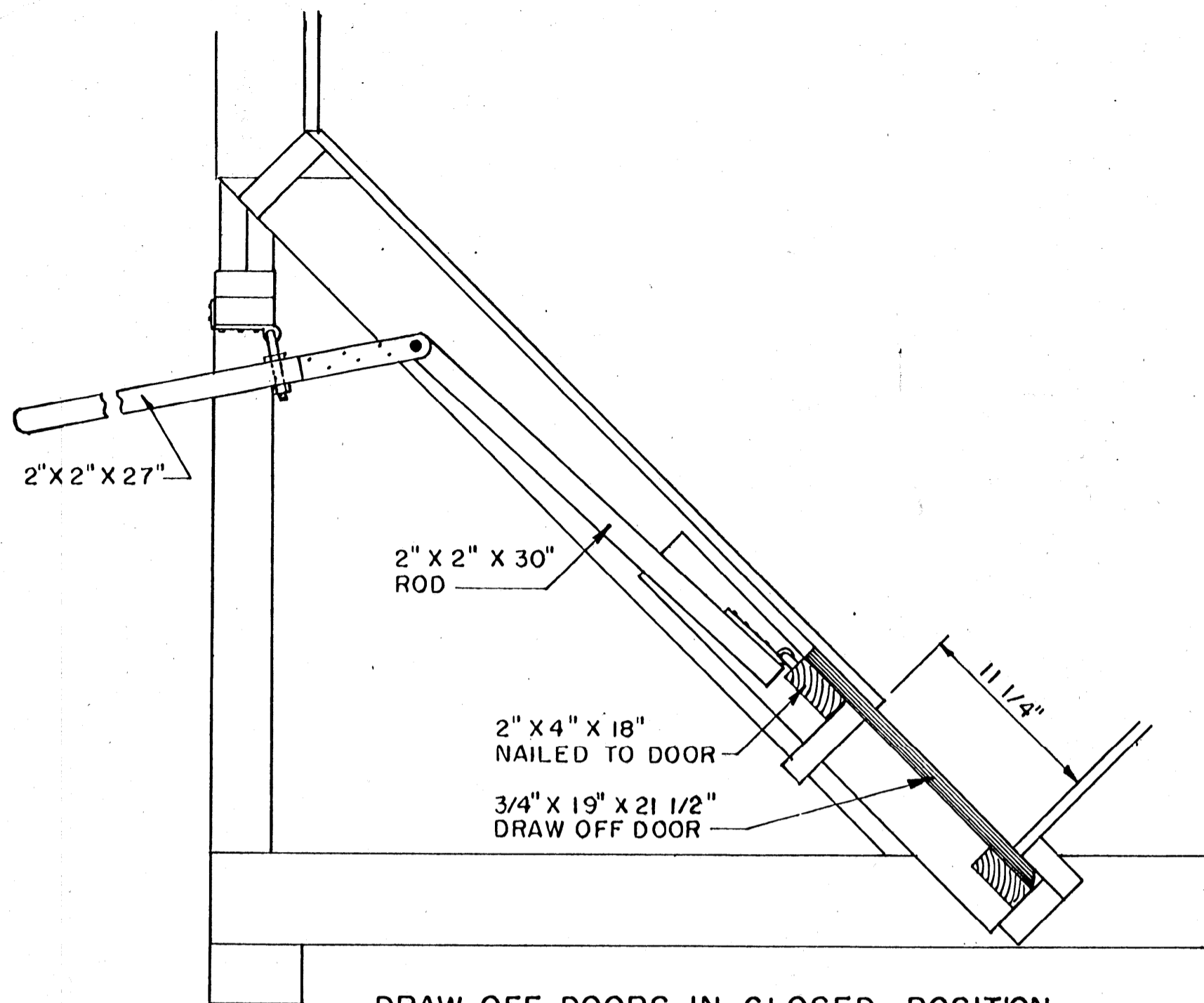
ROOF SECTION



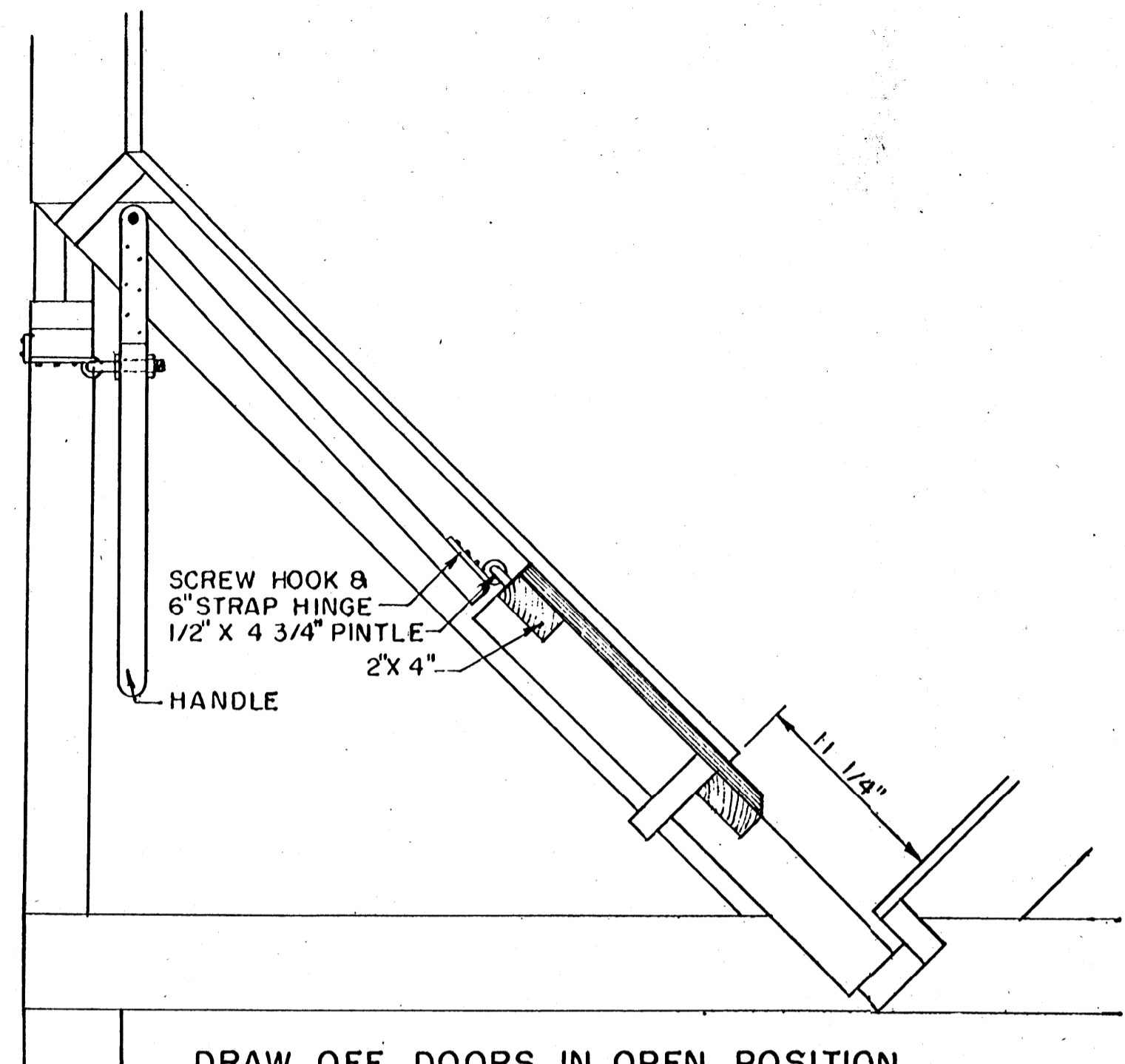
TYPICAL BULKHEAD

NOTES: USE 16 PENNY NAILS, 6" O.C. IN 2 ROWS, STAGGERED FOR BULKHEAD CONSTRUCTION.
STAGGER THREADED RODS IN ADJACENT BINS

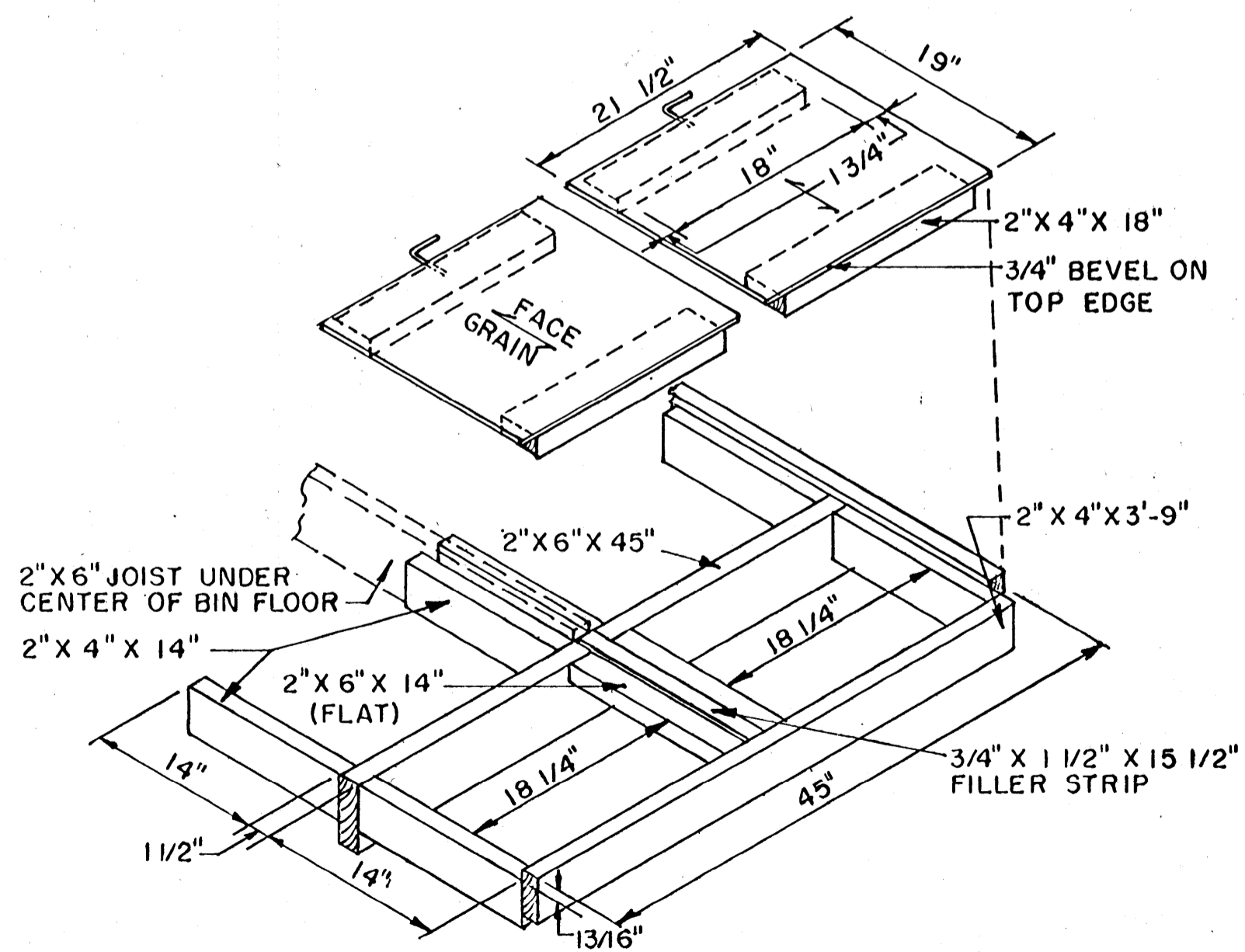
COOPERATIVE EXTENSION WORK IN AGRICULTURE AND HOME ECONOMICS			
STATE OF MISSISSIPPI			
MISSISSIPPI STATE UNIVERSITY			
AND UNITED STATES DEPARTMENT OF AGRICULTURE COOPERATING			
TRANSPORTABLE STORAGE BIN FOR FERTILIZER IN BULK			
APA	'69	6072	SHEET 2 OF 3



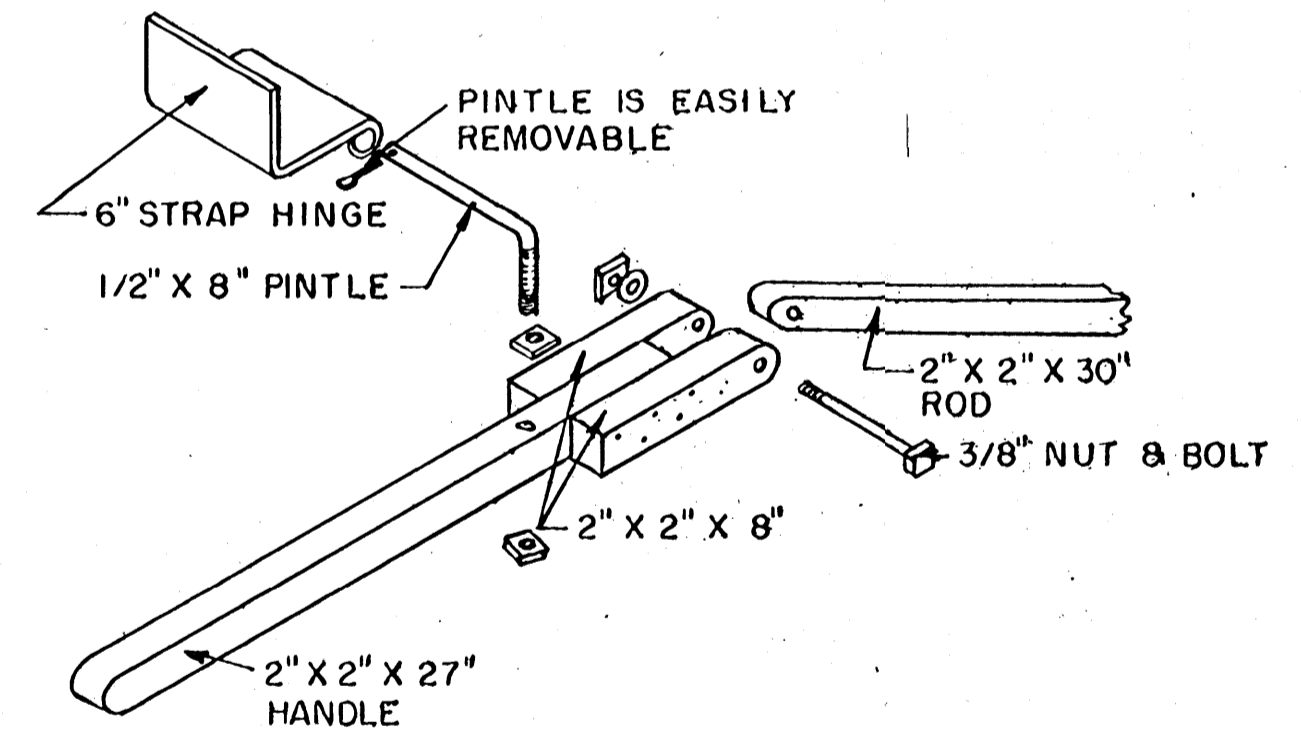
DRAW OFF DOORS IN CLOSED POSITION



DRAW OFF DOORS IN OPEN POSITION



DRAW OFF DOORS AND FRAMING SUPPORTS



HANDLE AND ROD ASSEMBLY FOR DRAW OFF DOORS

NOTES:
HANDLE AND ROD ASSEMBLY IS INTENDED FOR EASY REMOVAL AND ONE OR TWO MAY BE ALL THAT IS REQUIRED FOR MULTIPLE UNITS

COOPERATIVE EXTENSION WORK IN AGRICULTURE AND HOME ECONOMICS
STATE OF MISSISSIPPI
MISSISSIPPI STATE UNIVERSITY
AND
UNITED STATES DEPARTMENT OF AGRICULTURE COOPERATING

TRANSPORTABLE STORAGE BIN FOR FERTILIZER IN BULK

APA	'69	6072	SHEET 3 OF 3
-----	-----	------	--------------