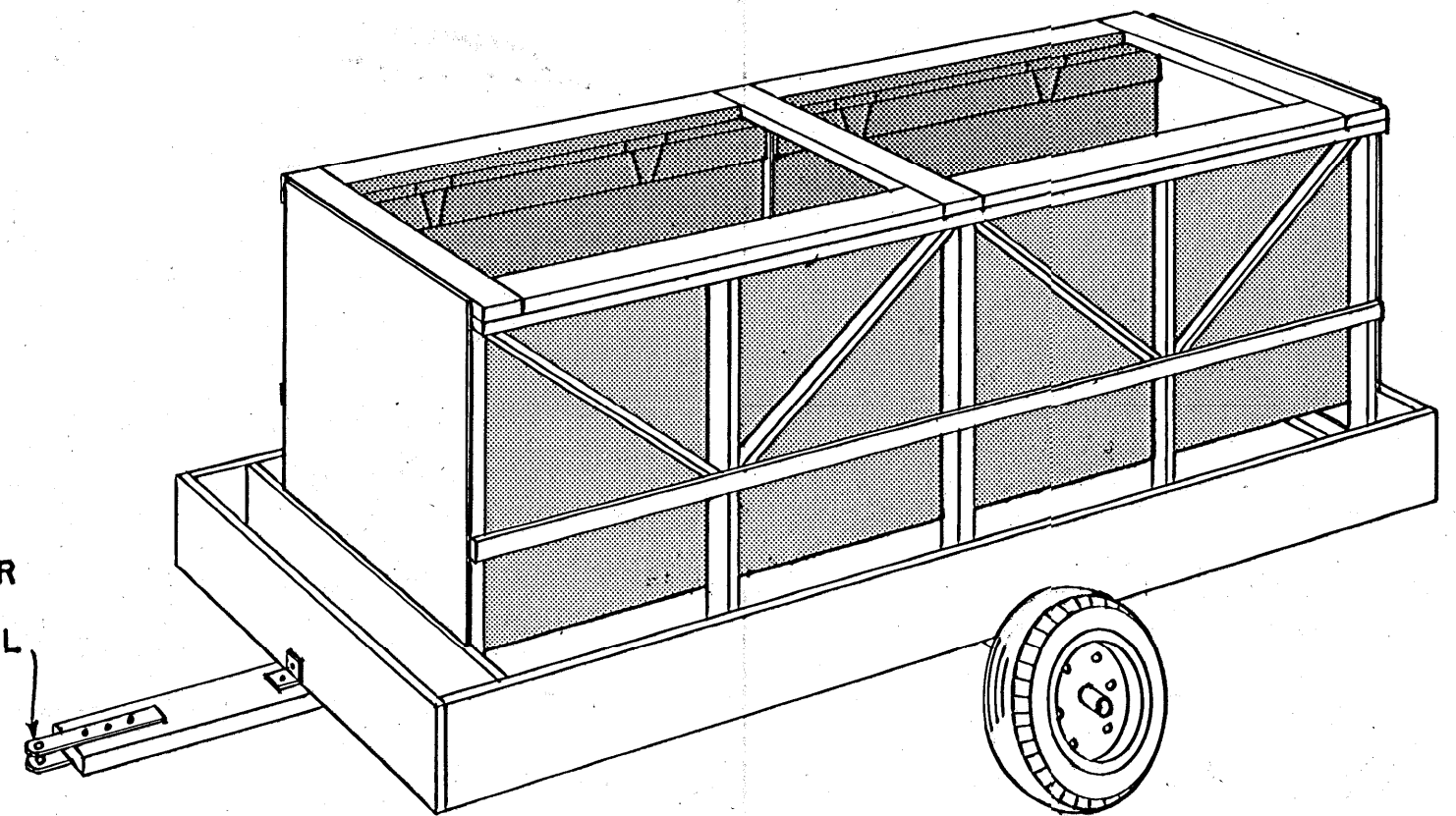


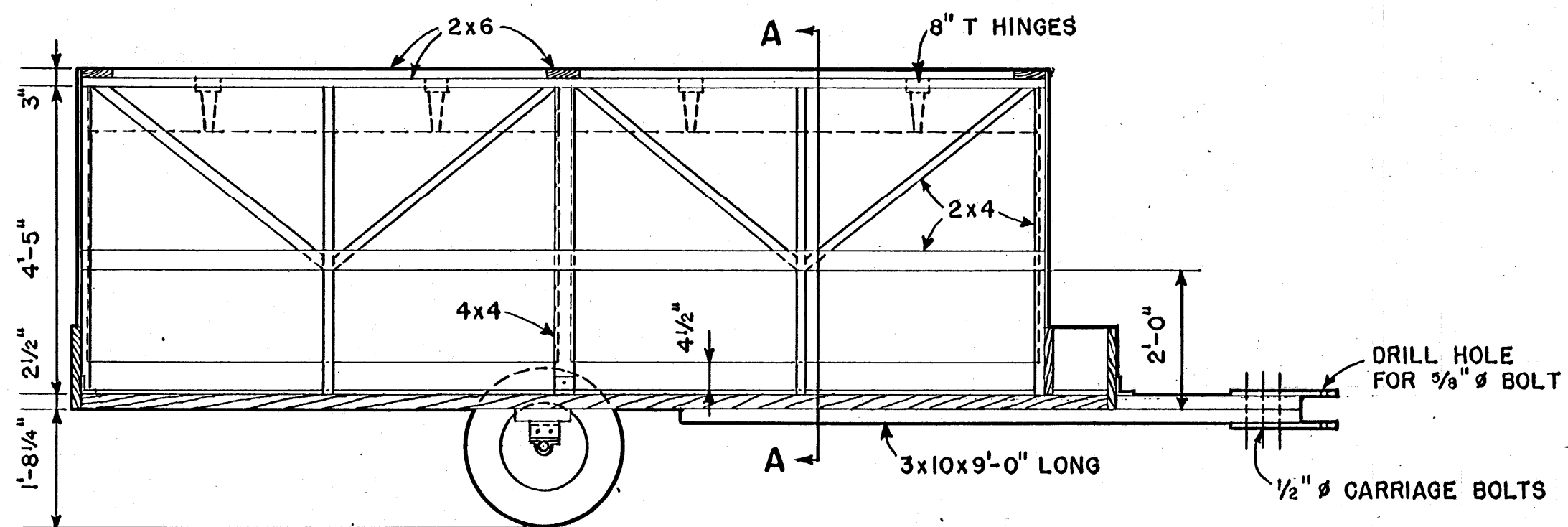
TOP VIEW OF BED FRAME



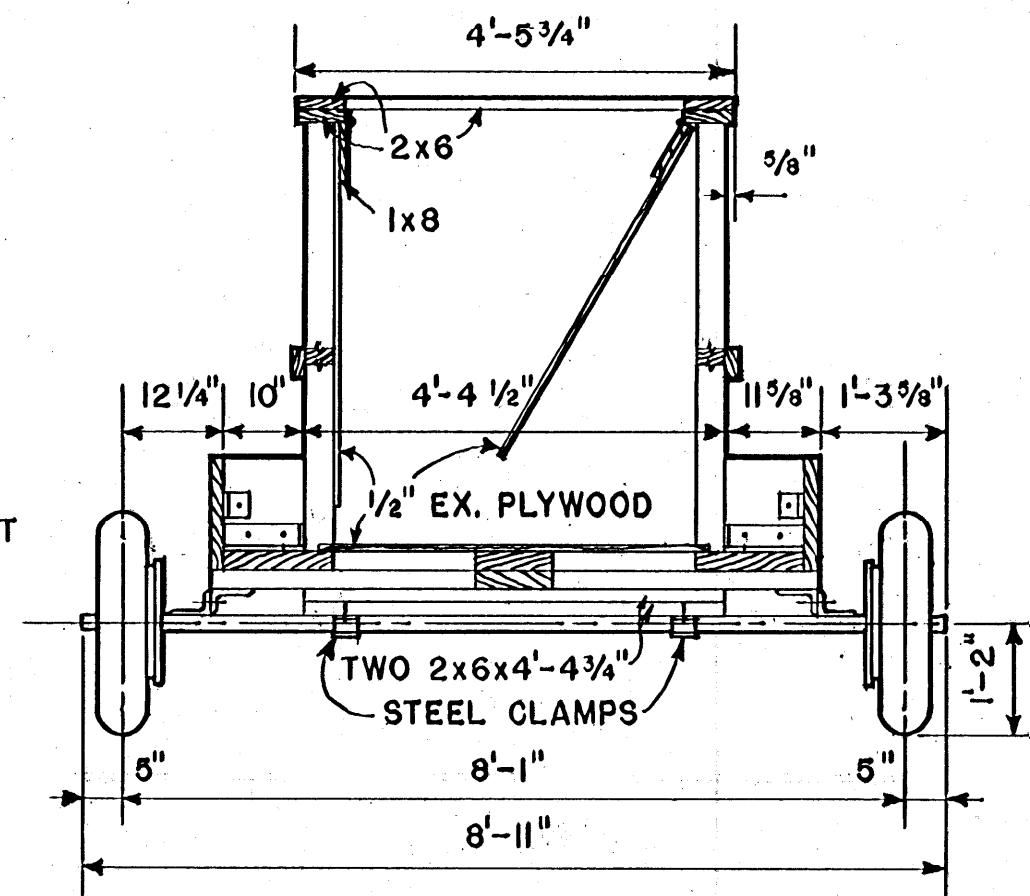
PERSPECTIVE

CONSTRUCTION DETAILS MAY BE MODIFIED TO USE LUMBER AT HAND. JOINTS SHOULD BE WELL NAILED. BOLT THE METAL ANGLE IRON. THIS CONSTRUCTION CAN BE ADAPTED FOR TRAILER MOUNTING, SKIDS, OR PERMANENT, IN-PLACE FEEDERS.

SCALE: 1/2" = 1'-0"



SIDE VIEW WITH THE 2x14 BOARD OFF



SECTION A-A

COOPERATIVE EXTENSION WORK IN AGRICULTURE AND HOME ECONOMICS  
 STATE OF MISSISSIPPI  
 MISSISSIPPI STATE UNIVERSITY  
 UNITED STATES DEPARTMENT OF AGRICULTURE COOPERATING

**SELF-FEEDER FOR CATTLE**

ORE. '68	EX. 6045	SHEET 1 OF 1
----------	----------	--------------