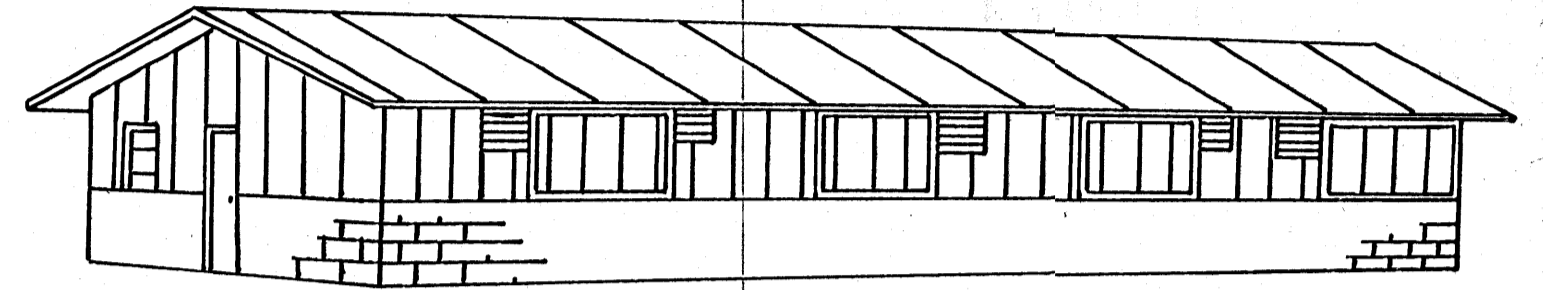


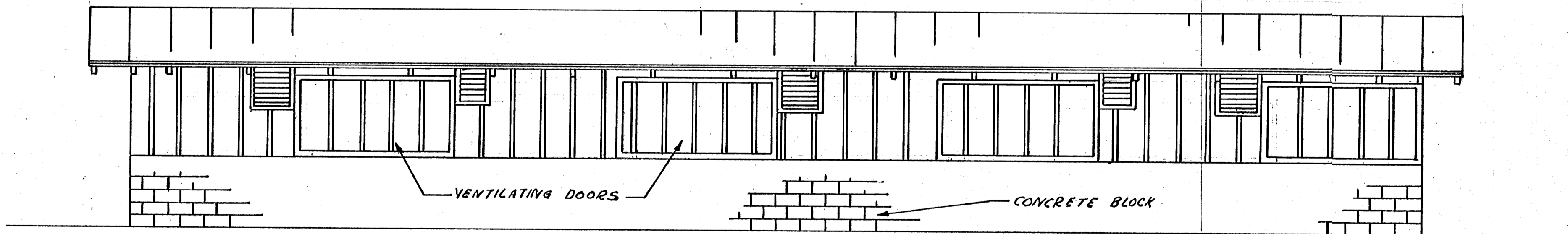
FRONT-ELEVATION

SCALE - 1/4" = 1'



PERSPECTIVE

NO SCALE



SIDE-ELEVATION

SCALE - 1/4" = 1'

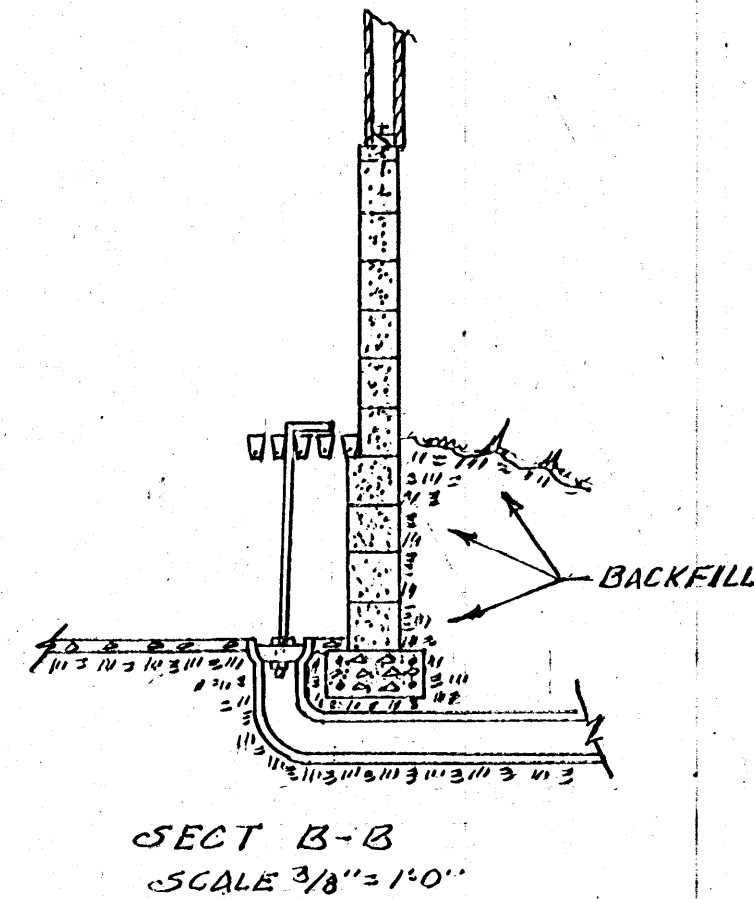
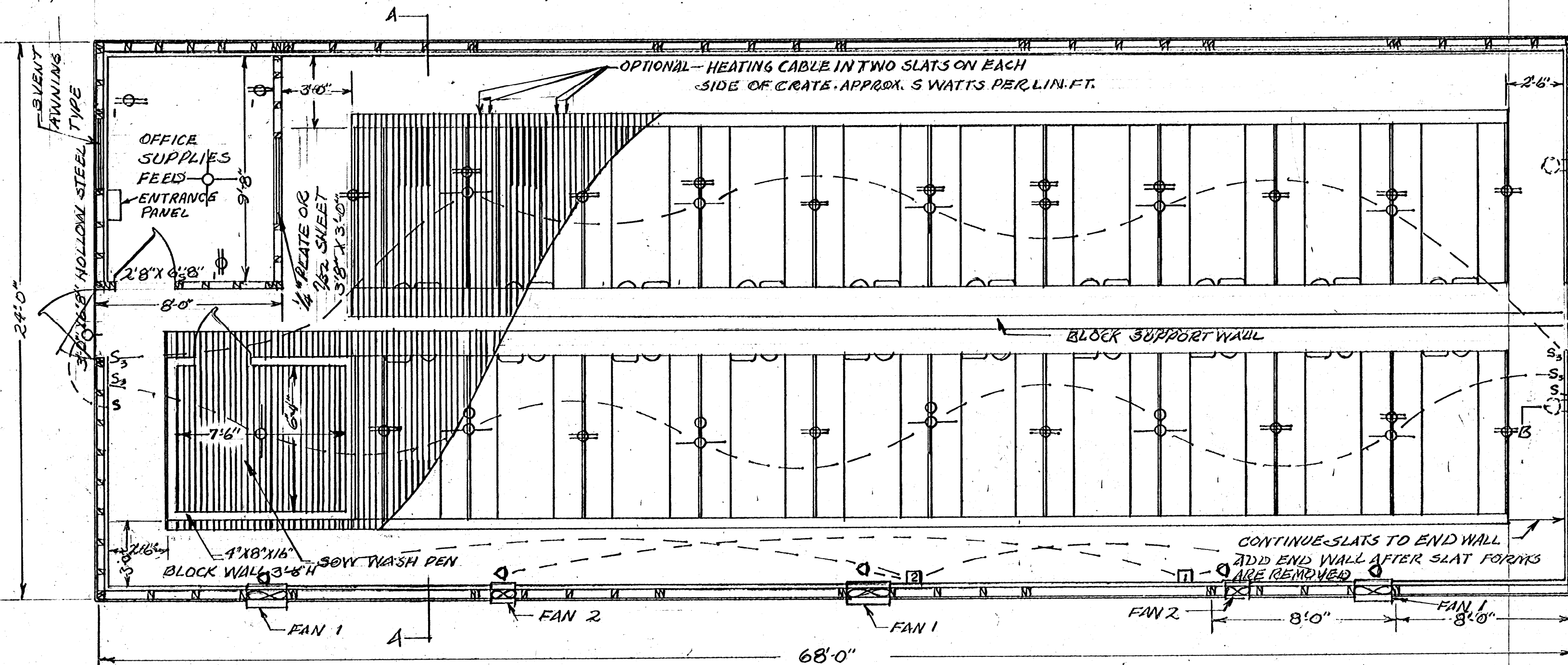
20 SOW EXPANDED METAL SLATTED
FLOOR FARROWING BUILDING

COOPERATIVE EXTENSION SERVICE
STATE OF MISS. MISS. STATE UNIV.
AND
U.S. DEPT. OF AGRIC. COOPERATING

DWN BY: E.A. CHECKED BY: L.M.

OCT. 1969 NO. 6032-B SHEET 1 of 4

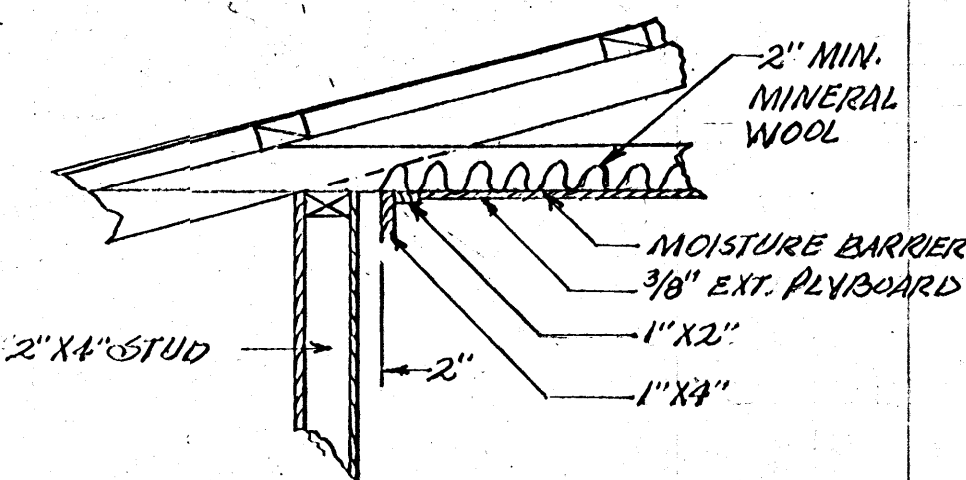
- ELECTRICAL LEGEND**
- ENTRANCE PANEL; 16 CIRCUITS WITH MAIN DISCONNECT (100 AMP)
 - ⊕ DUPLEX CONVIENCE OUTLET W/GROUND, CEILING MOUNTED
 - ⊕ DUPLEX CONVIENCE OUTLET W/GROUND WALL MOUNTED, 18" ABOVE FLOOR
 - ⊕ SPECIAL PURPOSE OUTLET FOR FANS
 - ⊕ INTERVAL TIME SWITCH, CLOSED 2 MIN. OUT OF 10 MIN.
 - ⊕ THERMOSTAT; LIMIT LOW TEMPERATURE OPERATION TO NOT LESS THAN 10° F
- ALL WIRING TO MEET THE NATIONAL ELECTRICAL CODE REQUIREMENTS.



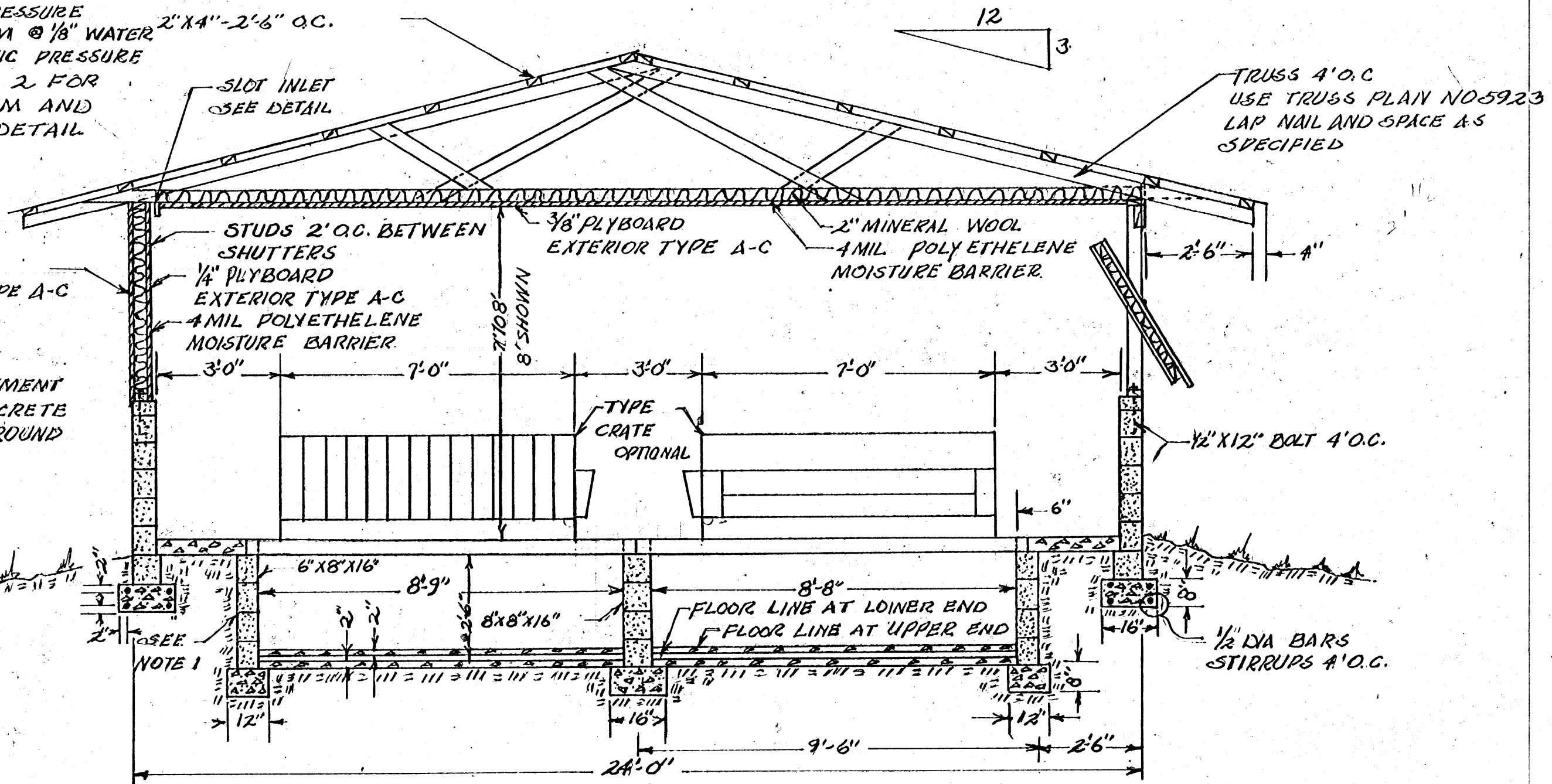
FAN SPECIFICATIONS

FAN 1 8000 CFM @ 1/8" WATER GAGE
STATIC PRESSURE
FAN 2 1000 CFM @ 1/8" WATER GAGE
STATIC PRESSURE
SEE SHEET NO. 2 FOR WIRING DIAGRAM AND INSTALLATION DETAIL

FLOOR PLAN
SCALE 1/4" = 1'-0"



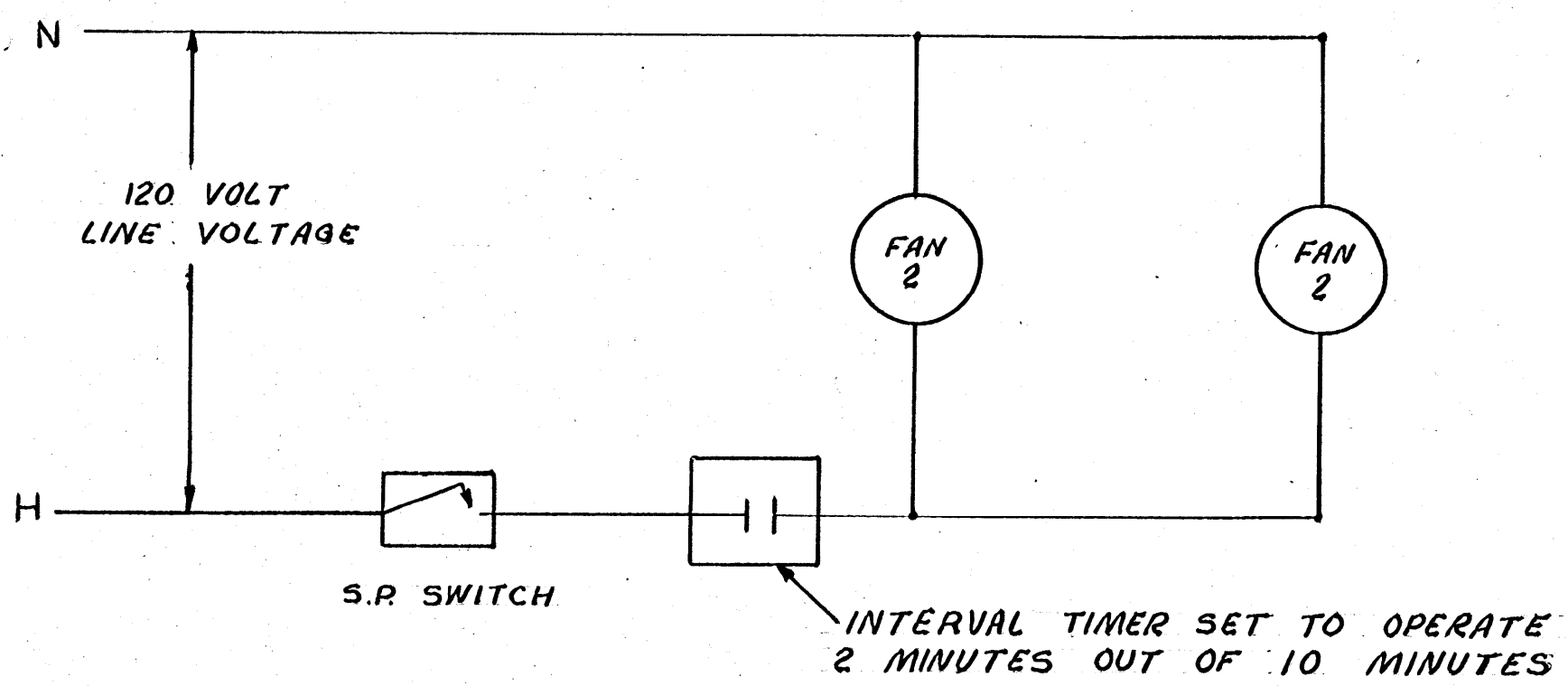
SLOT INLET DETAIL
SCALE 3/4" = 1'-0"



SECTION A-A
SCALE 3/8" = 1'-0"

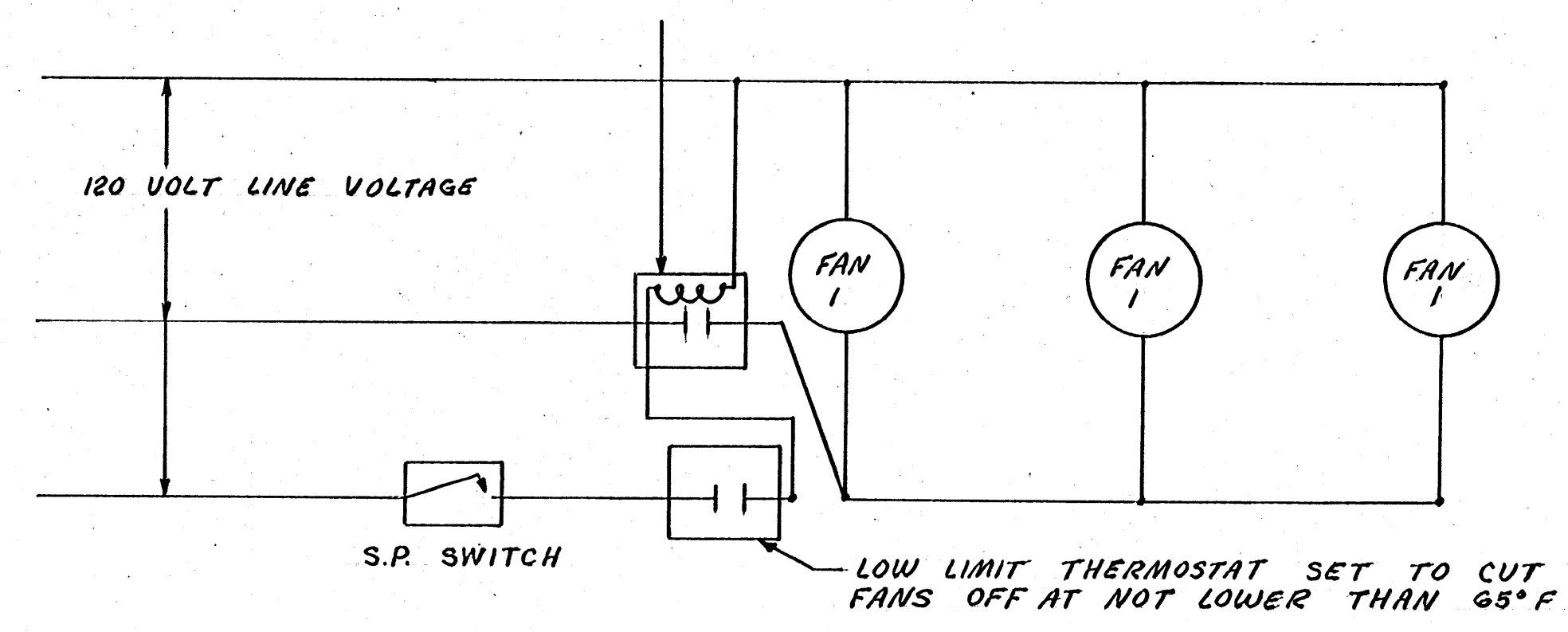
NOTE 1
MORTAR JOINT REINFORCEMENT SHOULD BE USED ON CONCRETE BLOCK WALLS BELOW GROUND DURO-WALL OR EQUAL

20 SOW SLATTED FLOOR FARROWING BUILDING	
Cooperative Extension Service, STATE OF MISS. MISS. STATE UNIV. and U.S. DEPT. OF AGRIC. COOPERATING	
DWN BY: LM	CHECKED BY: LM
JULY 1968 NO 6032-B	SHEET 2 of 4

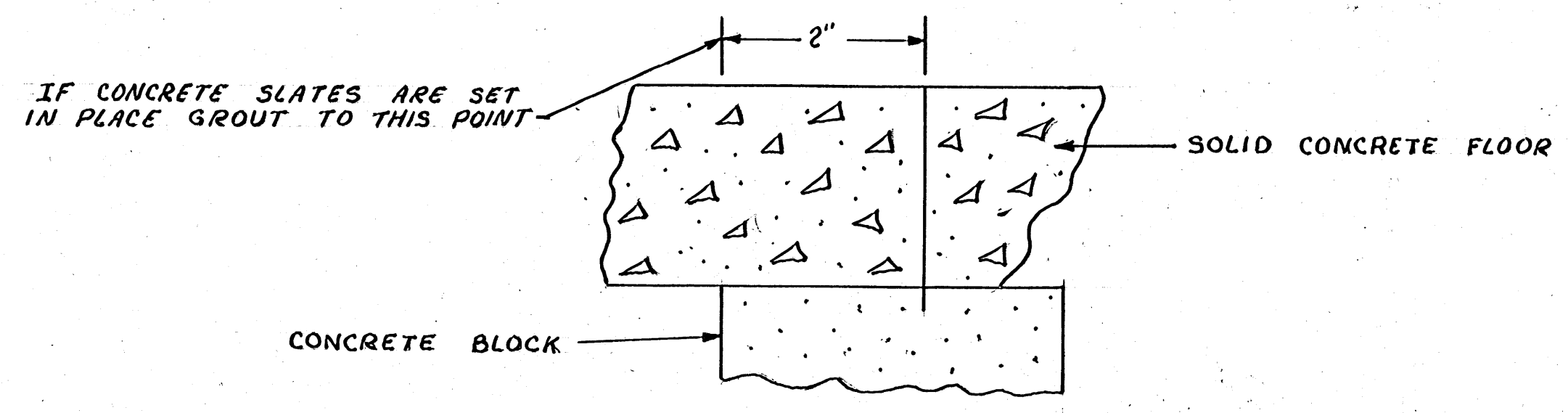


— SCHEMATIC DIAGRAM OF FAN NO. 2 —
TWO REQUIRED FOR WINTER VENTILATION

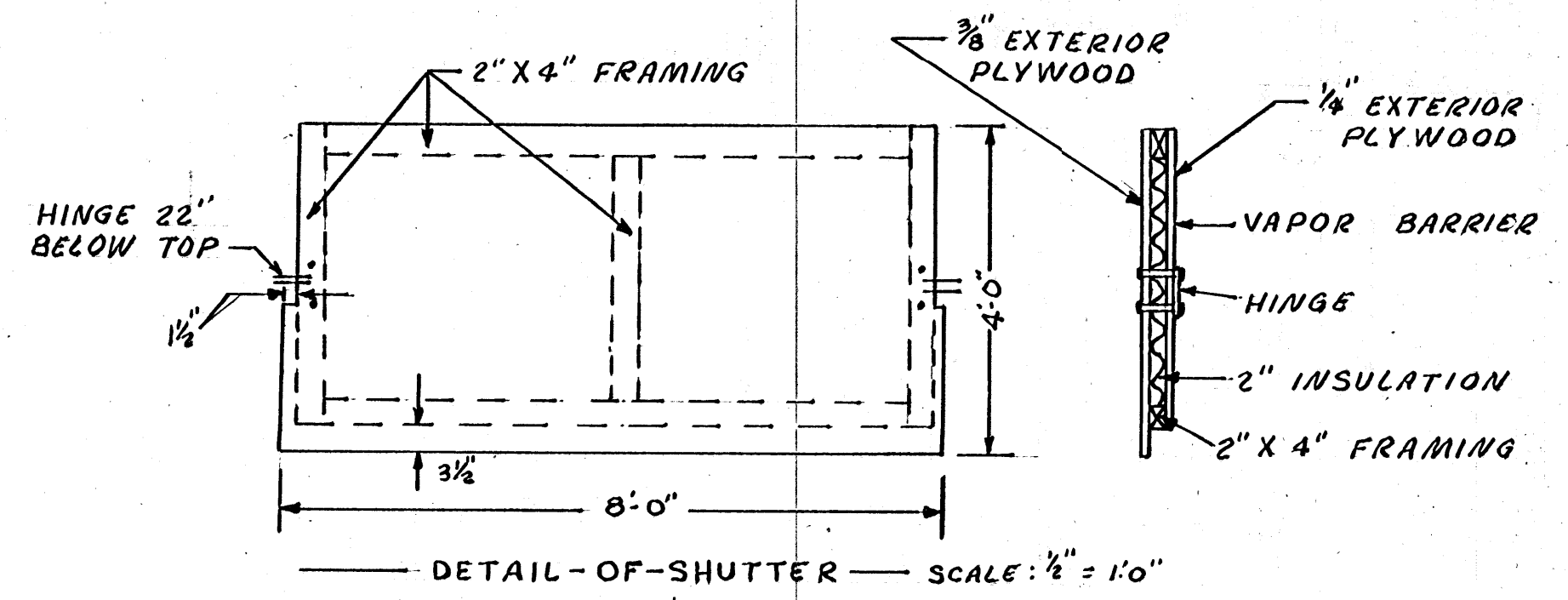
RELAY CONTACTOR, RATED TO CARRY
THE STARTING LOAD OF THREE FANS



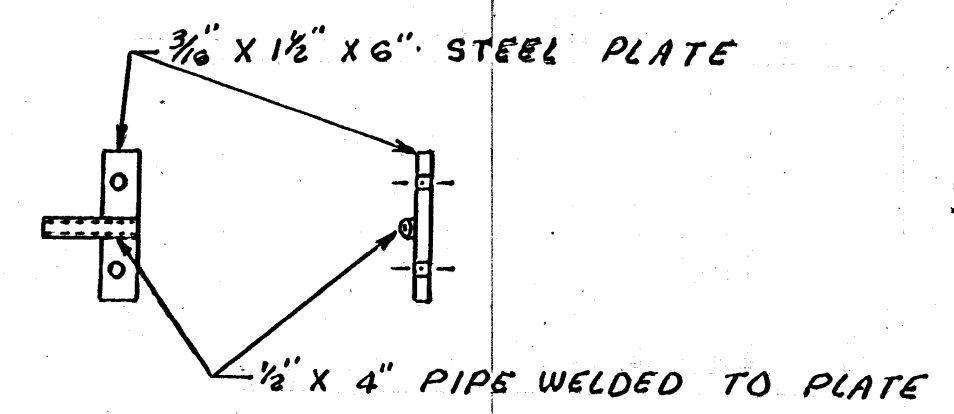
— SCHEMATIC DIAGRAM OF FAN NO. 1 —
THREE REQUIRED FOR SUMMER VENTILATION



— DETAIL SHOWING JOINT OF SLATS AND CONCRETE FLOOR —
UNSCALED



— DETAIL OF SHUTTER — SCALE: 1/2" = 1'-0"



— DETAIL OF SIDE DOOR HINGE — SCALE: 1/4" = 1'-0"

20 SOW EXPANDED METAL SLATTED FLOOR FARROWING BUILDING		
COOPERATIVE EXTENSION SERVICE, STATE OF MISS. MISS. STATE UNIV. AND U.S. DEPT. OF AGRIC COOPERATING		
DWN BY: E.A.	CHECKED BY: L.M.	
OCT 1960	NO. 6032-B	SHEET 4 OF 4