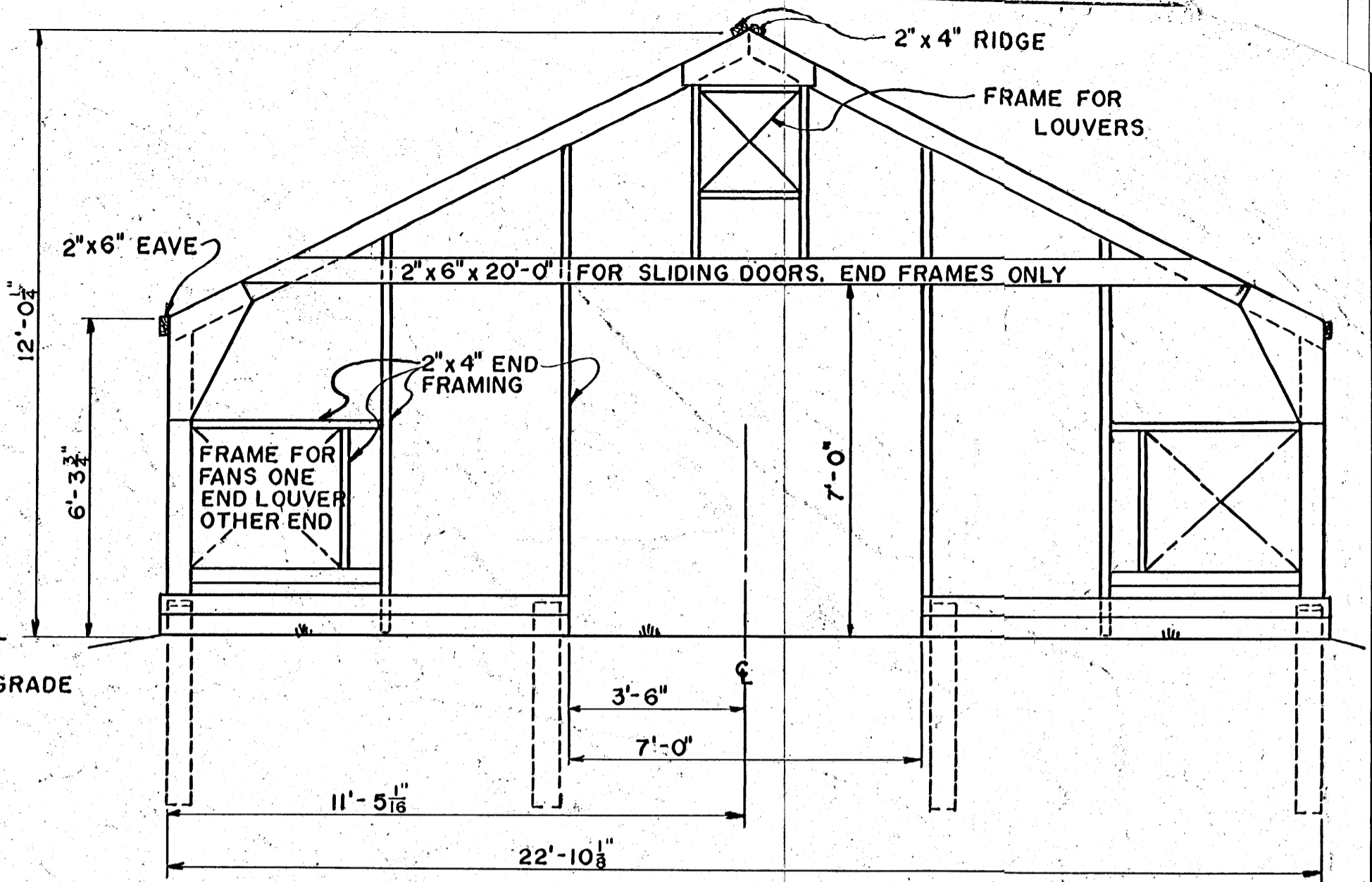
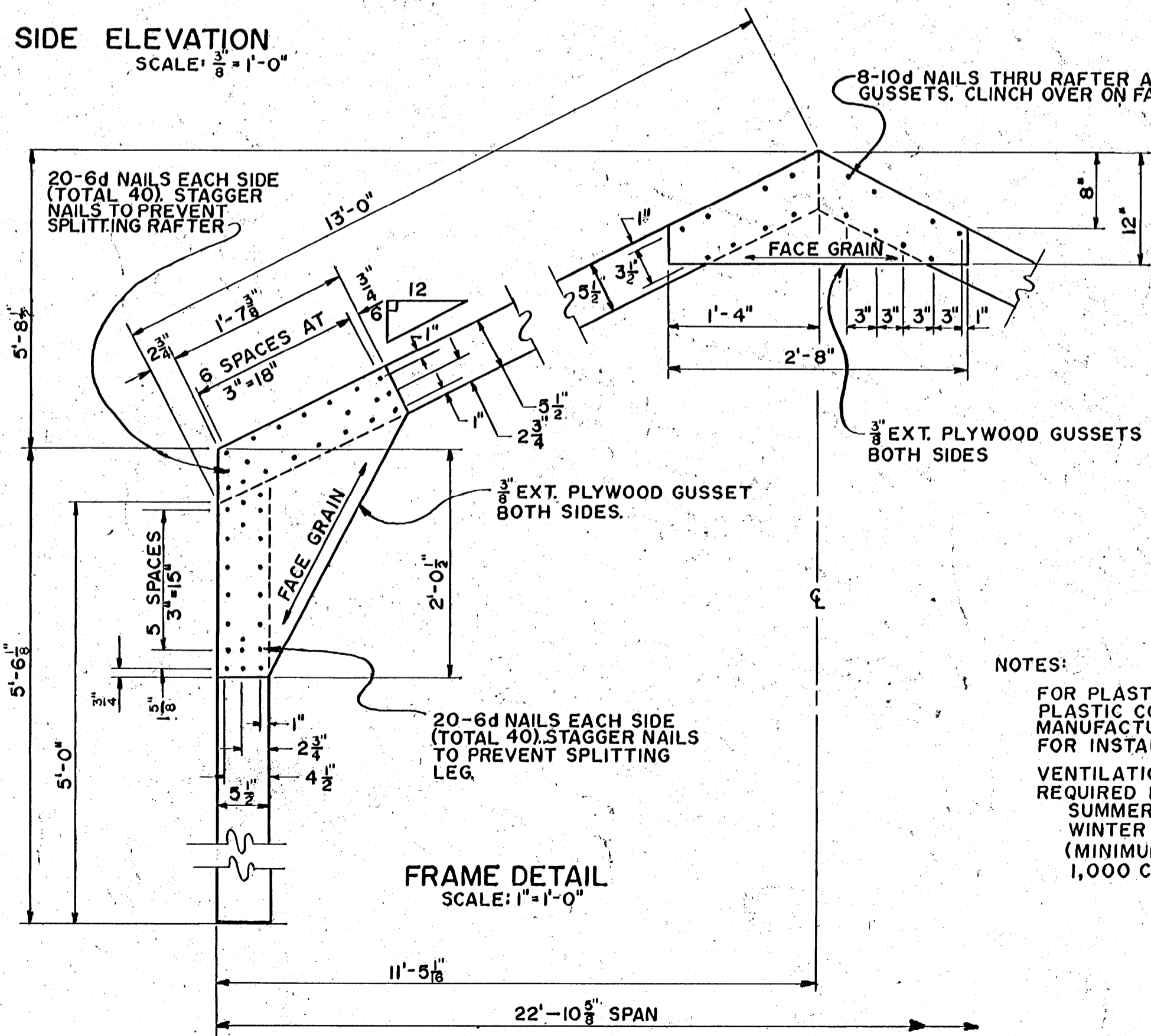


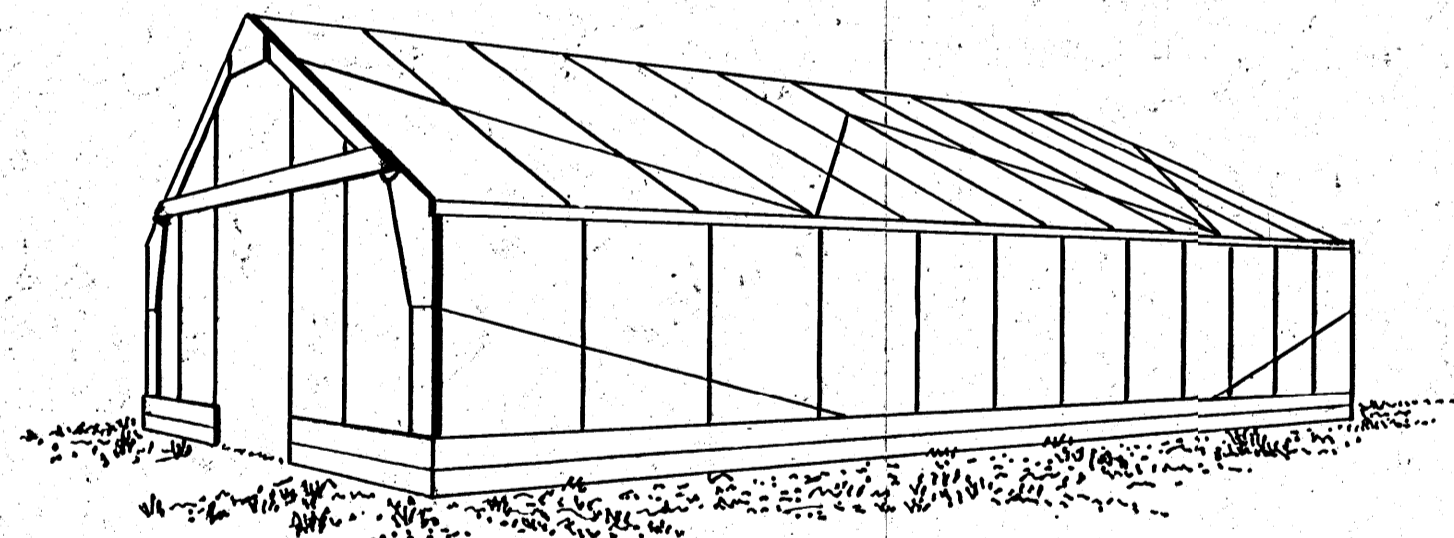
SIDE ELEVATION
SCALE: $\frac{3}{8} = 1'-0"$



END ELEVATION
SCALE: $\frac{3}{8} = 1'-0"$



FRAME DETAIL
SCALE: $1" = 1'-0"$



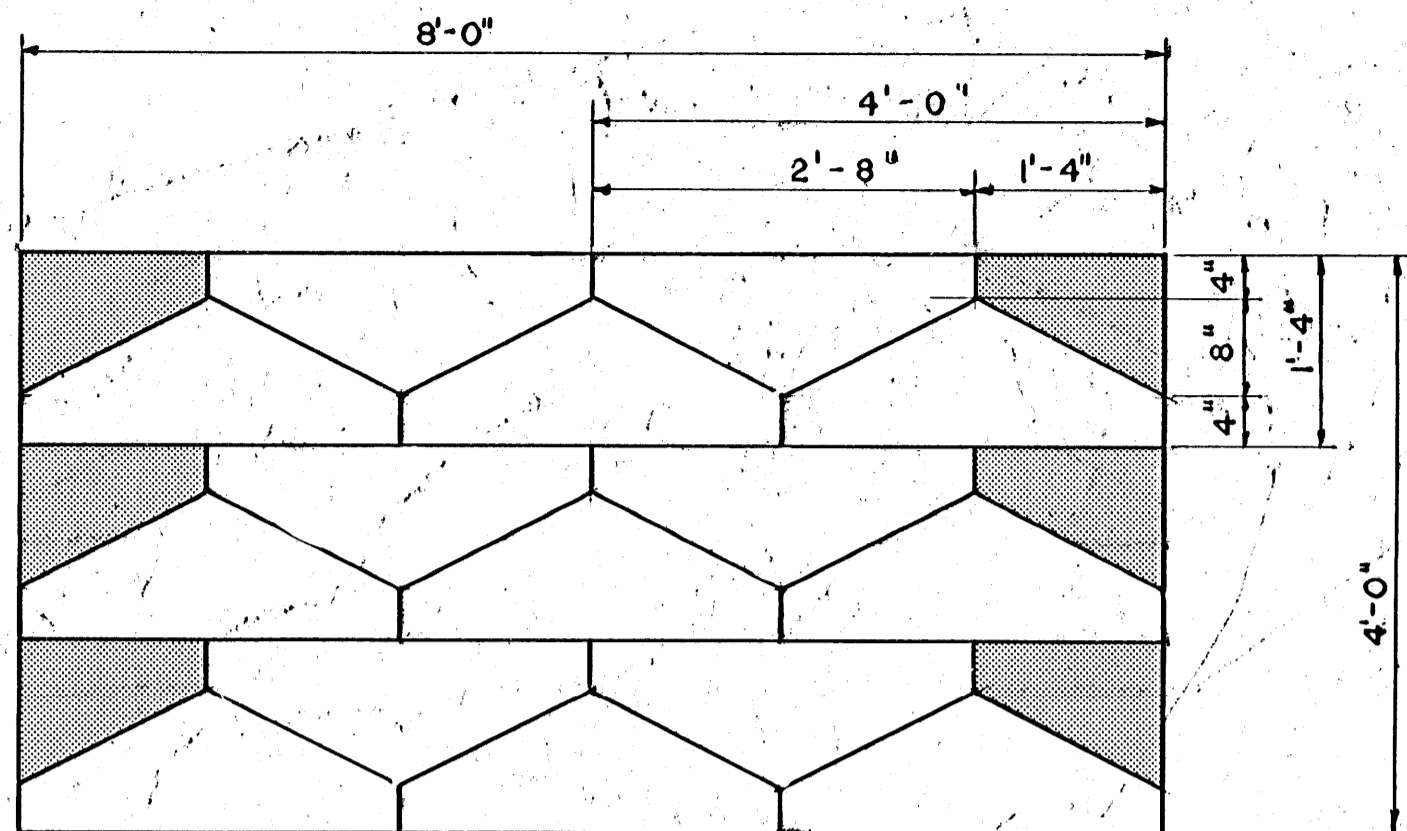
PERSPECTIVE

NOTES:

- FOR PLASTIC FILM AND RIGID PLASTIC COVERING FOLLOW MANUFACTURER'S DIRECTIONS FOR INSTALLATION.
- VENTILATION AND HEATING REQUIRED FOR 23' x 48' HOUSE:
SUMMER VENTILATION - 10,000 CFM
WINTER VENTILATION - 660 CFM
(MINIMUM AIR INTAKE - ONE SQ. FT. PER 1,000 CFM)

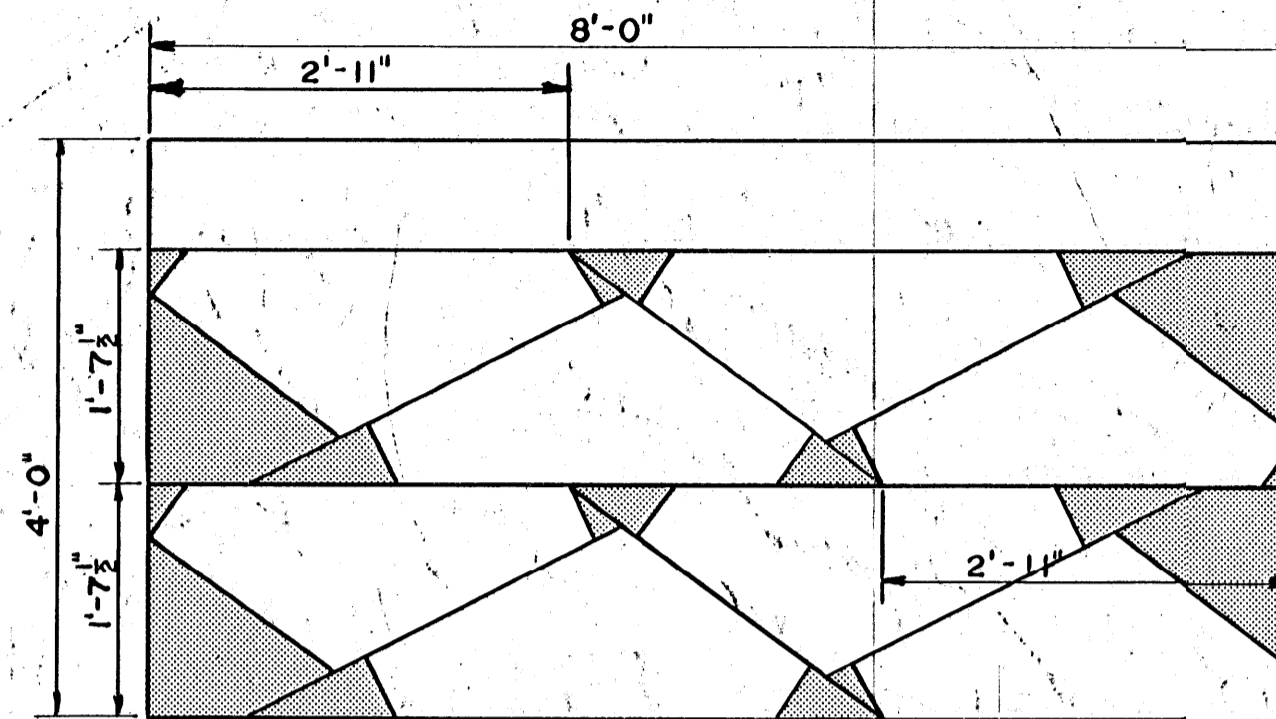
NOTE: BASED ON N.J. PLAN NO. 139

COOPERATIVE EXTENSION WORK IN AGRICULTURE AND HOME ECONOMICS		
STATE OF MISSISSIPPI		
MISSISSIPPI STATE UNIVERSITY		
UNITED STATES DEPARTMENT OF AGRICULTURE COOPERATING		
GREENHOUSE FRAMING		
N.J. - '67	EX. 6029	SHEET 1 OF 2



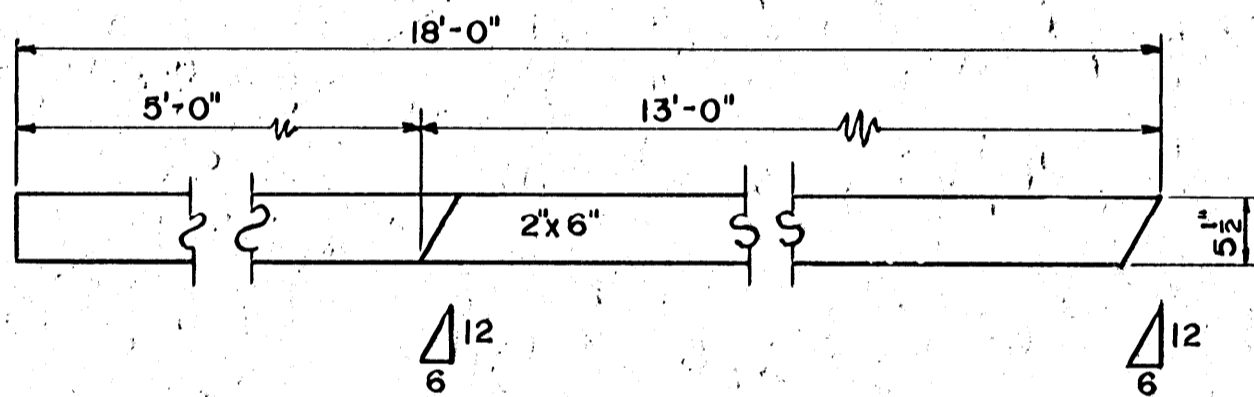
CROWN GUSSET CUTTING DIAGRAM

SCALE: $\frac{3}{4}'' = 1'-0''$



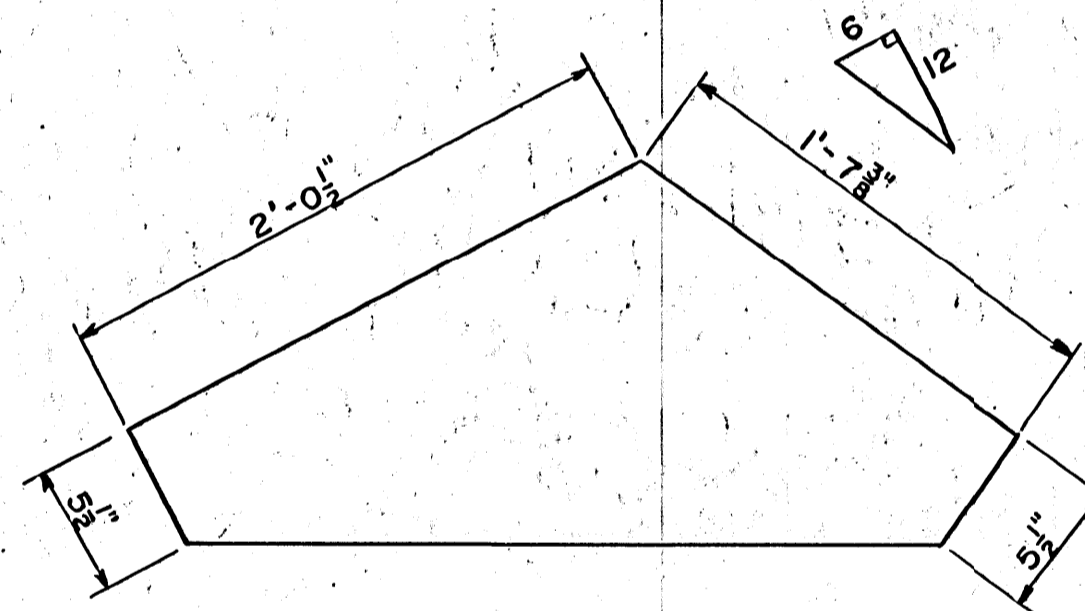
$\frac{3}{8}''$ EXTERIOR-TYPE PLYWOOD, GRADE C-C
EAVE GUSSET CUTTING DIAGRAM

SCALE: $\frac{3}{4}'' = 1'-0''$



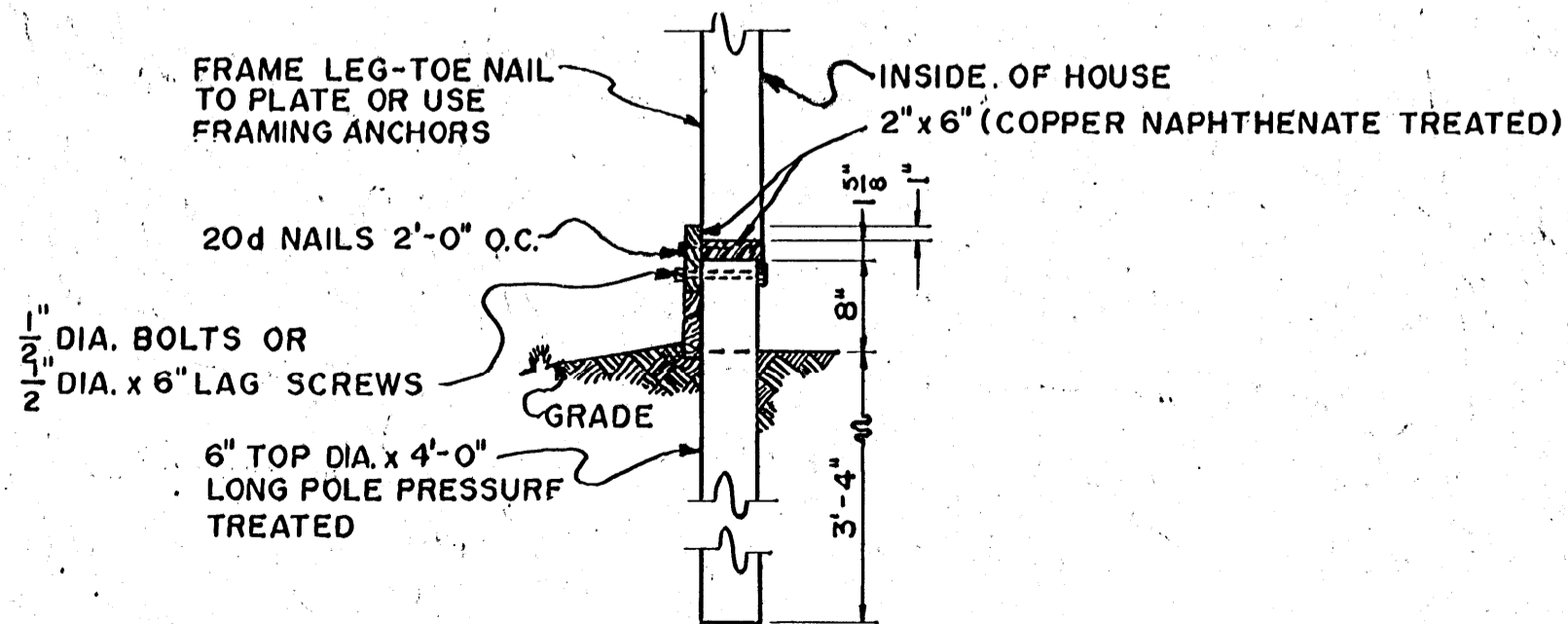
LEG AND RAFTER DETAIL

SCALE: $\frac{3}{4}'' = 1'-0''$



EAVE GUSSET TEMPLATE

SCALE: $1\frac{1}{2}'' = 1'-0''$



POLE FOUNDATION

SCALE: $\frac{3}{4}'' = 1'-0''$

COOPERATIVE EXTENSION WORK IN
AGRICULTURE AND HOME ECONOMICS
STATE OF MISSISSIPPI
MISSISSIPPI STATE UNIVERSITY
AND
UNITED STATES DEPARTMENT OF AGRICULTURE COOPERATING

GREENHOUSE FRAMING

N.J. - '67 EX. 6029 SHEET 2 OF 2