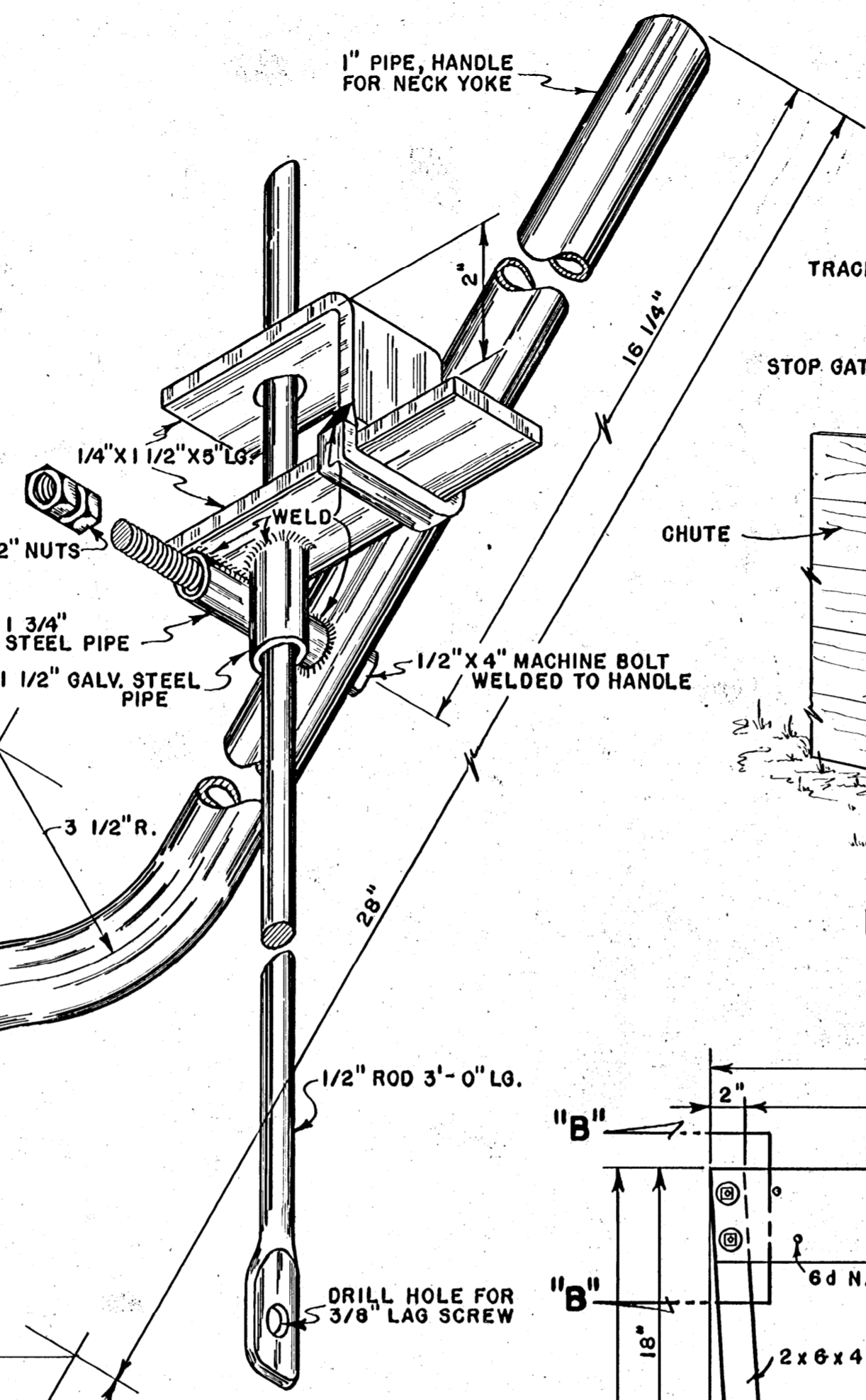
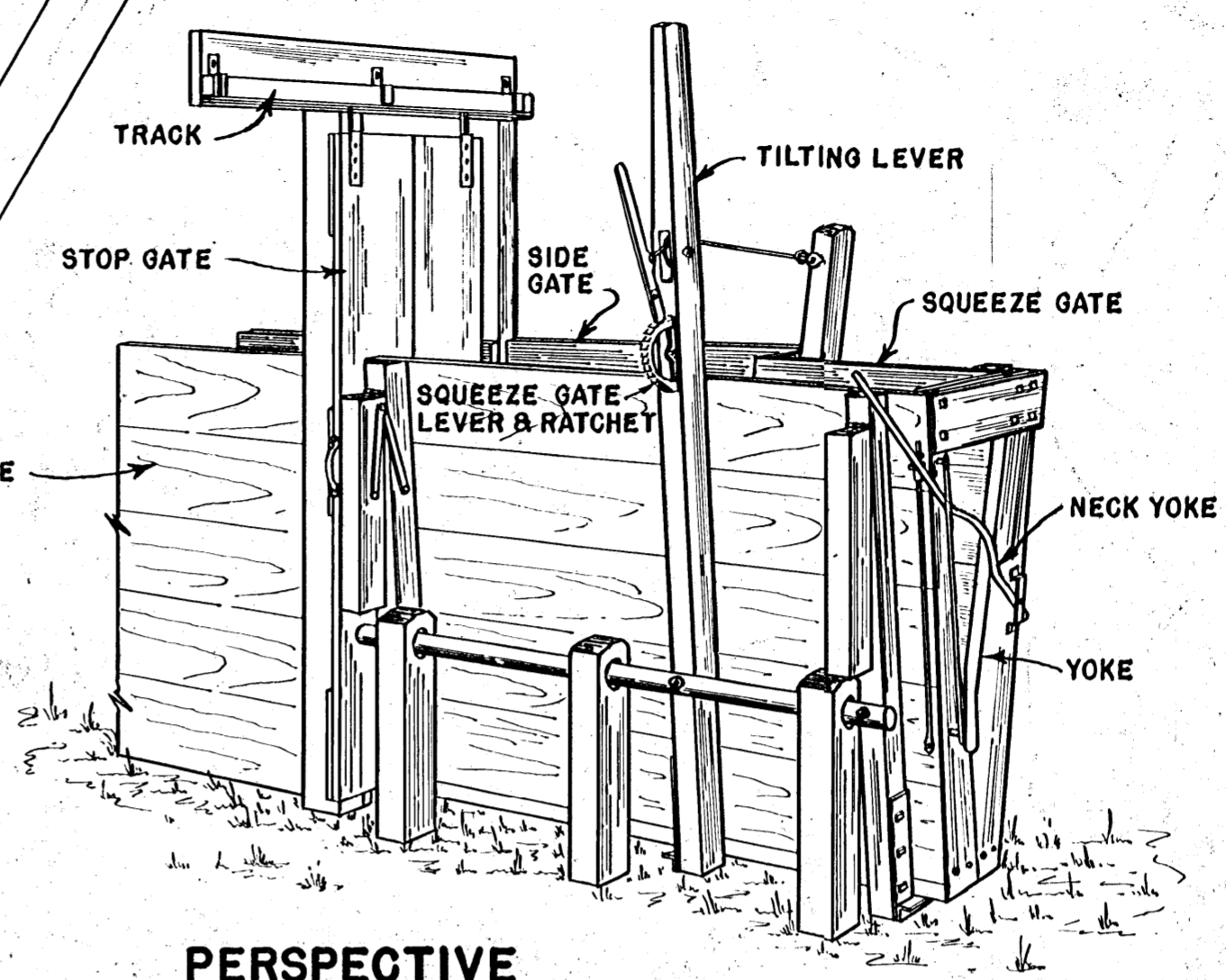


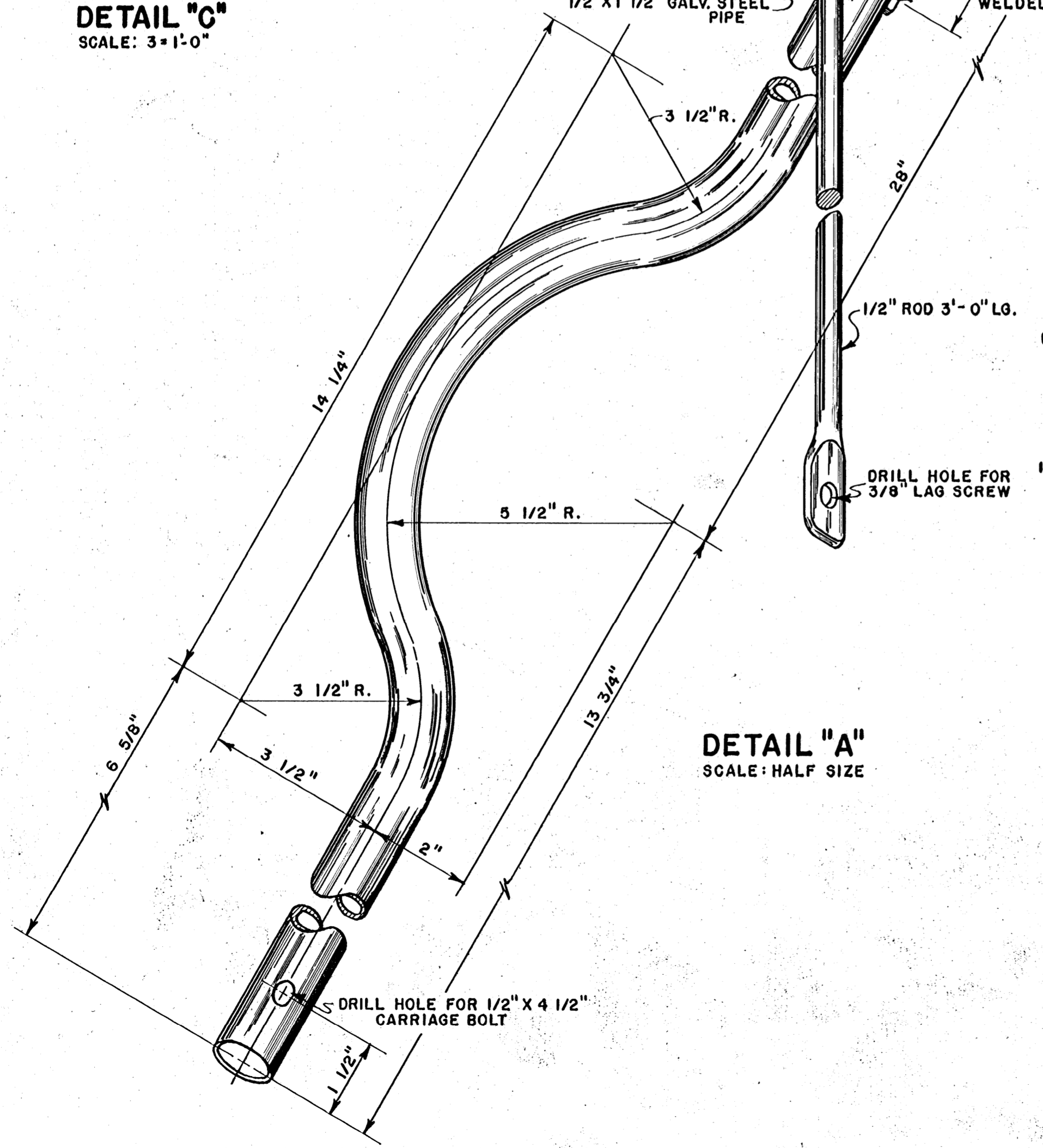
**DETAIL "C"**  
SCALE: 3" = 1'-0"



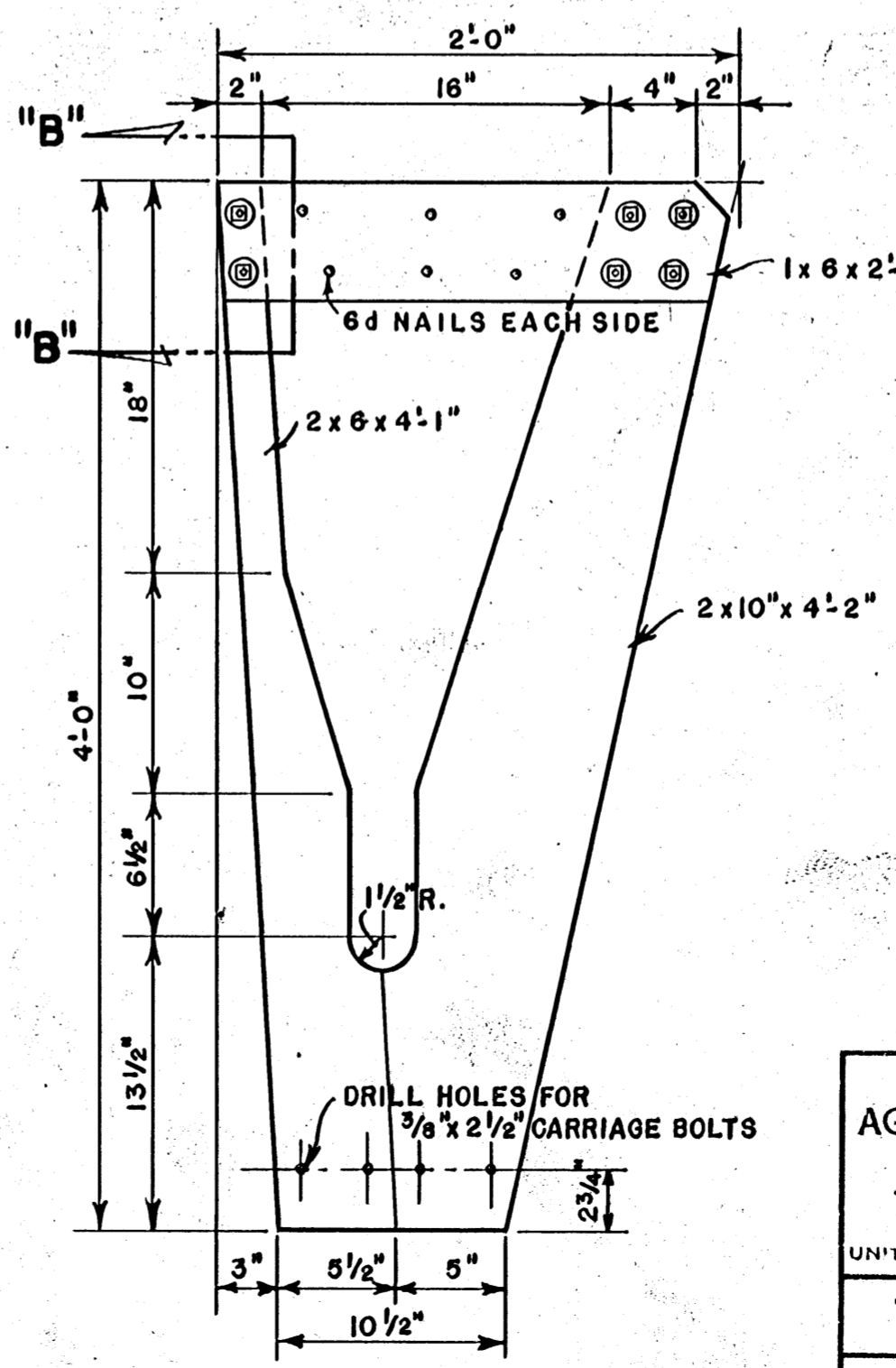
**DETAIL "A"**  
SCALE: HALF SIZE



**PERSPECTIVE**



**DETAIL "B"**  
SCALE: 1 1/2" = 1'-0"



**SECTION "B-B"**

COOPERATIVE EXTENSION WORK IN  
AGRICULTURE AND HOME ECONOMICS  
STATE OF MISSISSIPPI  
MISSISSIPPI STATE UNIVERSITY  
AND  
UNITED STATES DEPARTMENT OF AGRICULTURE COOPERATING

**TILTING CALF TABLE**

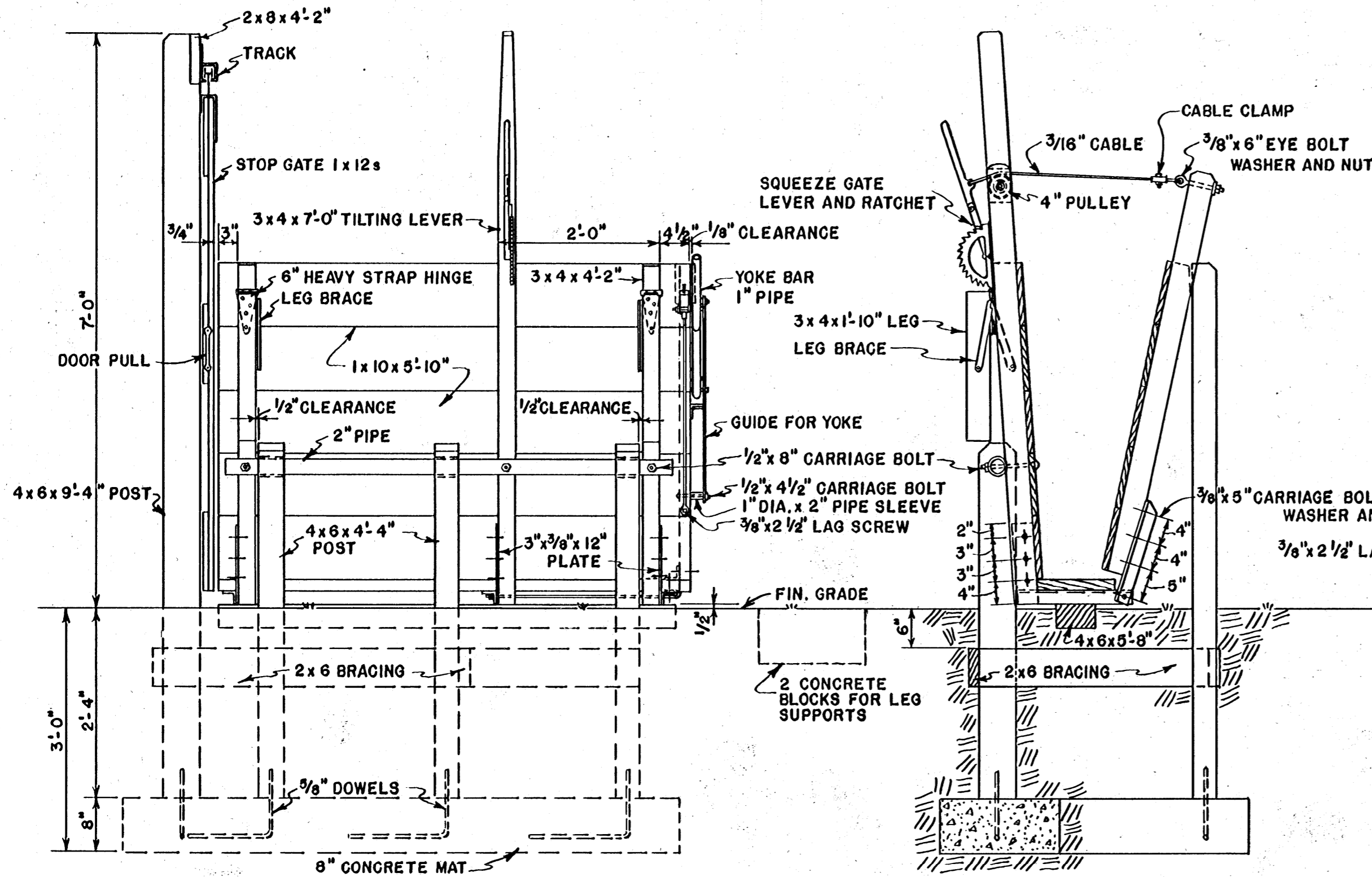
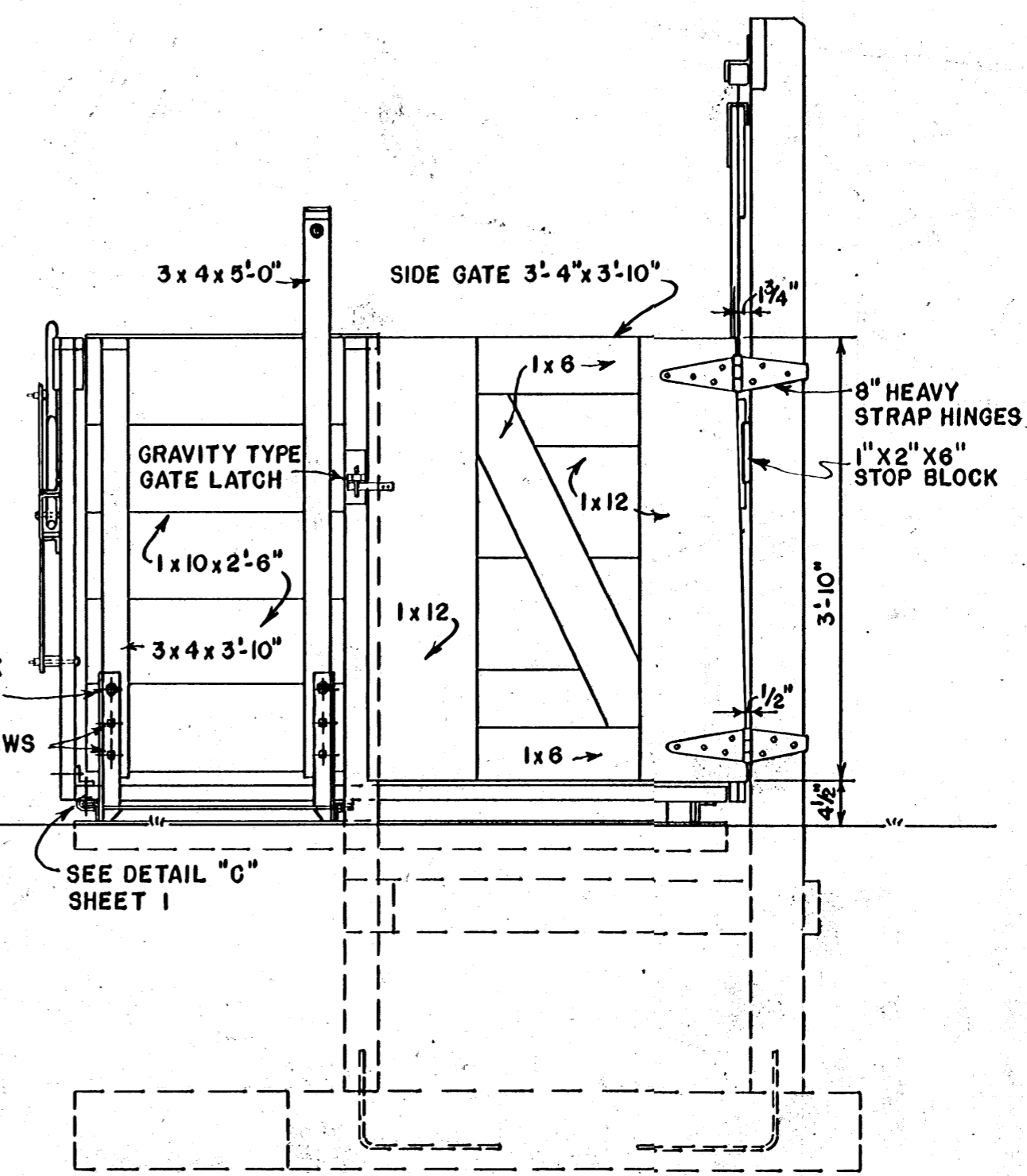
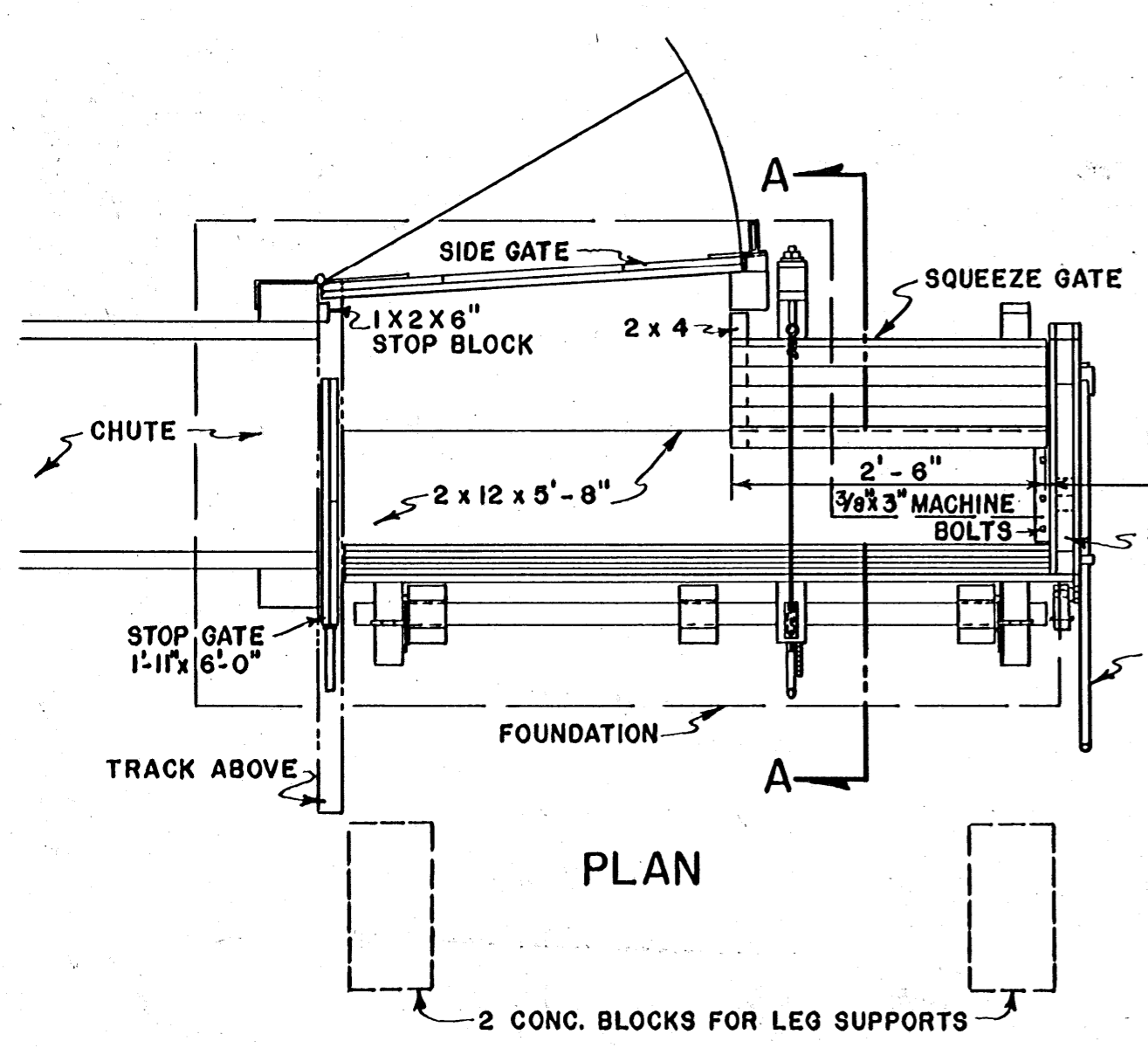


TABLE SIDE

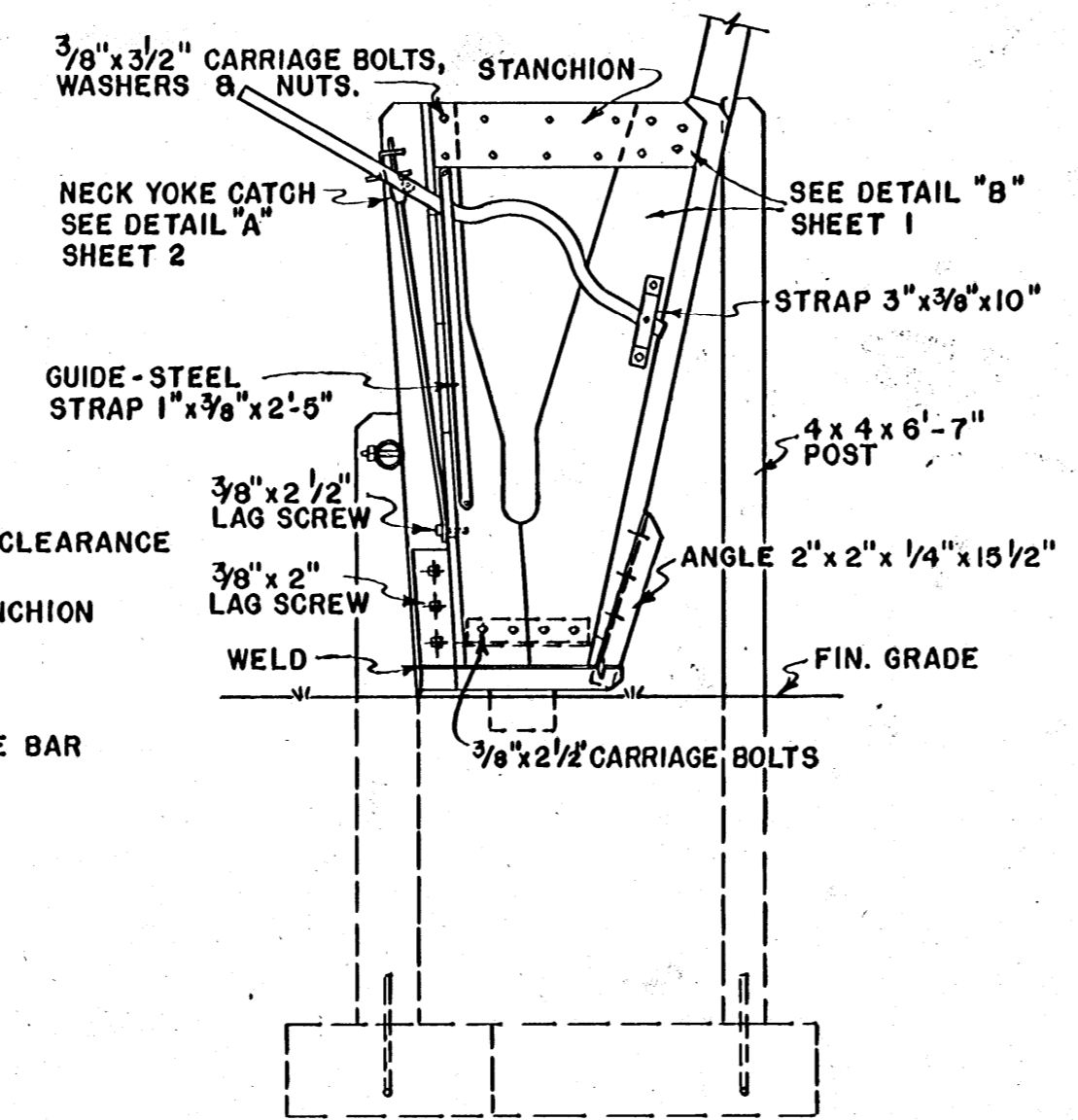
SECTION A-A



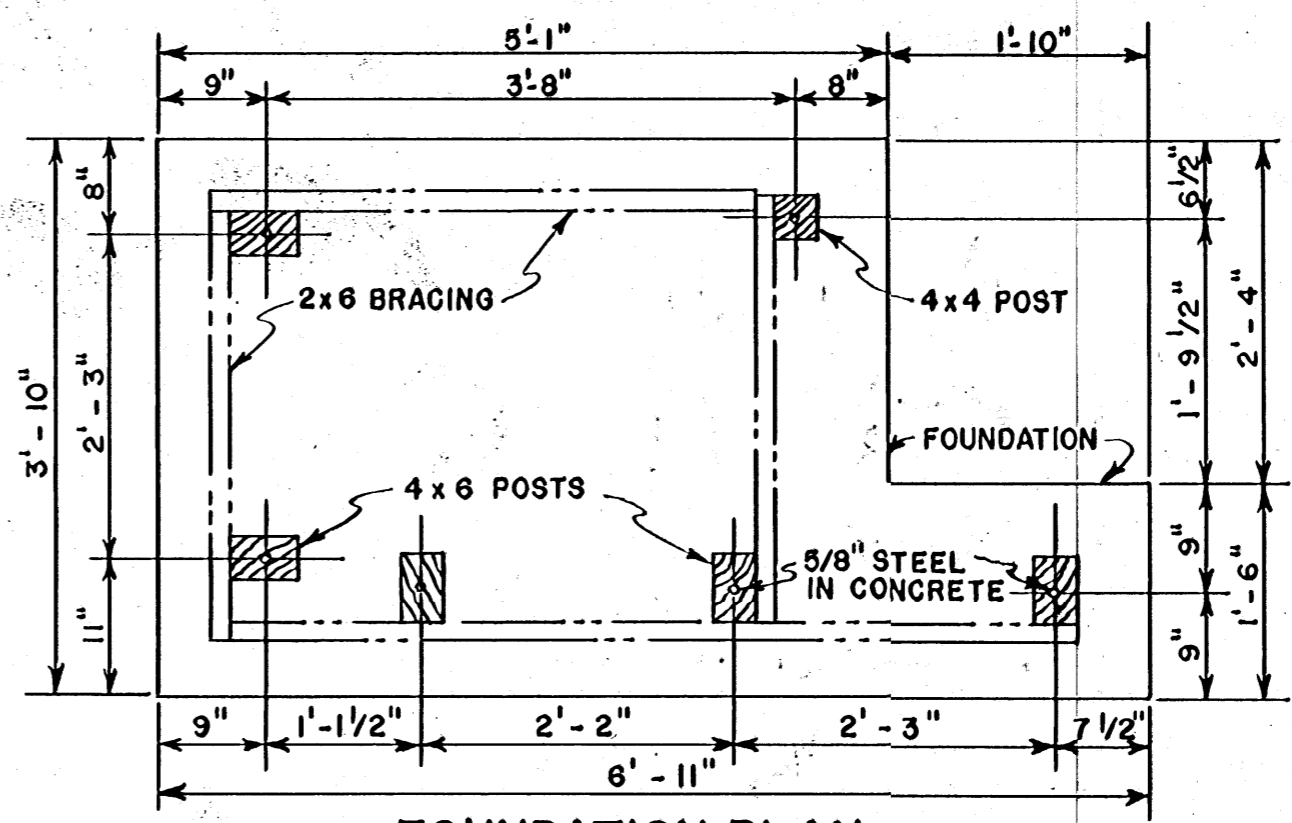
GATE SIDE



PLAN



YOKE END



FOUNDATION PLAN

NOTE: SCALE 3/4" = 1'-0"  
THRU-OUT UNLESS OTHERWISE NOTED.  
ALL WOOD IN CONTACT WITH THE  
GROUND SHOULD BE PRESSURE-  
TREATED WITH PRESERVATIVE  
(AFTER CUTTING) TO 8LBS. PER CU.  
FT. RETENTION.  
BASED ON MONT. PLAN C-201

COOPERATIVE EXTENSION WORK IN  
AGRICULTURE AND HOME ECONOMICS  
STATE OF MISSISSIPPI  
MISSISSIPPI STATE UNIVERSITY  
AND  
UNITED STATES DEPARTMENT OF AGRICULTURE COOPERATING

**TILTING CALF TABLE**

USDA '64 EX. 5962 SHEET 2 OF 2