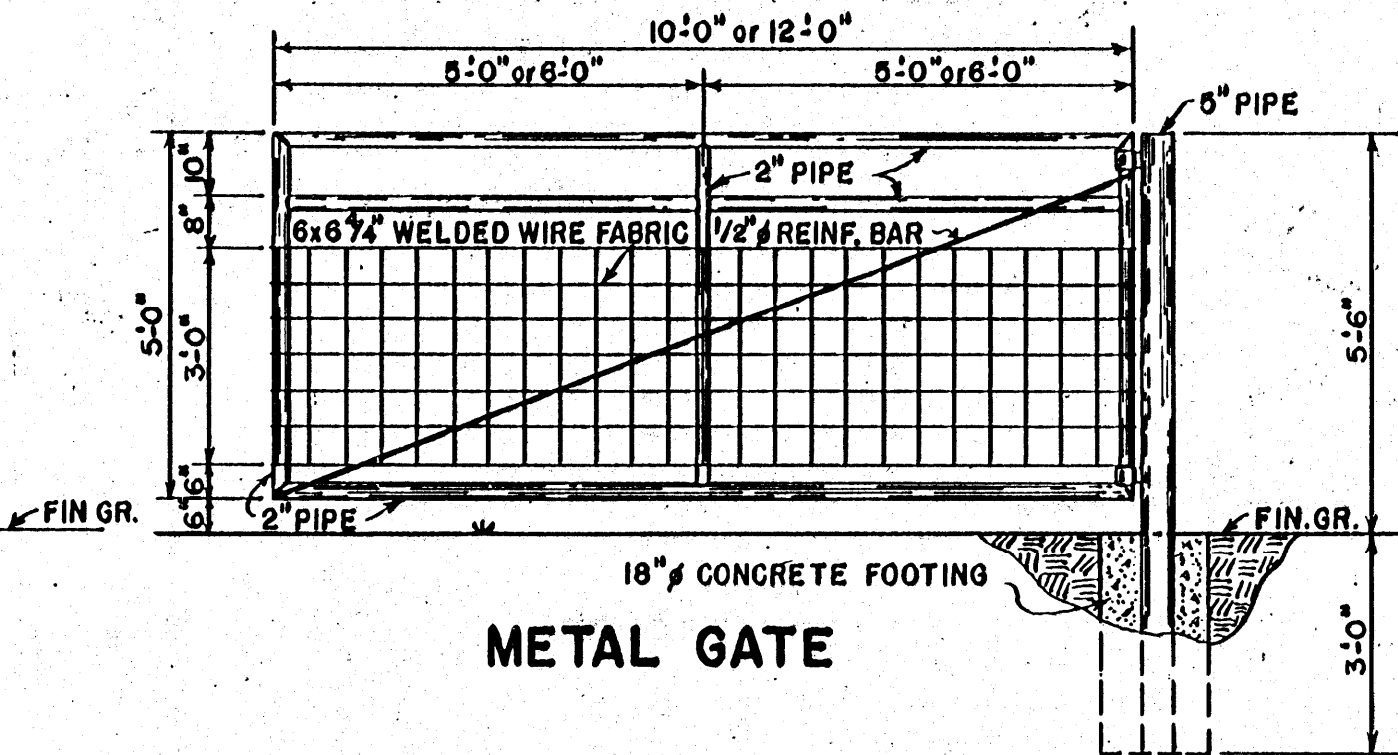
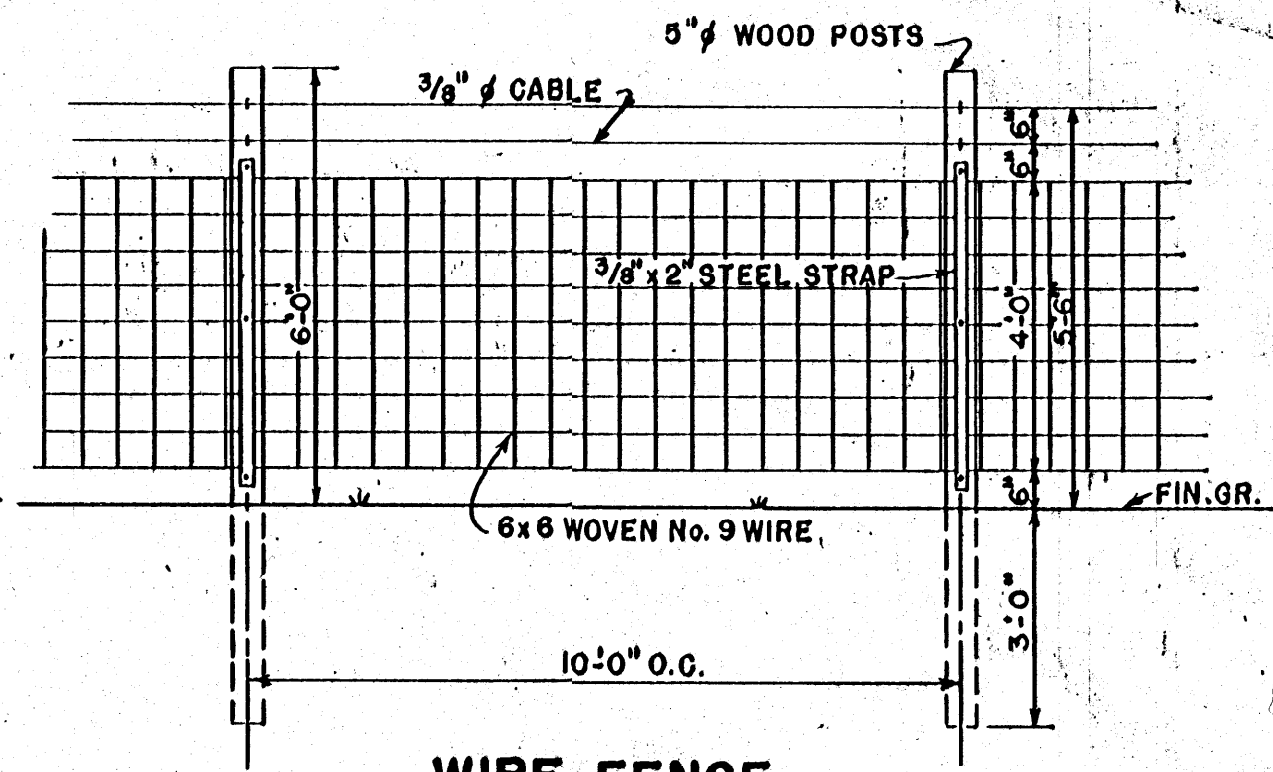


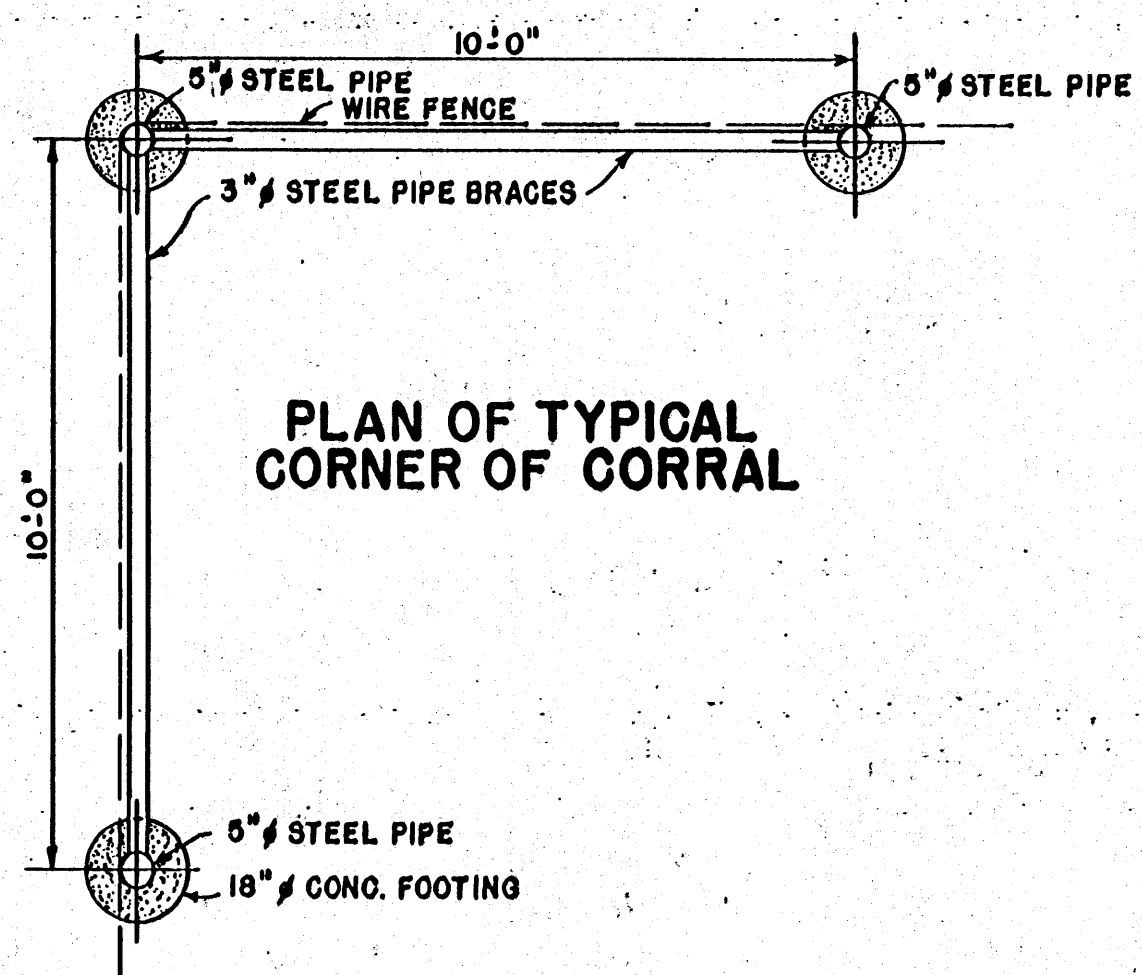
**ELEVATION OF FENCING
TYPICAL CORNER**



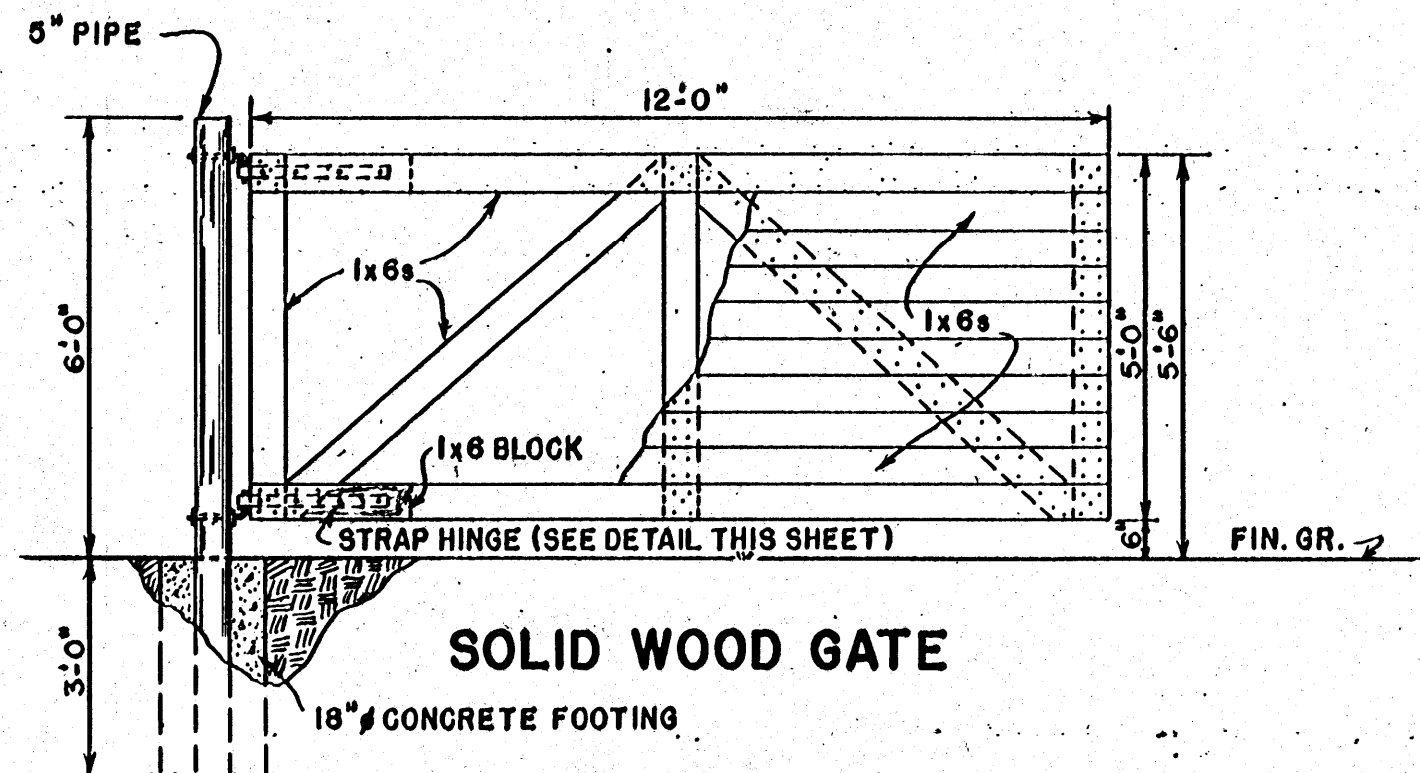
METAL GATE



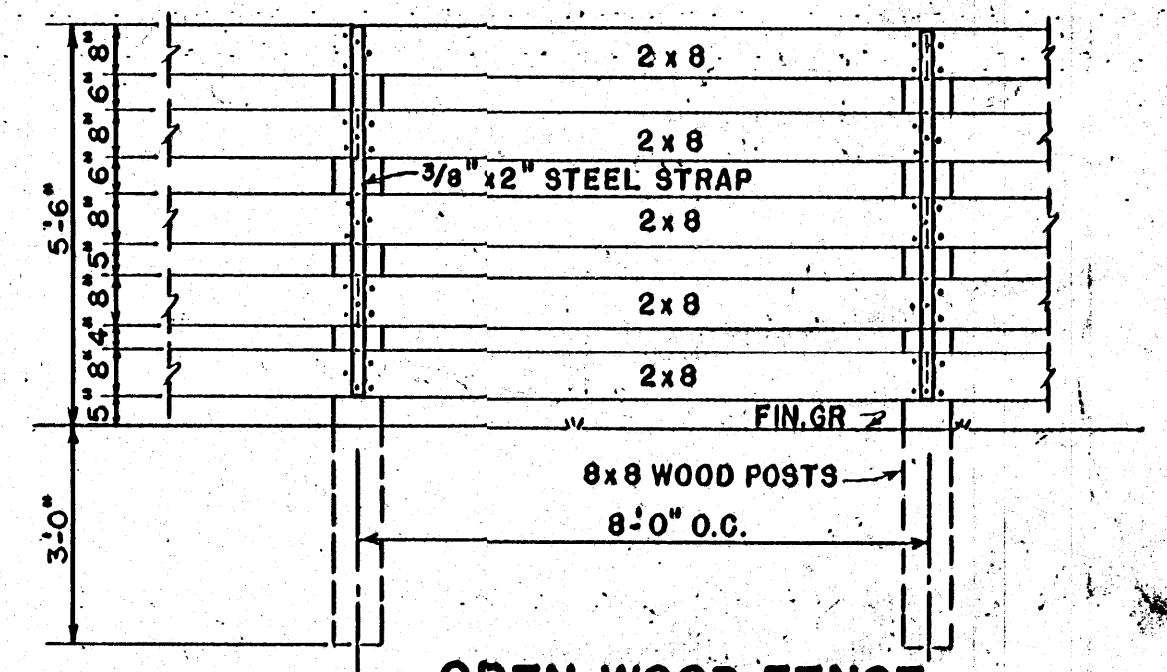
WIRE FENCE



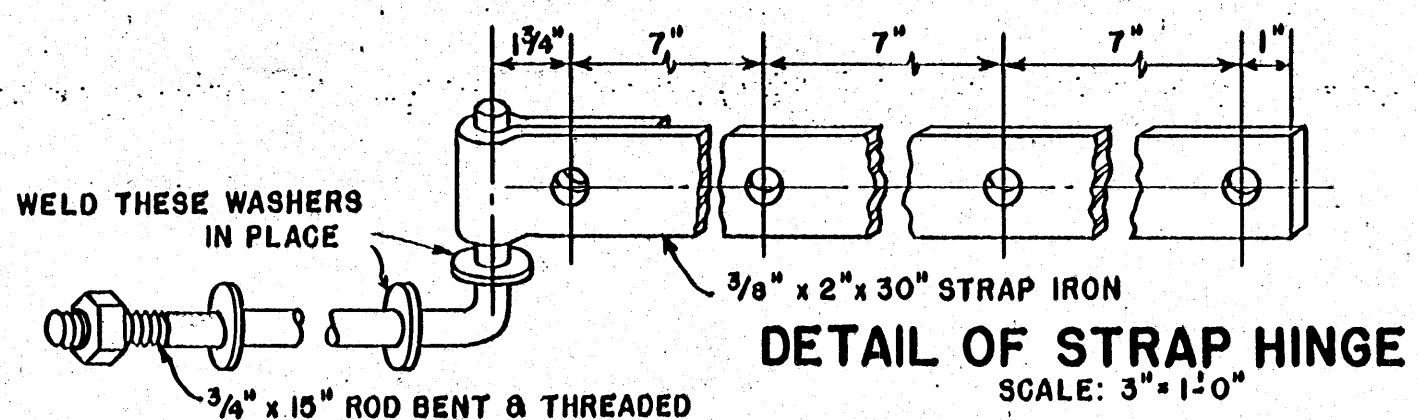
**PLAN OF TYPICAL
CORNER OF CORRAL**



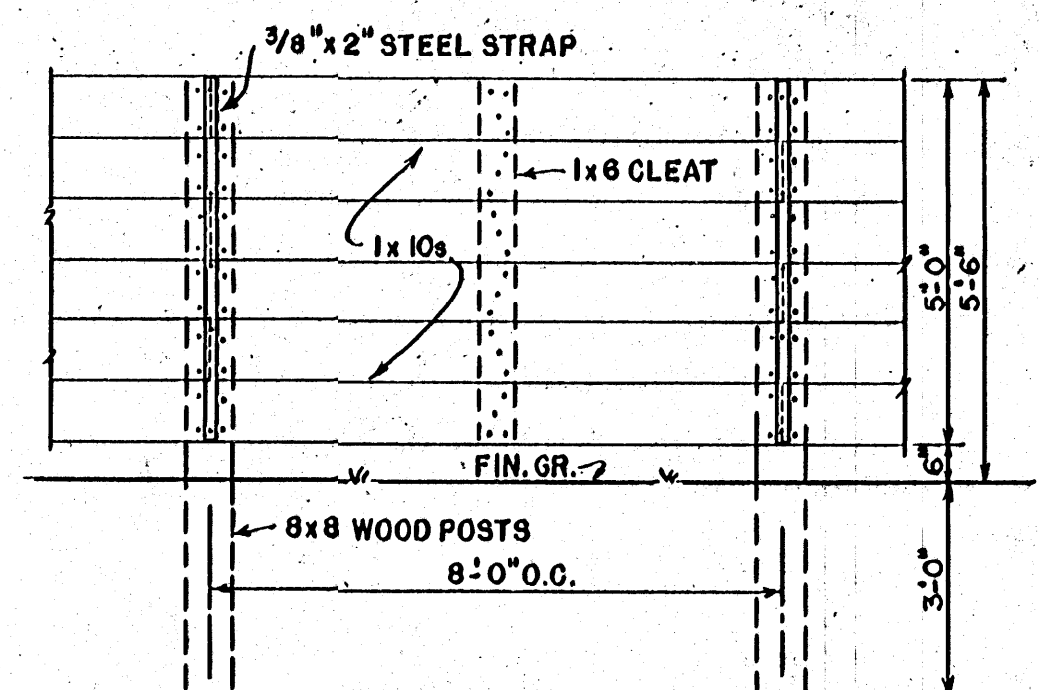
SOLID WOOD GATE



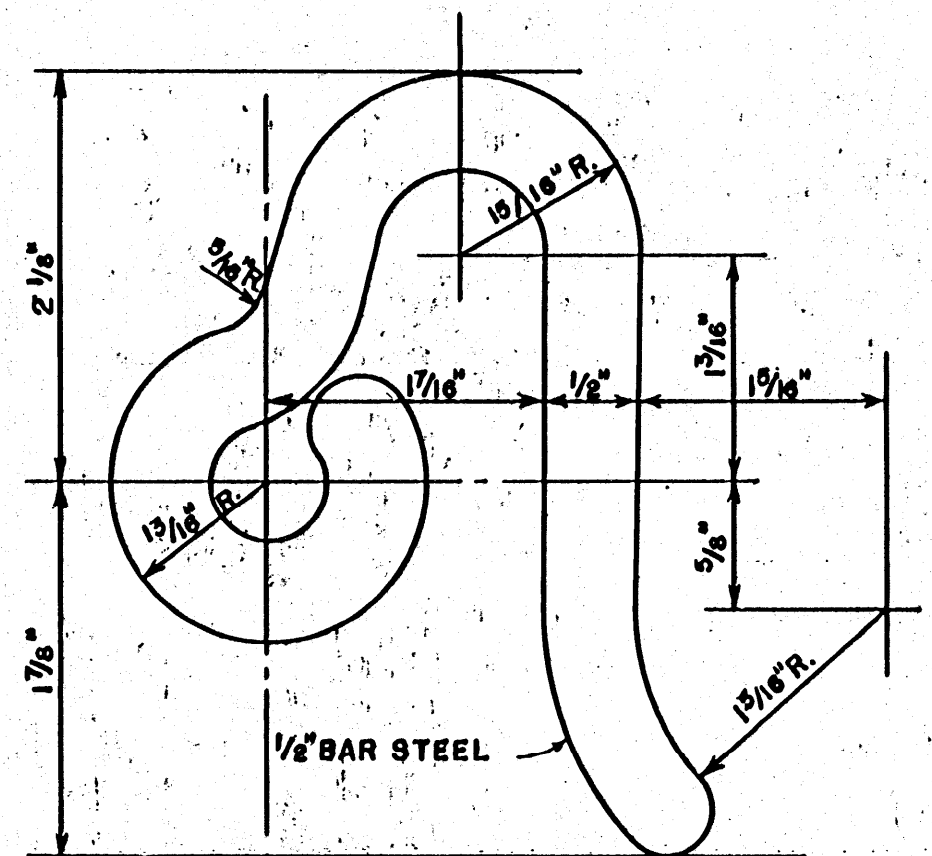
OPEN WOOD FENCE



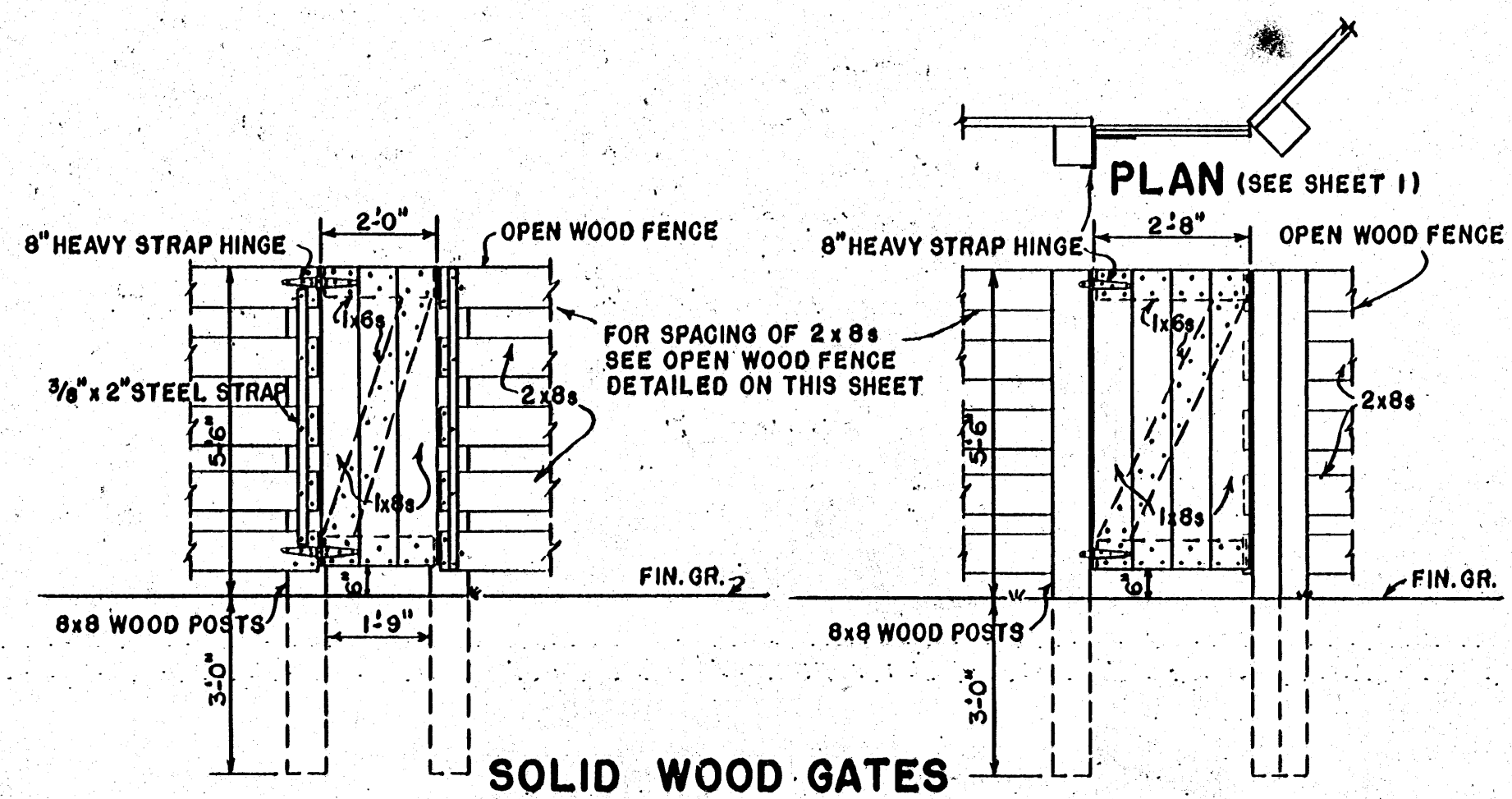
DETAIL OF STRAP HINGE



SOLID WOOD FENCE



GATE HOOK
SCALE: FULL SIZE



SOLID WOOD GATES

SCALE: 3/8" = 1'-0" UNLESS OTHERWISE NOTED.
 COOPERATIVE EXTENSION WORK IN
 AGRICULTURE AND HOME ECONOMICS
 STATE OF MISSISSIPPI
 MISSISSIPPI STATE UNIVERSITY
 AND
 UNITED STATES DEPARTMENT OF AGRICULTURE COOPERATING
**GATES AND FENCES
 FOR STOCK CORRALS**
 USDA '63 EX. 5961 SHEET 1 OF 1