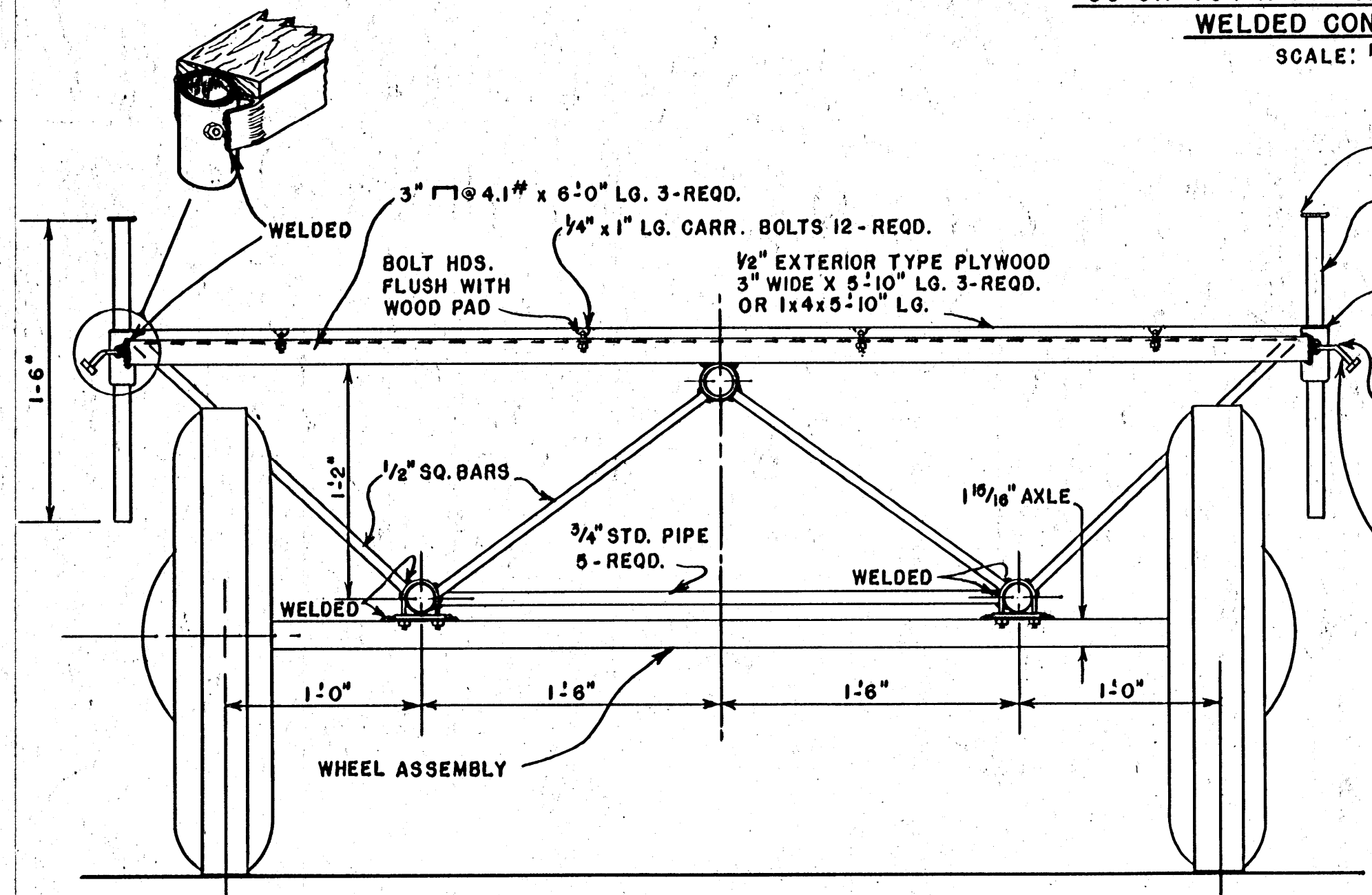


**PLAN**

**ELEVATION**

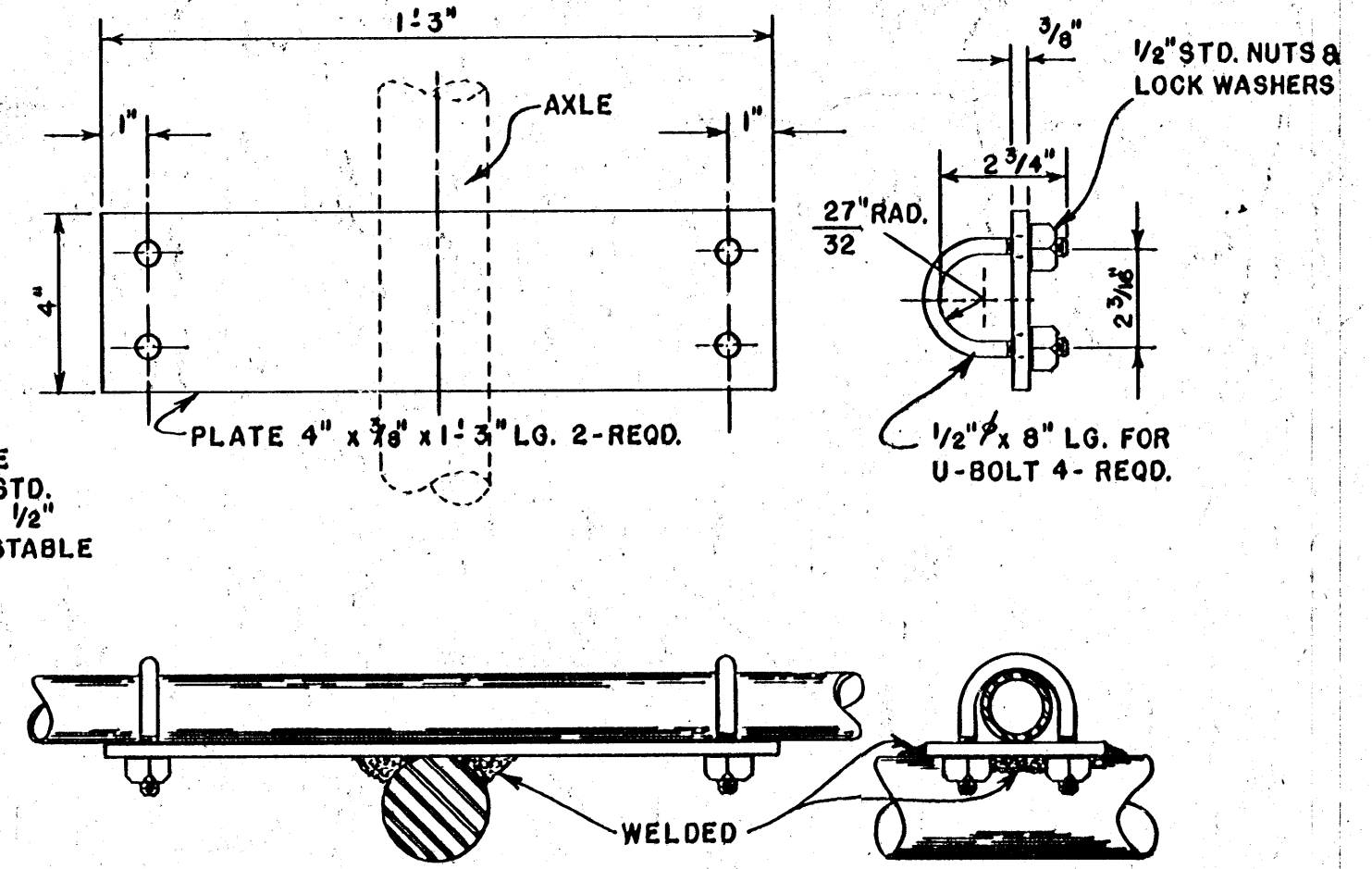
**30 OR 40 FT. IRRIGATION PIPE TRAILER  
WELDED CONSTRUCTION**

SCALE: 1/2" = 1'-0"



**SECTION A-A**

SCALE 1/2" = 1'-0"



**AXLE BRACKETS**

SCALE: 3" = 1'-0"

COOPERATIVE EXTENSION WORK IN  
AGRICULTURE AND HOME ECONOMICS

STATE OF MISSISSIPPI  
MISSISSIPPI STATE UNIVERSITY  
AND  
UNITED STATES DEPARTMENT OF AGRICULTURE COOPERATING

**IRRIGATION PIPE TRAILER**  
FOR 30 OR 40 FT. ALUM. PIPE

ORE. '62 EX. 5942 SHEET 1 OF 1